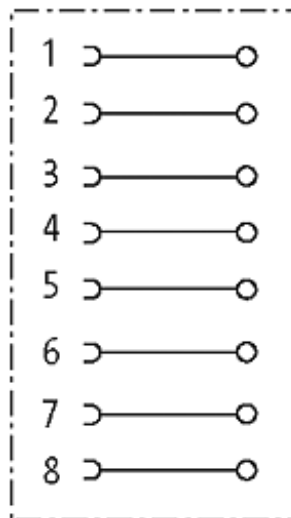
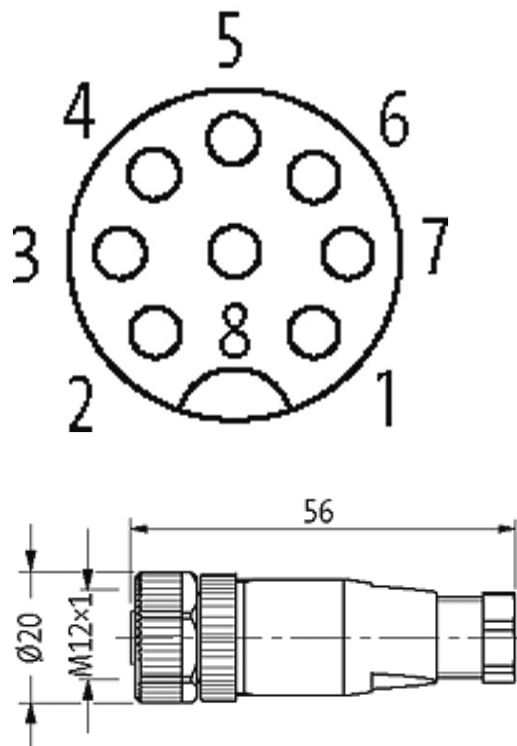


**M12 FEMALE 0° FIELD-WIREABLE SCREW TERM.**8-pol. max.0.5mm<sup>2</sup> 6-8mm

Plastic housings with good resistance against chemicals and oils. The resistance to aggressive media should be individually tested for your application. Further details on request.

[Link to Product](#)**Illustration**

# Female



Product may differ from Image

## Form

Form 17321

## Technical Data

Operating voltage	max. 60 V AC/DC
Operating current per contact	max. 2 A
Connection cross section	max. 0.5 mm <sup>2</sup>
Sealing range (cable Ø)	6...8 mm
Locking of ports	Screw thread M12 × 1 mm (recommended torque 0.6 Nm) self-securing
Protection	IP65 and IP67 when plugged and screwed down (EN 60529)

## General data

Temperature range -25...+85 °C

## Commercial data

country of origin	DE
customs tariff number	85369010
EAN	4048879195331
eClass	27279221
minimum order quantity	1