

Product Information



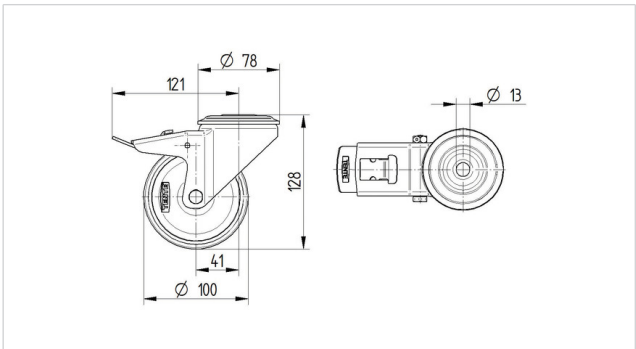
3470UFR100P30-13 (Blue)

EAN 4031582423259

Swivel castor, housing made of pressed steel, bright zinc plated, blue passivated, double ball bearing swivel head, wheel axle with nut, bolt hole. Wheel centre made of Polyamide, Tread: elastic-tyre, non-marking, roller bearing

Technical Data	
Wheel diameter	100 mm
Width of Tread	34 mm
Centre hole	13 mm
Offset	41 mm
Swivel Interference	182 mm
Overall height	128 mm
Temperature	- 20 / + 80 °C
Standard	EN 12532
Weight	0.869 kg
Swivel Radius	91 mm
Hardness of tread	Shore A 64
Load capacity	160 kg
Load capacity (static)	320 kg

Roll performance	+	+	+	+	+
Movement noise	+	+	+	+	+
Attrition	+	+	+	+	+
Corrosion resistance	+	+	+	+	+



Product Information



3470UFR100P30-13 (Blue)

EAN 4031582423259

