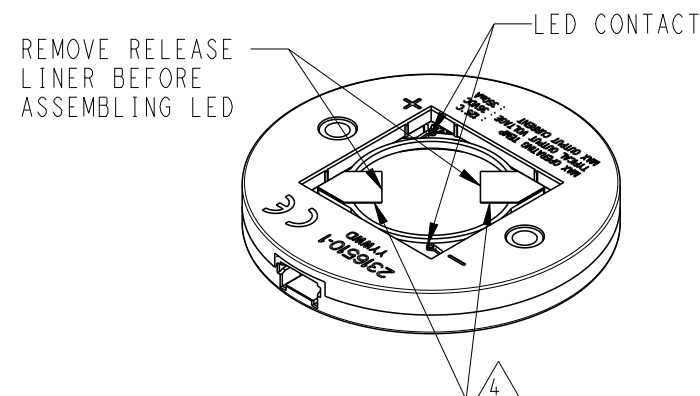
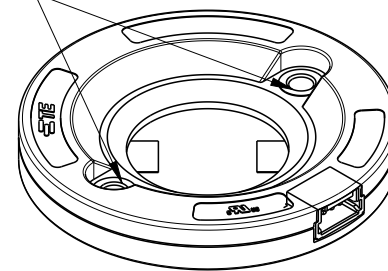
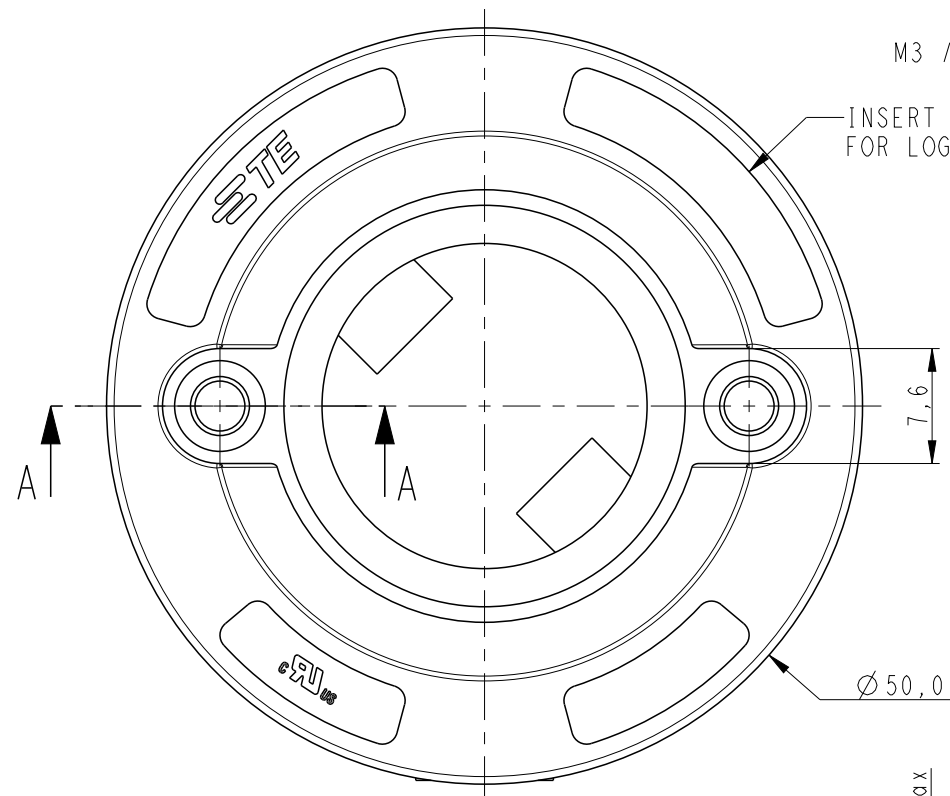


REVISIONS

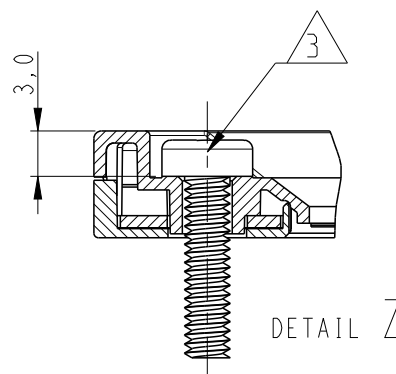
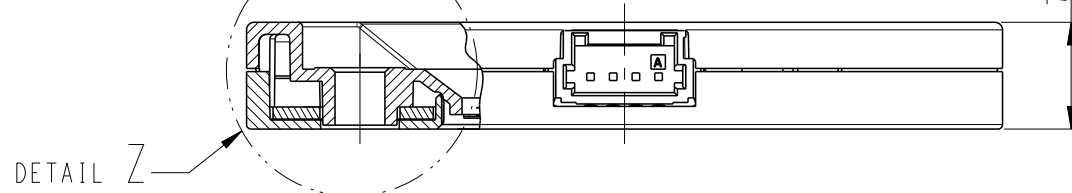
| P | LTR | DESCRIPTION             | DATE      | DWN | APVD |
|---|-----|-------------------------|-----------|-----|------|
| A |     | RELEASED FOR PRODUCTION | 06OCT2017 | RK  | MZ   |

NOTES:

- MATERIALS:  
HOUSING: GLASS FILLED PBT, HALOGEN FREE FLAME RETARDANT  
COLOR : NATURAL  
CONTACTS: GOLD PLATED COPPER ALLOY
- PRODUCT COMPLIES WITH RESTRICTION ON HAZARDOUS SUBSTANCES DIRECTIVE 2011/65/EU
- SCREW TO BE USED - PAN HEAD M3, #4-40, LENGTH 12mm MIN. RECOMMENDED SCREW TORQUE: 0.4 - 0.6 Nm
- LED RETENTION ON 2 CORNERS WITH DOUBLE SIDED ADHESIVE TAPE.
- MATING CONNECTOR TE PART NO: 353908-4 OR 6-353908-4
- DIMENSIONS SHOWN ARE IN MATED POSITION WITH LED
- SEE SHEET 3 FOR RECOMMENDED PIN LAYOUT & ADDITIONAL INFORMATION
- ELECTRICAL RATINGS:  
- USE WITH A 48V DC CONSTANT VOLTAGE CLASS 2 POWER SUPPLY, ±10% TOLERANCE  
- LED FORWARD VOLTAGE HAVE THE FOLLOWING RANGE: 21 - 41VDC

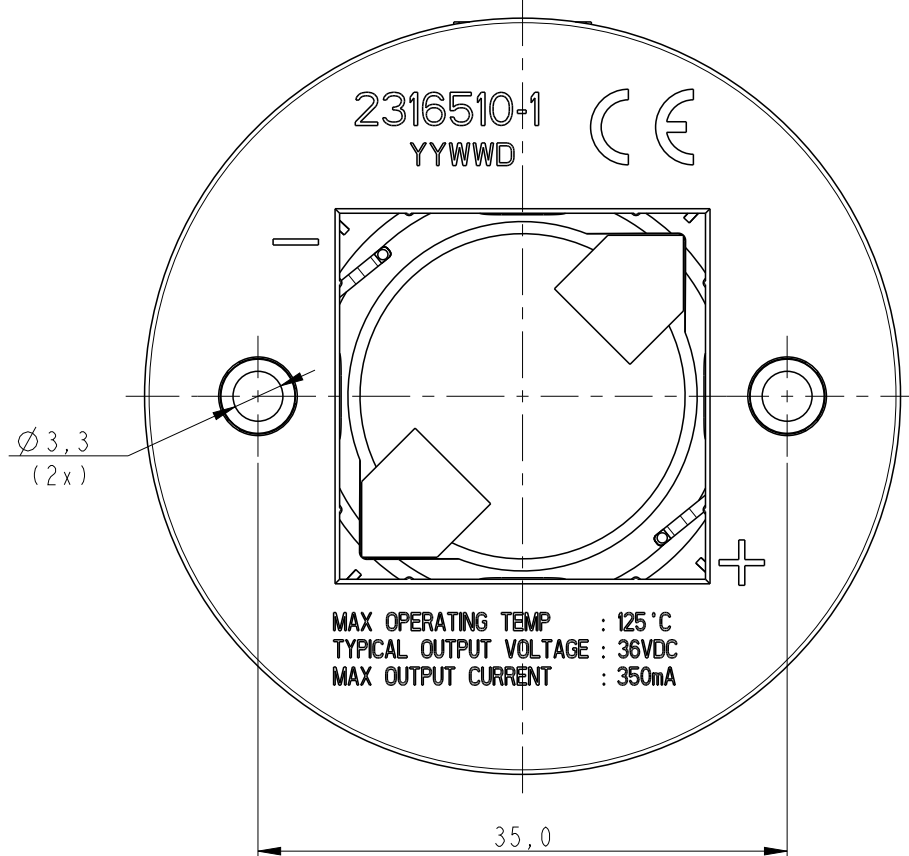


SECTION A-A



PRODUCT DATA SHEET I-1773935-6  
FOR ADDITIONAL INFORMATION

| CURRENT (mA) | LED TYPE | DESCRIPTION          | WEIGHT (g) | PART NO     |
|--------------|----------|----------------------|------------|-------------|
| 1050         | 16 x 19  | 0-10 V, 1.05A, 16x19 | 9.56       | 3-2316510-4 |
|              | 19 x 19  | 0-10 V, 1.05A, 19x19 | 9.46       | 3-2316510-3 |
|              | 20 x 24  | 0-10 V, 1.05A, 20x24 | 9.41       | 3-2316510-2 |
|              | 24 x 24  | 0-10 V, 1.05A, 24x24 | 9.17       | 3-2316510-1 |
| 700          | 16 x 19  | 0-10 V, 0.7A, 16x19  | 9.56       | 2-2316510-4 |
|              | 19 x 19  | 0-10 V, 0.7A, 19x19  | 9.46       | 2-2316510-3 |
|              | 20 x 24  | 0-10 V, 0.7A, 20x24  | 9.41       | 2-2316510-2 |
|              | 24 x 24  | 0-10 V, 0.7A, 24x24  | 9.17       | 2-2316510-1 |
| 500          | 16 x 19  | 0-10 V, 0.5A, 16x19  | 9.56       | 1-2316510-4 |
|              | 19 x 19  | 0-10 V, 0.5A, 19x19  | 9.46       | 1-2316510-3 |
|              | 20 x 24  | 0-10 V, 0.5A, 20x24  | 9.41       | 1-2316510-2 |
|              | 24 x 24  | 0-10 V, 0.5A, 24x24  | 9.17       | 1-2316510-1 |
| 350          | 16 x 19  | 0-10 V, 0.35A, 16x19 | 9.56       | 2316510-4   |
|              | 19 x 19  | 0-10 V, 0.35A, 19x19 | 9.46       | 2316510-3   |
|              | 20 x 24  | 0-10 V, 0.35A, 20x24 | 9.41       | 2316510-2   |
|              | 24 x 24  | 0-10 V, 0.35A, 24x24 | 9.17       | 2316510-1   |



MAX OPERATING TEMP : 125°C  
 TYPICAL OUTPUT VOLTAGE : 36VDC  
 MAX OUTPUT CURRENT : 350mA

THIS DRAWING IS A CONTROLLED DOCUMENT.

|                       |                                        |
|-----------------------|----------------------------------------|
| DIMENSIONS:<br>mm     | TOLERANCES UNLESS OTHERWISE SPECIFIED: |
|                       | 0 PLC ±-                               |
|                       | 1 PLC ±0.2                             |
|                       | 2 PLC ±0.1                             |
|                       | 3 PLC ±-                               |
|                       | 4 PLC ±-                               |
|                       | ANGLES ±-                              |
| MATERIAL<br>SEE NOTES | FINISH<br>-                            |

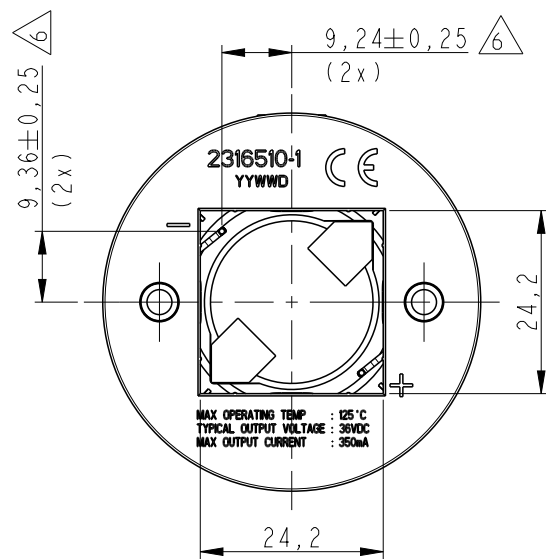
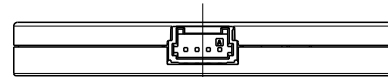
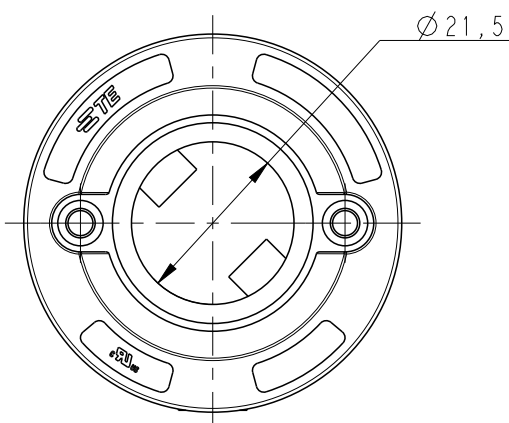
|                  |            |
|------------------|------------|
| DWN              | 07MAR2017  |
| RAGHAVENDRA.K    |            |
| CHK              | 07MAR2017  |
| P.PETER          |            |
| APVD             | 07MAR2017  |
| O.IFIJNSE        |            |
| PRODUCT SPEC     | 108-133086 |
| APPLICATION SPEC | 114-133086 |
| WEIGHT           | -          |
| CUSTOMER DRAWING |            |

|                 |           |                                           |               |
|-----------------|-----------|-------------------------------------------|---------------|
| TE Connectivity |           | NAME                                      |               |
|                 |           | LUMAWISE DRIVE TYPE Z50<br>0-10 V VERSION |               |
| SIZE            | CAGE CODE | DRAWING NO                                | RESTRICTED TO |
| A3              | 00779     | C-2316510                                 | -             |
| SCALE           |           | SHEET                                     | REV           |
| 5:1             |           | 1 OF 4                                    | A             |

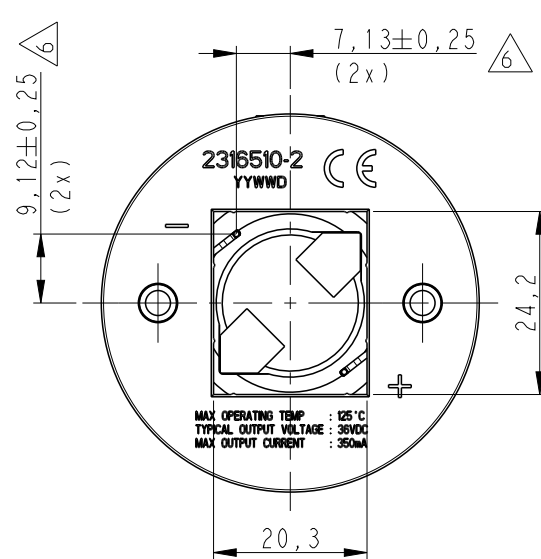
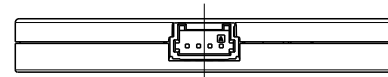
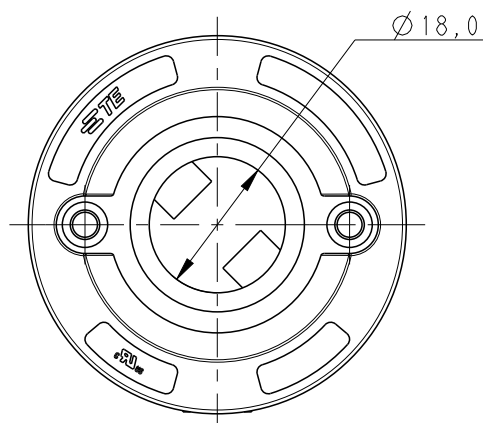
REVISIONS

| P | LTR | DESCRIPTION | DATE | DWN | APVD |
|---|-----|-------------|------|-----|------|
| - | -   | SEE SHEET 1 | -    | -   | -    |

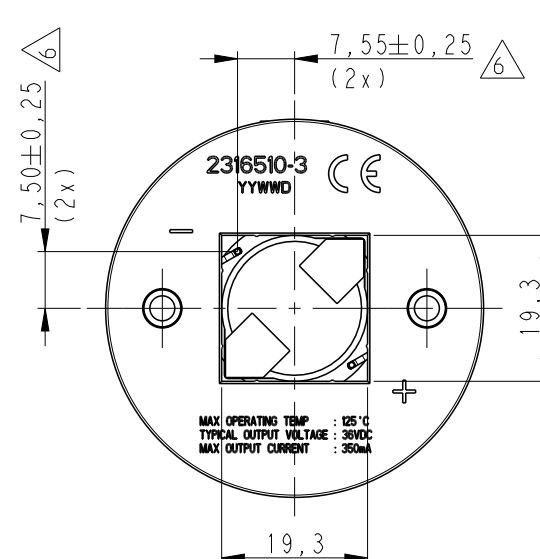
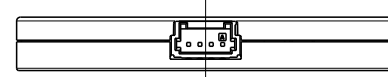
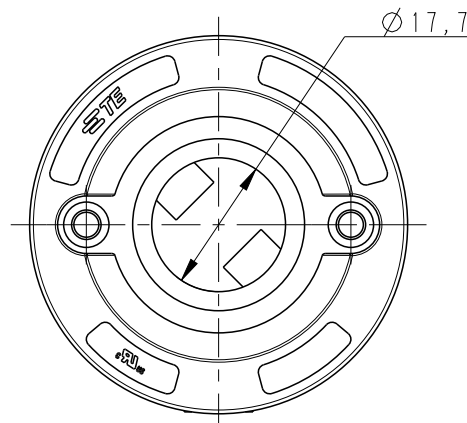
AS SHOWN 2316510-1  
SCALE 1:1



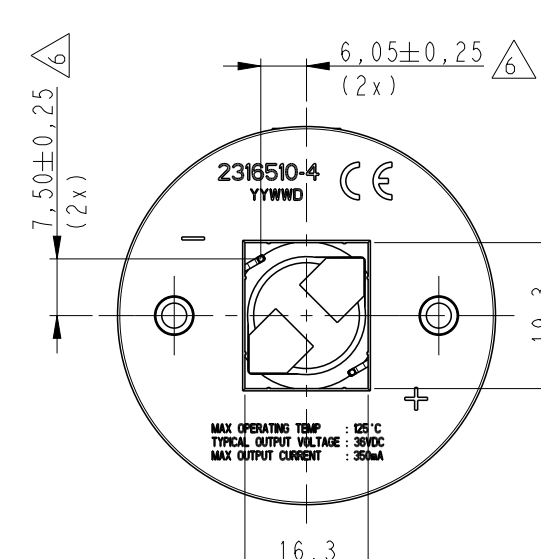
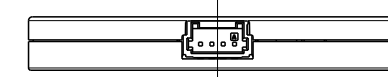
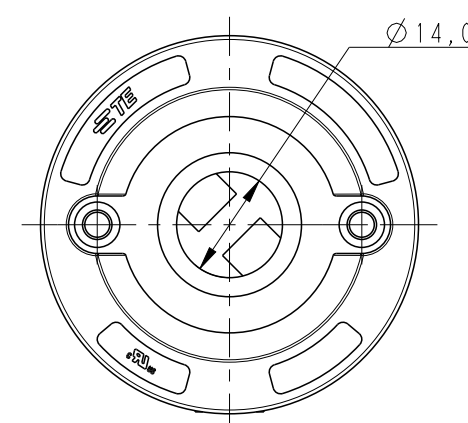
AS SHOWN 2316510-2  
SCALE 1:1



AS SHOWN 2316510-3  
SCALE 1:1



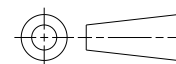
AS SHOWN 2316510-4  
SCALE 1:1



THIS DRAWING IS A CONTROLLED DOCUMENT.

DIMENSIONS:

mm



TOLERANCES UNLESS OTHERWISE SPECIFIED:

- 0 PLC ±-
- 1 PLC ±0.2
- 2 PLC ±0.1
- 3 PLC ±-
- 4 PLC ±-
- ANGLES ±-
- FINISH ±-

MATERIAL  
SEE NOTES

DWN 07MAR2017

RAGHAVENDRA.K

CHK 07MAR2017

P.PETER

APVD 07MAR2017

O.IEIJNSE

PRODUCT SPEC

108-133086

APPLICATION SPEC

114-133086

WEIGHT

-

CUSTOMER DRAWING



TE Connectivity

NAME  
LUMAWISE DRIVE TYPE Z50  
0-10 V VERSION

SIZE CAGE CODE DRAWING NO RESTRICTED TO

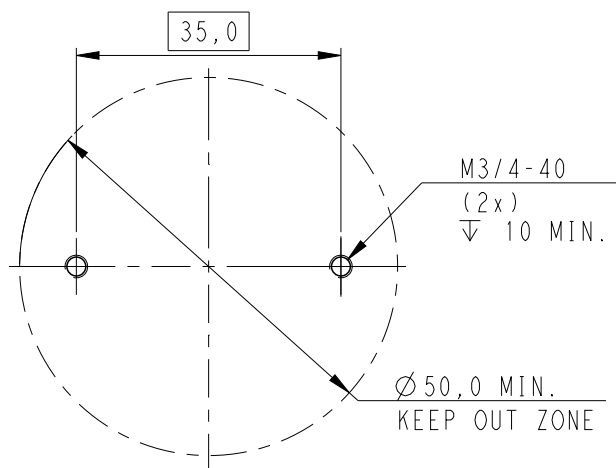
A3 00779 C-2316510

SCALE 5:1 SHEET 2 OF 4 REV A

REVISIONS

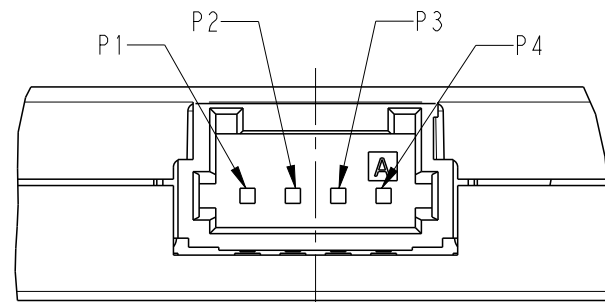
| P | LTR | DESCRIPTION | DATE | DWN | APVD |
|---|-----|-------------|------|-----|------|
| - | -   | SEE SHEET 1 | -    | -   | -    |

RECOMMENDED DRILLING HOLE PATTERN



PIN LAYOUT

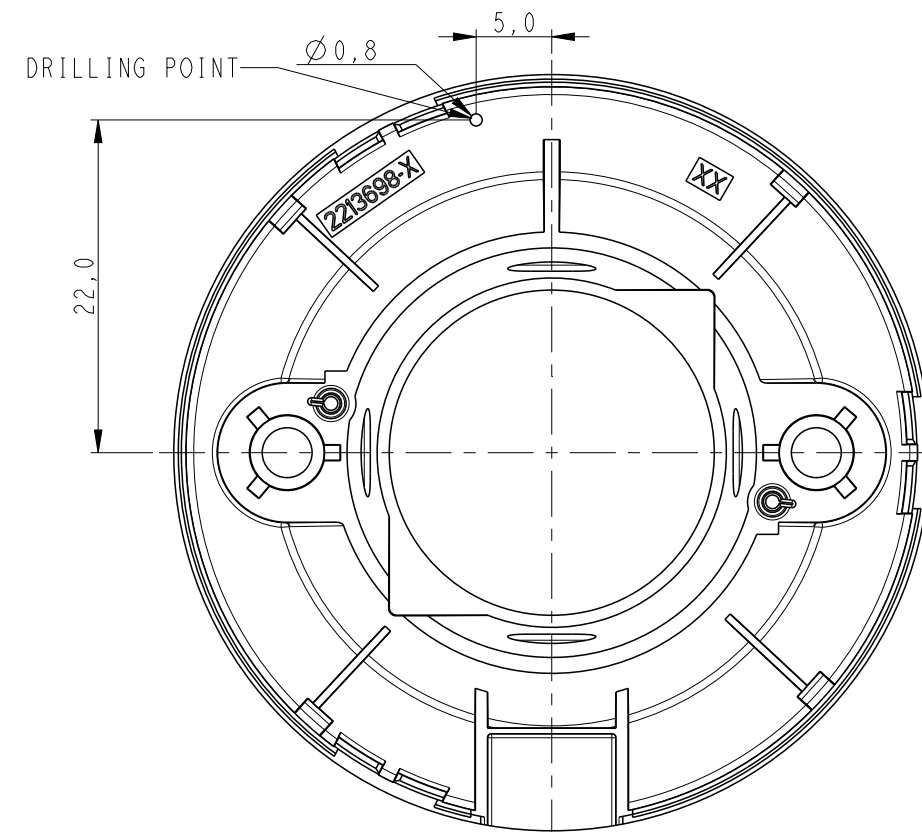
SCALE 4:1



|    |               |
|----|---------------|
| P1 | DIM (+)       |
| P2 | DIM (-)       |
| P3 | 48VIN (+)     |
| P4 | 48VIN (-) GND |

DRILLING LOCATION FOR Tc TESTING

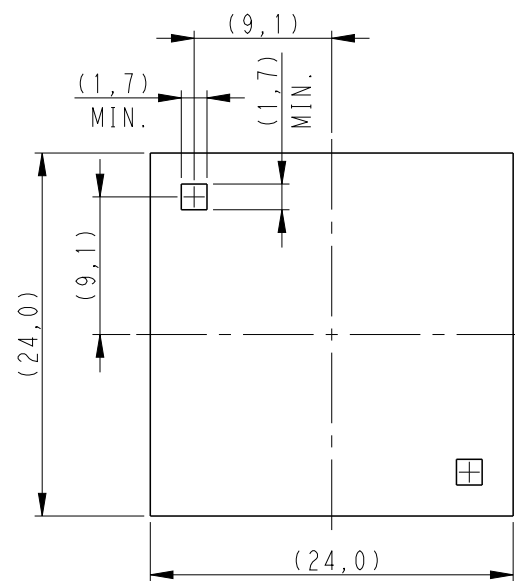
ONLY TOP COVER SHOWN



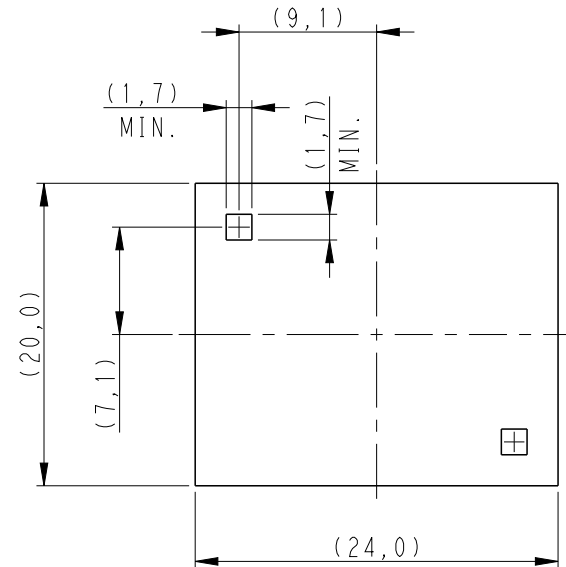
NOMINAL LED INFO:

THE SKETCH BELOW IS SHOWING THE ZHAGA BOOK 12 COB DIMENSIONS TO MATCH WITH THE LUMAWISE DRIVE TYPE Z50 LED HOLDER

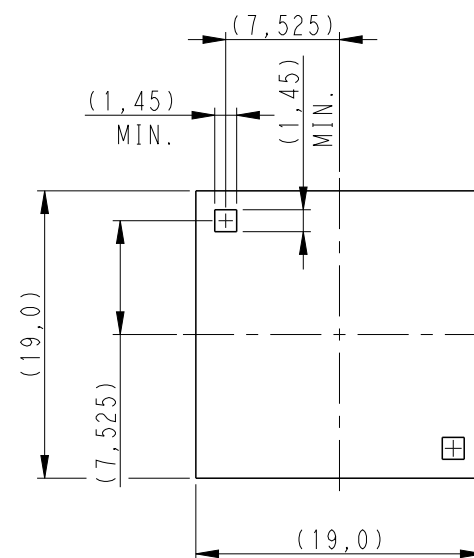
24x24 LAYOUT



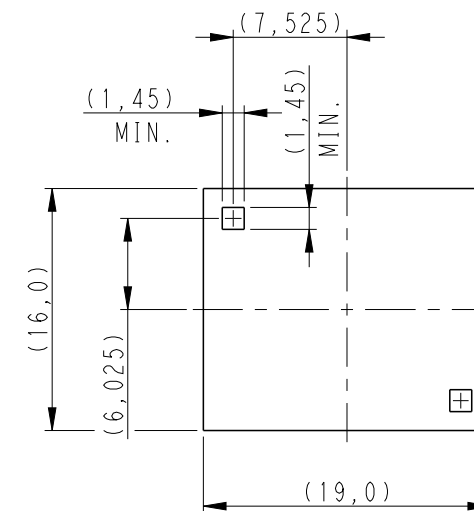
20x24 LAYOUT



19x19 LAYOUT



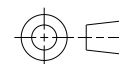
16x19 LAYOUT



THIS DRAWING IS A CONTROLLED DOCUMENT.

DIMENSIONS:

mm



TOLERANCES UNLESS OTHERWISE SPECIFIED:

|        |      |
|--------|------|
| 0 PLC  | ±-   |
| 1 PLC  | ±0.2 |
| 2 PLC  | ±0.1 |
| 3 PLC  | ±-   |
| 4 PLC  | ±-   |
| ANGLES | ±-   |
| FINISH | -    |

MATERIAL SEE NOTES

DWN 07MAR2017

RAGHAVENDRA.K

CHK 07MAR2017

P.PETER

APVD 07MAR2017

O.IEIJNSE

PRODUCT SPEC

108-133086

APPLICATION SPEC

114-133086

WEIGHT

-

CUSTOMER DRAWING

NAME LUMAWISE DRIVE TYPE Z50 0-10 V VERSION



TE Connectivity

SIZE CAGE CODE DRAWING NO RESTRICTED TO

A3 00779 C-2316510 -


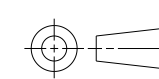
SCALE 2:1 SHEET 3 OF 4 REV A

THIS DRAWING IS UNPUBLISHED. RELEASED FOR PUBLICATION 2017  
 © COPYRIGHT 2017 BY - ALL RIGHTS RESERVED.

| REVISIONS |     |             |      |      |
|-----------|-----|-------------|------|------|
| P         | LTR | DESCRIPTION | DATE | APVD |
| -         |     | SEE SHEET 1 | -    | -    |

|                                                                                                                                                                |                         |                 |
|----------------------------------------------------------------------------------------------------------------------------------------------------------------|-------------------------|-----------------|
| L2C5-xxxx1202E0900; L2C5-xxxx1203E0900<br>1202s; 120206xCx; 1202CRSP; 1203CRSP                                                                                 | LUMILEDS                | 16x19           |
| NVCWL024Z; NFCWL060B-V1;<br>NFCLL060B-V1; NFCWL036B-VIM3                                                                                                       | NICHIA                  |                 |
| LC040C                                                                                                                                                         | SAMSUNG                 |                 |
| BXRH-40E8000-J-23; BXRE-xxxxxxx-x-7x                                                                                                                           | BRIDGELUX               | 19x19           |
| PB16H; PB16U; PB19H;<br>PB19U; PB26U; PB26H                                                                                                                    | LEXTAR                  |                 |
| CLU038-1208C4; CLU721-1206C4; CLU710-1204C1;<br>CLU711-1204C1; CLU034-1205C4; CLU036-1205C1;<br>CLU032-1205A5-303M1A2; CLU720-1206C1;<br>CLL030-1212A1-50KL1A1 | CITIZEN                 |                 |
| 2PHE20CW27P34001/2PHE30CW27P34001<br>2PHE20CW38P34001/2PHE30CW38P34002<br>HM CRI80 Series; HM CRI90 Series<br>SL Series                                        | EDISON OPTO             |                 |
| EA1919 36V/26W Series                                                                                                                                          | EVERLIGHT               |                 |
| CHM-11/CXM11; CXM14/CHM14;<br>CLM-14 Gen 3; CXM-11-XH00                                                                                                        | LUMINUS                 |                 |
| Soleriq 13 Gen 2<br>Soleriq 15                                                                                                                                 | OSRAM                   |                 |
| DMS124***G; DMC124/125***F;<br>DMS125/126/128***G; DMC128***F;<br>DMS099***F                                                                                   | PANASONIC               |                 |
| SDW02F1C; SDWx3F1C                                                                                                                                             | SEOUL                   |                 |
| SLE-G5-LES15<br>SLE-G5-LES17                                                                                                                                   | TRIDONIC                |                 |
| LC016/19/26D; LC019D; LC026D                                                                                                                                   | SAMSUNG                 | 20x24           |
| LHC1-3070-1205; L2C5-xxxx-1204<br>LCHC1-xxxx1204; 1204CRSP; 1205CRSP;<br>1208CRSP; 1204; 1205; 1208                                                            | LUMILEDS                |                 |
| EAHP2024                                                                                                                                                       | EVERLIGHT               |                 |
| GW6TGBJC50C; GW5DGC**M04                                                                                                                                       | SHARP                   |                 |
| BXRE-xxxxxxx-x-7x                                                                                                                                              | BRIDGELUX               | 24x24           |
| Soleriq S19 GW KAHLB2.CM                                                                                                                                       | OSRAM                   |                 |
| <b>LED DESCRIPTION</b>                                                                                                                                         | <b>MANUFACTURE NAME</b> | <b>LED TYPE</b> |

LEDs COMPATIBILITY

|                                                                                       |  |                                |                                                                                                       |                    |
|---------------------------------------------------------------------------------------|--|--------------------------------|-------------------------------------------------------------------------------------------------------|--------------------|
| THIS DRAWING IS A CONTROLLED DOCUMENT.                                                |  | DWN 07MAR2017<br>RAGHAVENDRA.K |  TE Connectivity |                    |
| DIMENSIONS:<br>mm                                                                     |  | CHK 07MAR2017<br>P. PETER      |                                                                                                       |                    |
|  |  | APVD 07MAR2017<br>O. IFEIJNSE  | NAME<br>LUMAWISE DRIVE TYPE Z50<br>0-10 V VERSION                                                     |                    |
| TOLERANCES UNLESS OTHERWISE SPECIFIED:                                                |  | PRODUCT SPEC<br>108-133086     | RESTRICTED TO                                                                                         |                    |
| 0 PLC ±-                                                                              |  | APPLICATION SPEC<br>114-133086 | SIZE<br>A3                                                                                            | CAGE CODE<br>00779 |
| 1 PLC ±0.2                                                                            |  | WEIGHT<br>-                    | DRAWING NO<br>C-2316510                                                                               | SCALE<br>5:1       |
| 2 PLC ±0.1                                                                            |  | MATERIAL<br>SEE NOTES          | SHEET 4 OF 4                                                                                          |                    |
| 3 PLC ±-                                                                              |  |                                | REV A                                                                                                 |                    |
| 4 PLC ±-                                                                              |  | CUSTOMER DRAWING               |                                                                                                       |                    |
| ANGLES ±-                                                                             |  | SCALE 5:1 SHEET 4 OF 4 REV A   |                                                                                                       |                    |
| FINISH -                                                                              |  |                                |                                                                                                       |                    |
|                                                                                       |  |                                |                                                                                                       |                    |