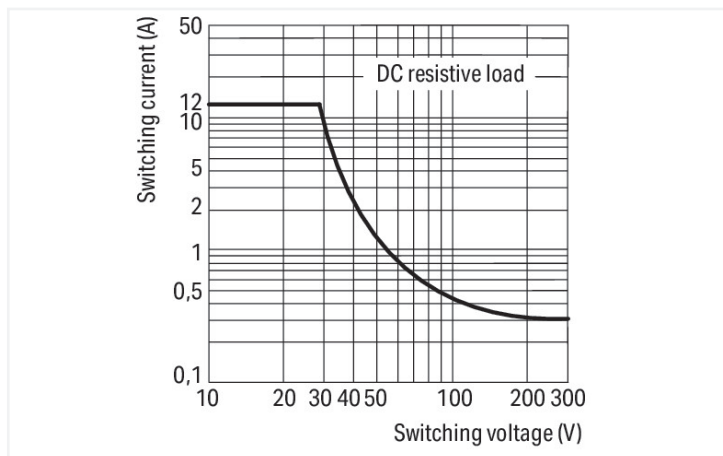
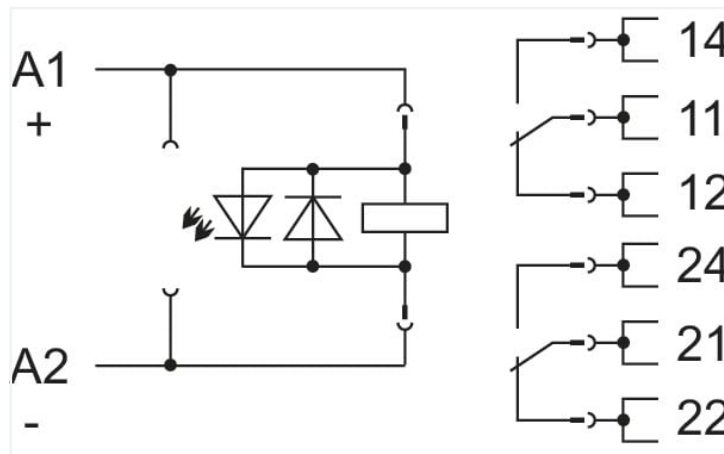


## Data Sheet | Item Number: 858-324

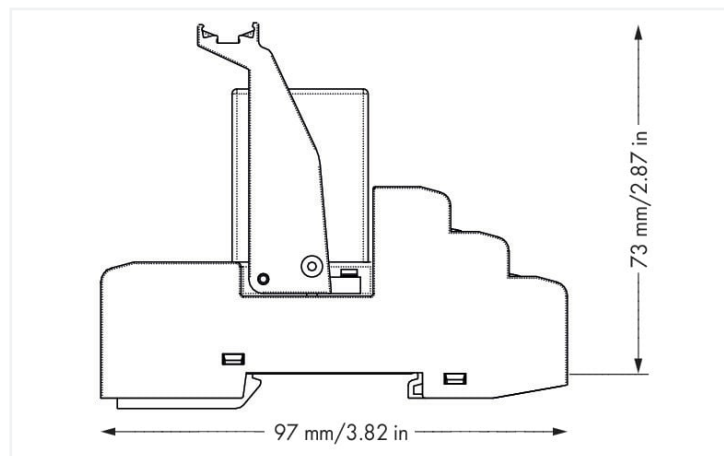
Relay module; Nominal input voltage: 24 VDC; 2 changeover contacts; Limiting continuous current: 12 A; with manual operation; Red status indicator; Module width: 31 mm; 1,50 mm<sup>2</sup>



<https://www.wago.com/858-324>



DC load limit curve



Dimensions in mm

### Technical data

#### Control Circuit

Nominal input voltage $U_N$	DC 24 V
Input voltage range	-20 ... +10 %
Nominal input current at $U_N$	38 mA

#### Load circuit

Number of changeover/switchover contacts	2
Limiting continuous current	12 A
Inrush current (resistive) max.	(AC) 24 A / 4 s
Switching voltage (max.)	AC 250 V
Switching power (resistive) max.	AC 3000 VA; DC (see load limit curve)
Switching capacity	AC-15: 1.5 A / AC 240 V; DC-13: 0.1 A / DC 250 V
Recommended minimum load	10 V / 5 mA / 300 mW
Pull-in time (typ.)	13 ms
Drop-out time (typ.)	3 ms
Electrical life (NO; resistive load; 23 °C)	100 x 10 <sup>3</sup> switching operations
Mechanical life	20 x 10 <sup>6</sup> switching operations
Switching frequency with/without load (max.)	20 min <sup>-1</sup> / 200 min <sup>-1</sup>

### Signaling

Status indicator	Red LED mechanical
------------------	-----------------------

### Safety and protection

Rated voltage	300 V
Rated surge voltage	2.5 kV
Overvoltage category	II
Pollution degree	2
Dielectric strength (control/load circuit) (AC, 1 min)	2.5 kVrms
Dielectric strength (open contact) (AC, 1 min)	1.5 kVrms
Dielectric strength (load/load circuit) (AC, 1 min)	2.5 kVrms
Insulation type (control/load circuit)	Basic insulation
Insulation type (open contact)	Functional insulation
Insulation type (load/load circuit)	Basic insulation
Insulation type (adjacent devices)	Reinforced insulation (safe isolation)
Protection type	IP20

### Connection data

Connection technology	Push-in CAGE CLAMP®
Solid conductor	0.34 ... 1.5 mm <sup>2</sup> / 22 ... 16 AWG
Fine-stranded conductor	0.34 ... 1.5 mm <sup>2</sup> / 22 ... 16 AWG
Strip length	9 ... 10 mm / 0.35 ... 0.39 inches
Note (conductor cross-section)	2 x 0.34 ... 2 x 1.5 mm <sup>2</sup> / 1 x 2.5 mm <sup>2</sup> / 2 x 22 ... 2 x 16 AWG

### Physical data

Width	31 mm / 1.22 inches
Height	97 mm / 3.819 inches
Depth from upper-edge of DIN-rail	73 mm / 2.874 inches

### Mechanical Data

Mounting type	DIN-35 rail
Mounting position	horizontal (standing/lying); vertical

### Material Data

Fire load	1.226 MJ
Weight	87.5 g

### Environmental requirements

Ambient temperature (operation at U <sub>N</sub> )	-40 ... +55 °C
Surrounding air temperature (storage)	-40 ... +85 °C
Processing temperature	-25 ... +50 °C
Temperature range of connection cable	≥ (T <sub>ambient</sub> + 25 K)
Relative humidity	5 ... 85 %
Operating altitude (max.)	2000 m

**Standards and specifications**

Standards/specifications	EN 61010-2-201 EN 61810-1 UL 508
--------------------------	--

**Basic relay**

WAGO Basic Relay	858-181
------------------	---------

**Commercial data**

Product Group	6 (INTERFACE ELECTRONIC)
eCl@ss 10.0	27-37-16-01
eCl@ss 9.0	27-37-16-01
ETIM 8.0	EC001437
ETIM 7.0	EC001437
PU (SPU)	5 pcs
Packaging type	Box
Country of origin	DE
GTIN	4055143567732
Customs tariff number	85364900990