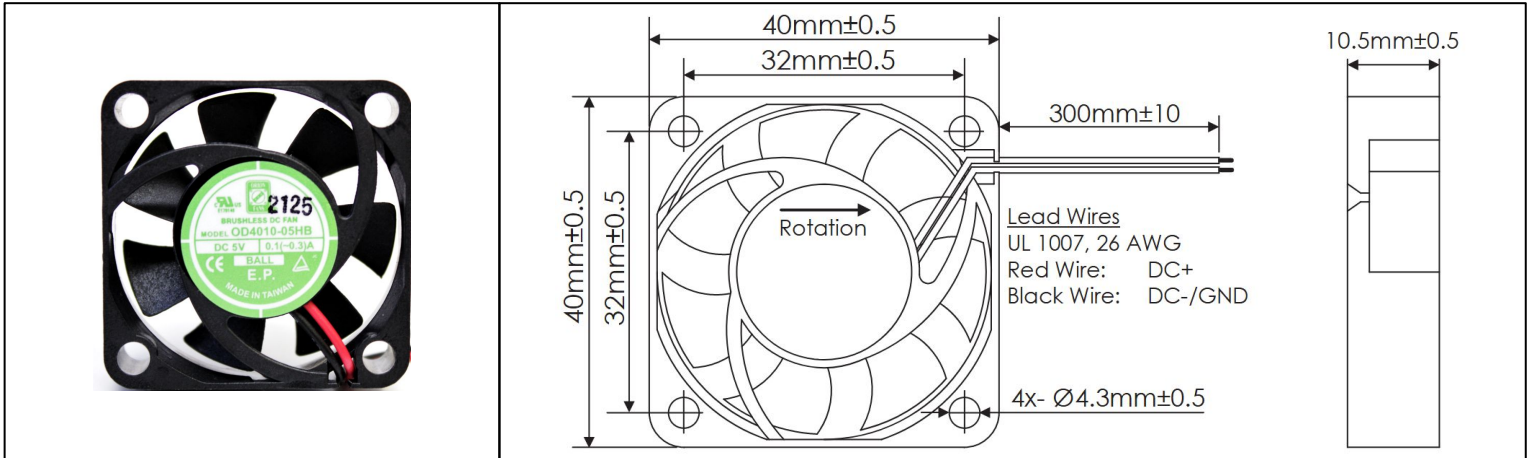


OD4010 Series



DC Fans - 5, 12, 24V
40mm x 10.5mm (1.6" x 0.4")



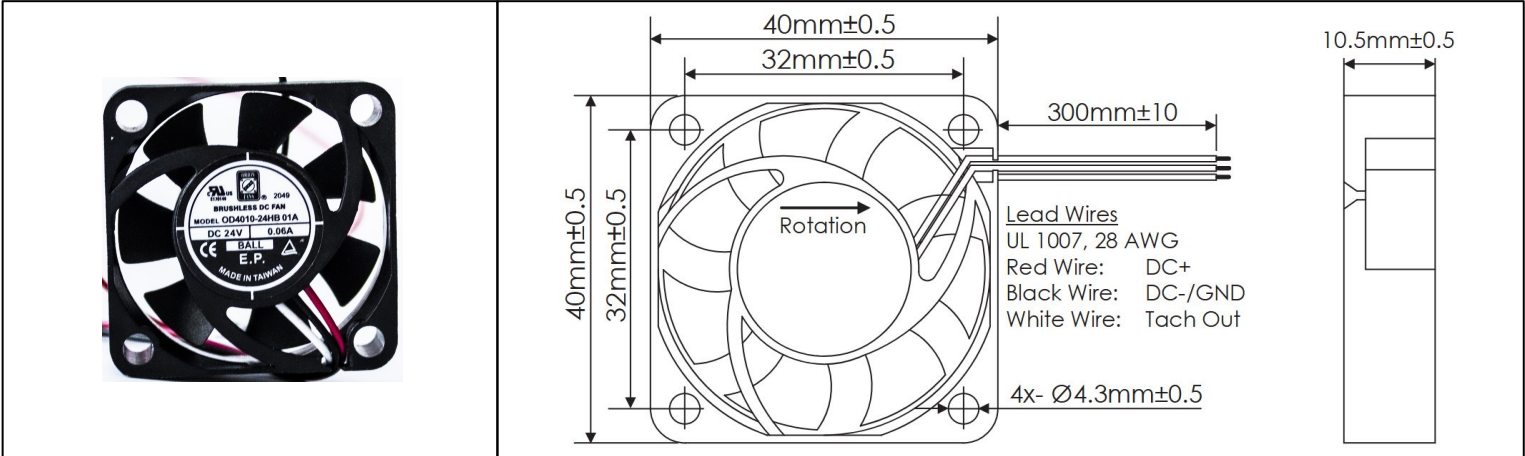
Frame	PBT, UL94 V-0 Plastic	Operating Temperature -20°C ~ +65°C Storage Temperature -20°C ~ +75°C Life Expectancy 60,000 Hours (L10 at 45°C) Available Options PWM Speed Control Input Tachometer Output Alarm Output IP Ratings Sealed Sleeve Bearings Weight: 0.044 lbs	
Impeller	PBT, UL94 V-0 Plastic		
Connection	2x Lead Wires, 26 AWG		
Motor	Brushless DC, Auto Cutoff, Auto Restart, Polarity Protected, Electronically Protected		
Bearing System	Ball Bearings		
Dielectric Strength	500VDC/min, <1mA		
Insulation Resistance	≥10MΩ @ 500 VDC		

Part Number	Rated Voltage (Volts DC)	Voltage Range (Volts DC)	Input Power (Watts)	Rated Current (Amps)(Max)	Rated Speed (RPM)	Max Airflow (CFM)	Noise Level (dBA)	Max Static Pressure ("H ₂ O)
OD4010-05HHB	5	4.5 ~ 5.5	0.5	0.10(0.30)	10000	12	38.2	0.34
OD4010-05HB	5	4.5 ~ 5.5	0.5	0.10(0.30)	8000	9.2	33.4	0.20
OD4010-05MB	5	4.5 ~ 5.5	0.36	0.07(0.12)	6000	7.2	26.3	0.12
OD4010-05LB	5	4.5 ~ 5.5	0.30	0.06(0.10)	4000	4.7	20.1	0.07
OD4010-12HHB	12	10.8 ~ 13.2	0.72	0.07(0.18)	10000	12	38.2	0.34
OD4010-12HB	12	10.8 ~ 13.2	0.72	0.07(0.12)	8000	9.2	33.4	0.20
OD4010-12MB	12	10.8 ~ 13.2	0.6	0.05(0.10)	6000	7.2	26.3	0.12
OD4010-12LB	12	10.8 ~ 13.2	0.50	0.04(0.06)	4000	4.7	20.1	0.07
OD4010-24HHB	24	21.6 ~ 26.4	1.45	0.06(0.09)	10000	12	38.2	0.34
OD4010-24HB	24	21.6 ~ 26.4	1.45	0.06(0.08)	8000	9.2	33.4	0.20
OD4010-24MB	24	21.6 ~ 26.4	1.2	0.05(0.07)	6000	7.2	26.3	0.12
OD4010-24LB	24	21.6 ~ 26.4	0.73	0.03(0.05)	4000	4.7	20.1	0.07

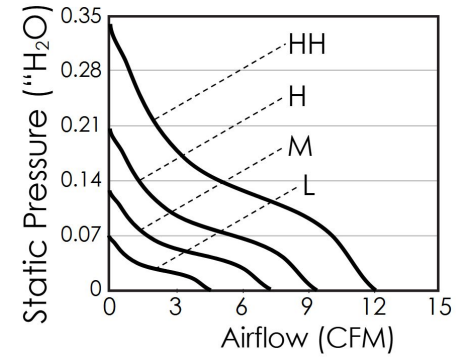
OD4010 Series with Tach



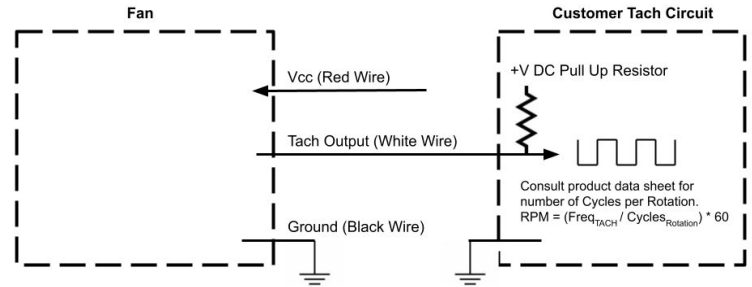
DC Fans - 5, 12, 24V
40mm x 10.5mm (1.6" x 0.4")



Frame	PBT, UL94 V-0 Plastic	Operating Temperature -20°C ~ +65°C Storage Temperature -20°C ~ +75°C Life Expectancy 60,000 Hours (L10 at 45°C) Installed Options Open Collector Tach Output Weight: 0.044 lbs
Impeller	PBT, UL94 V-0 Plastic	
Connection	3x Lead Wires, 28 AWG	
Motor	Brushless DC, Auto Cutoff, Auto Restart, Polarity Protected, Electronically Protected	
Bearing System	Ball Bearings	
Dielectric Strength	500VDC/min, <1mA	
Insulation Resistance	≥10MΩ @ 500 VDC	



Part Number	Rated Voltage (Volts DC)	Voltage Range (Volts DC)	Input Power (Watts)	Rated Current (Amps) (Max)	Rated Speed (RPM)	Max Airflow (CFM)	Noise Level (dBA)	Max Static Pressure ("H ₂ O)
OD4010-05HHB01A	5	4.5 ~ 5.5	0.5	0.10(0.30)	10000	12	38.2	0.34
OD4010-05HB01A	5	4.5 ~ 5.5	0.5	0.10(0.30)	8000	9.2	33.4	0.20
OD4010-05MB01A	5	4.5 ~ 5.5	0.36	0.07(0.12)	6000	7.2	26.3	0.12
OD4010-05LB01A	5	4.5 ~ 5.5	0.30	0.06(0.10)	4000	4.7	20.1	0.07
OD4010-12HHB01A	12	10.8 ~ 13.2	0.72	0.07(0.18)	10000	12	38.2	0.34
OD4010-12HB01A	12	10.8 ~ 13.2	0.72	0.07 (0.12)	8000	9.2	33.4	0.20
OD4010-12MB01A	12	10.8 ~ 13.2	0.6	0.05(0.10)	6000	7.2	26.3	0.12
OD4010-12LB01A	12	10.8 ~ 13.2	0.50	0.04(0.06)	4000	4.7	20.1	0.07
OD4010-24HHB01A	24	21.6 ~ 26.4	1.45	0.06(0.09)	10000	12	38.2	0.34
OD4010-24HB01A	24	21.6 ~ 26.4	1.4	0.06 (0.08)	8000	9.2	33.4	0.20
OD4010-24MB01A	24	21.6 ~ 26.4	1.2	0.05(0.07)	6000	7.2	26.3	0.12
OD4010-24LB01A	24	21.6 ~ 26.4	0.73	0.03(0.05)	4000	4.7	20.1	0.07

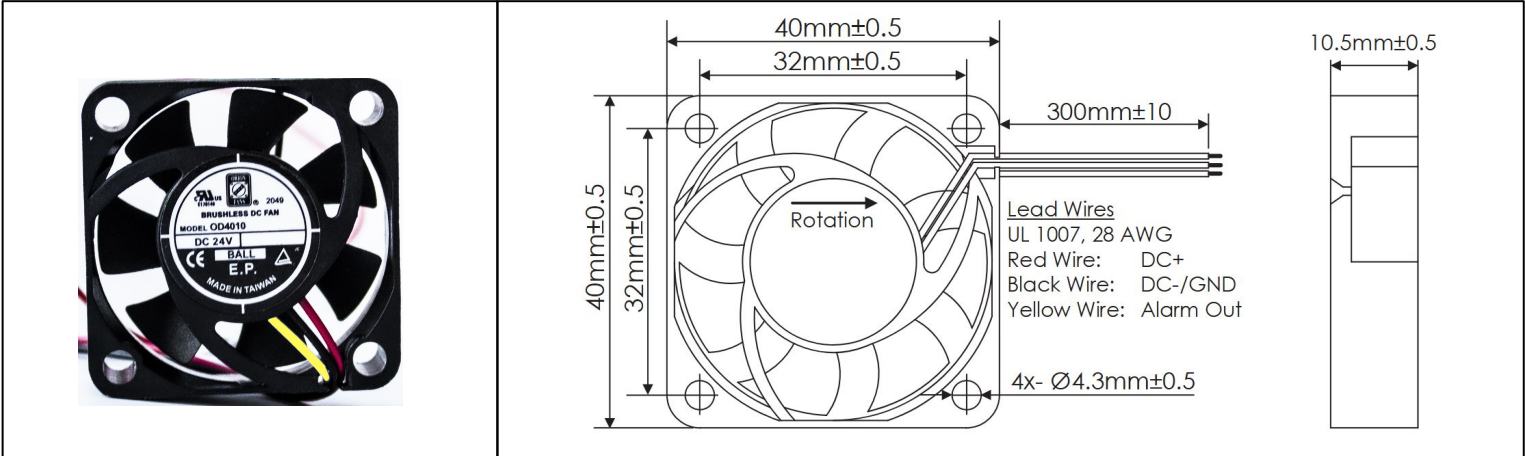


Tach Max Pullup Voltage: Fan Vcc
Tach Max Sink Current: 5mA
Tach Cycles per Rotation: 2

OD4010 Series with Alarm

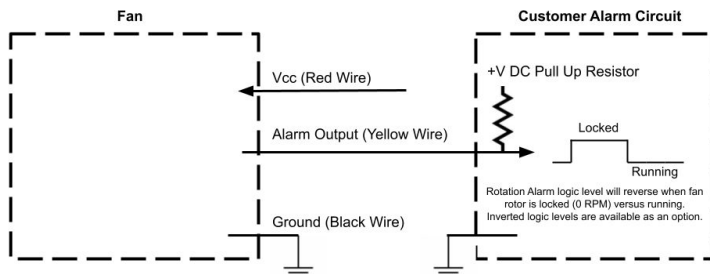


DC Fans - 5, 12, 24V
40mm x 10.5mm (1.6" x 0.4")



Frame	PBT, UL94 V-0 Plastic	Operating Temperature -20°C ~ +65°C Storage Temperature -20°C ~ +75°C Life Expectancy 60,000 Hours (L10 at 45°C) Installed Options Open Collector Alarm Output Weight: 0.044 lbs	
Impeller	PBT, UL94 V-0 Plastic		
Connection	3x Lead Wires, 28 AWG		
Motor	Brushless DC, Auto Cutoff, Auto Restart, Polarity Protected, Electronically Protected		
Bearing System	Ball Bearings		
Dielectric Strength	500VDC/min, <1mA		
Insulation Resistance	≥10MΩ @ 500 VDC		

Part Number	Rated Voltage (Volts DC)	Voltage Range (Volts DC)	Input Power (Watts)	Rated Current (Amps) (Max)	Rated Speed (RPM)	Max Airflow (CFM)	Noise Level (dBA)	Max Static Pressure ("H ₂ O)
OD4010-05HHB02A	5	4.5 ~ 5.5	0.5	0.10(0.30)	10000	12	38.2	0.34
OD4010-05HB02A	5	4.5 ~ 5.5	0.5	0.10(0.30)	8000	9.2	33.4	0.20
OD4010-05MB02A	5	4.5 ~ 5.5	0.36	0.07(0.12)	6000	7.2	26.3	0.12
OD4010-05LB02A	5	4.5 ~ 5.5	0.30	0.06(0.10)	4000	4.7	20.1	0.07
OD4010-12HHB02A	12	10.8 ~ 13.2	0.72	0.07(0.18)	10000	12	38.2	0.34
OD4010-12HB02A	12	10.8 ~ 13.2	0.72	0.07 (0.12)	8000	9.2	33.4	0.20
OD4010-12MB02A	12	10.8 ~ 13.2	0.6	0.05(0.10)	6000	7.2	26.3	0.12
OD4010-12LB02A	12	10.8 ~ 13.2	0.50	0.04(0.06)	4000	4.7	20.1	0.07
OD4010-24HHB02A	24	21.6 ~ 26.4	1.45	0.06(0.09)	10000	12	38.2	0.34
OD4010-24HB02A	24	21.6 ~ 26.4	1.4	0.06 (0.08)	8000	9.2	33.4	0.20
OD4010-24MB02A	24	21.6 ~ 26.4	1.2	0.05(0.07)	6000	7.2	26.3	0.12
OD4010-24LB02A	24	21.6 ~ 26.4	0.73	0.03(0.05)	4000	4.7	20.1	0.07



Alarm Max Pullup Voltage: Fan +Vcc
 Alarm Max Sink Current: 5mA
 Alarm Active Logic State: HIGH