
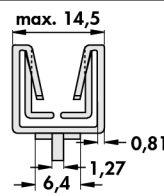
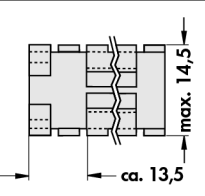
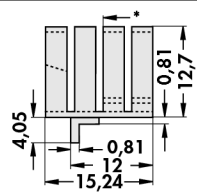

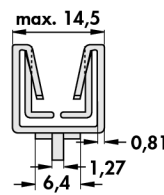
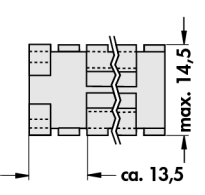
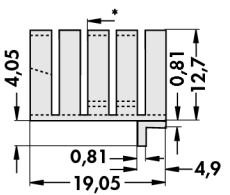

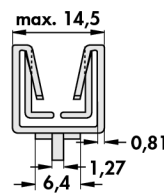
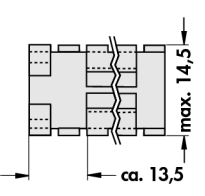
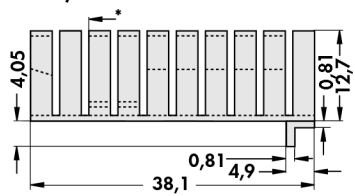


## Attachable heatsink

with tinned soldering lug for direct soldering onto circuit board, for horizontal installation


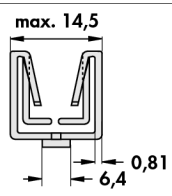
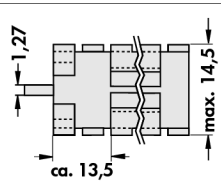
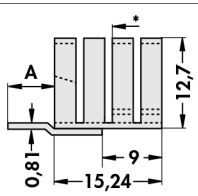
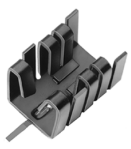
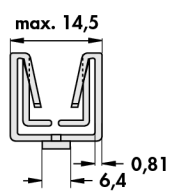
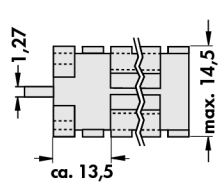
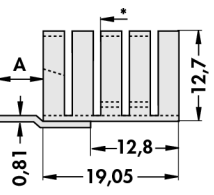

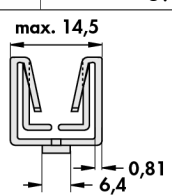
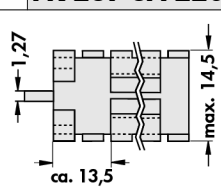
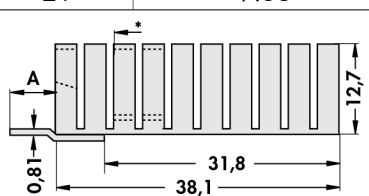
<b>art. no.</b>					<b>26 K/W</b>
<b>FK 242 SA 220 H</b>					
<b>art. no.</b>					<b>21 K/W</b>
<b>FK 237 SA 220 H</b>					
<b>art. no.</b>					<b>16 K/W</b>
<b>FK 240 SA 220 H</b>					

\* = touch in edge of transistor

**material:** aluminium

**surface treatment:** black anodised

with tinned soldering lug for direct soldering onto circuit board, for vertical installation

					
<b>art. no.</b>	$R_{th}$ [K/W]	A [mm]	<b>art. no.</b>	$R_{th}$ [K/W]	A [mm]
<b>FK 242 SA 220 V</b>	26	6.35	<b>FK 242 SA 220 VL</b>	26	9.53
					
<b>art. no.</b>	$R_{th}$ [K/W]	A [mm]	<b>art. no.</b>	$R_{th}$ [K/W]	A [mm]
<b>FK 237 SA 220 V</b>	21	6.35	<b>FK 237 SA 220 VL</b>	21	9.53
					
<b>art. no.</b>	$R_{th}$ [K/W]	A [mm]	<b>art. no.</b>	$R_{th}$ [K/W]	A [mm]
<b>FK 240 SA 220 V</b>	16	6.35	<b>FK 240 SA 220 VL</b>	16	9.53

\* = touch in edge of transistor

**material:** aluminium

**surface treatment:** black anodised

Heatsinks for D PAK  
Heatsinks for transistors  
Silicone wafers  
Mica wafers

→ C 17  
→ C 4 - 9  
→ E 2 - 4  
→ E 11

technical annotations  
U-shaped heatsink  
Aluminium oxide wafers  
Kapton insulator washers

→ A 2 - 7  
→ A 117 - 120  
→ E 9 - 10  
→ E 8