

AI-TWIN 2X 1 -10 RD - Ferrule

3200988

<https://www.phoenixcontact.com/us/products/3200988>

Please be informed that the data shown in this PDF document is generated from our online catalog. Please find the complete data in the user documentation. Our general terms of use for downloads are valid.

Ferrule, sleeve length: 10 mm, color: red



Your advantages

- These special ferrules allow chain bridges to be set up with ease
- The TWIN ferrules provide a practical way of crimping two conductors in one ferrule
- Different versions of the individual TWIN ferrules can be selected for specific applications

Commercial data

Item number	3200988
Packing unit	100 pc
Minimum order quantity	100 pc
Sales key	BH34
Product key	BH3413
Catalog page	Page 486 (C-3-2019)
GTIN	4017918094539
Weight per piece (including packing)	0.177 g
Weight per piece (excluding packing)	0.168 g
Customs tariff number	85369010
Country of origin	DE

3200988

<https://www.phoenixcontact.com/us/products/3200988>

Technical data

Product properties

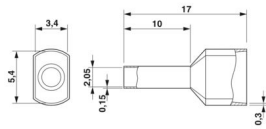
Product type	Cable end sleeve
Conductor category	stranded conductors, class 2, 5, 6 / B, C, K, M

Connection data

Conductor connection

Conductor cross section flexible max.	1 mm ²
Conductor cross section AWG max.	18
Stripping length	14 mm

Dimensions

Dimensional drawing	
Sleeve length	10 mm
Maximum stripping length	14 mm
Ferrule diameter	2.05 mm
Sleeve wall thickness	0.15 mm
Insulating collar thickness	0.3 mm
Inner dimensions of the insulating collar	3.4 mm

Material specifications

Color	red
Material	CU-DHP
Flammability rating according to UL 94	HB
Coating	tin-plated (galvanic)
Components	free from silicone and halogen

Mechanical properties

Technical data

Sleeve length	10 mm
---------------	-------

Environmental and real-life conditions

Ambient conditions

Permanent temperature	105 °C (-40 °C no load / 0 °C dynamic load)
Short-term temperature	120 °C

Standards and regulations

AI-TWIN 2X 1 -10 RD - Ferrule

3200988

<https://www.phoenixcontact.com/us/products/3200988>



Design according to standard

DIN 46228-4, UL 486F-F

AI-TWIN 2X 1 -10 RD - Ferrule

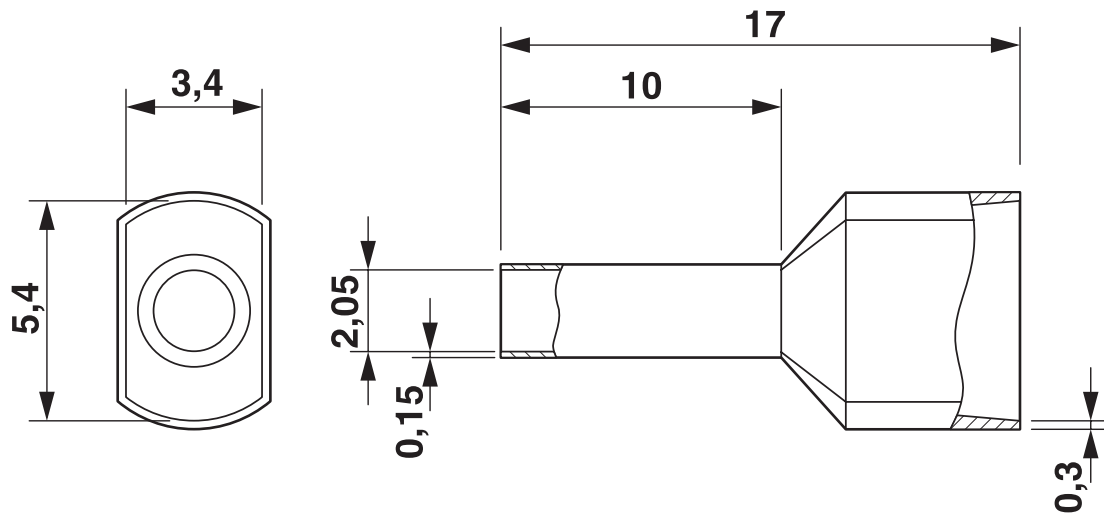
3200988

<https://www.phoenixcontact.com/us/products/3200988>



Drawings

Dimensional drawing



AI-TWIN 2X 1 -10 RD - Ferrule



3200988

<https://www.phoenixcontact.com/us/products/3200988>

Approvals

To download certificates, visit the product detail page: <https://www.phoenixcontact.com/us/products/3200988>



UL Listed

Approval ID: E488001



cUL Listed

Approval ID: E488001



cULus Listed

Approval ID: E488001

cULus Listed

AI-TWIN 2X 1 -10 RD - Ferrule



3200988

<https://www.phoenixcontact.com/us/products/3200988>

Classifications

ECLASS

ECLASS-11.0	27400201
ECLASS-13.0	27400201
ECLASS-12.0	27400201

ETIM

ETIM 9.0	EC000005
----------	----------

UNSPSC

UNSPSC 21.0	27121700
-------------	----------

AI-TWIN 2X 1 -10 RD - Ferrule



3200988

<https://www.phoenixcontact.com/us/products/3200988>

Environmental product compliance

EU RoHS

Fulfills EU RoHS substance requirements	Yes, No exemptions
---	--------------------

China RoHS

Environment friendly use period (EFUP)	EFUP-E
	No hazardous substances above the limits

EU REACH SVHC

REACH candidate substance (CAS No.)	No substance above 0.1 wt%
-------------------------------------	----------------------------

AI-TWIN 2X 1 -10 RD - Ferrule

3200988

<https://www.phoenixcontact.com/us/products/3200988>



Accessories

CRIMPFOX CENTRUS 6S - Crimping pliers

1213144

<https://www.phoenixcontact.com/us/products/1213144>



Crimping pliers, for uninsulated and insulated ferrules, DIN 46228 Part 1 and 4, from 0.14 mm² ... 6 mm², also for TWIN ferrules up to 2 x 4 mm², automatic cross section adjustment, lateral insertion, equipped with fall protection

CRIMPFOX CENTRUS 6H - Crimping pliers

1213146

<https://www.phoenixcontact.com/us/products/1213146>



Crimping pliers, for uninsulated and insulated ferrules, DIN 46228 Part 1 and 4, from 0.14 mm² ... 6 mm², also for TWIN ferrules up to 2 x 4 mm², automatic cross section adjustment, lateral insertion, equipped with fall protection

AI-TWIN 2X 1 -10 RD - Ferrule

3200988

<https://www.phoenixcontact.com/us/products/3200988>



CRIMPFOX CENTRUS 10S - Crimping pliers

1213154

<https://www.phoenixcontact.com/us/products/1213154>



Crimping pliers, for uninsulated and insulated ferrules, DIN 46228 Part 1 and 4, from 0.14 mm² ... 10 mm², also for TWIN ferrules up to 2 x 4 mm², automatic cross section adjustment, lateral insertion, equipped with fall protection

CRIMPFOX CENTRUS 10H - Crimping pliers

1213156

<https://www.phoenixcontact.com/us/products/1213156>



Crimping pliers, for uninsulated and insulated ferrules, DIN 46228 Part 1 and 4, from 0.14 mm² ... 10 mm², also for TWIN ferrules up to 2 x 4 mm², automatic cross section adjustment, lateral insertion, equipped with fall protection

AI-TWIN 2X 1 -10 RD - Ferrule

3200988

<https://www.phoenixcontact.com/us/products/3200988>



CRIMPFOX DUO 10 - Crimping pliers

1031721

<https://www.phoenixcontact.com/us/products/1031721>



Crimping pliers, contact connection type: Insulated and uninsulated ferrules, standards/specifications: DIN 46228-1, DIN 46228-4, UL 486F, form A, E, F, min. cross section: 0.14 mm², max. cross section: 10 mm², for TWIN ferrules up to 2 x 4 mm², automatic cross section adjustment, rotating die, lateral and frontal insertion, compression: Trapezoidal crimp, black/green

CRIMPFOX 10T-F - Crimping pliers

1134913

<https://www.phoenixcontact.com/us/products/1134913>



Crimping pliers, contact connection type: Insulated and uninsulated ferrules, standards/specifications: DIN 46228-1, DIN 46228-4, min. cross section: 0.14 mm², max. cross section: 10 mm², For TWIN ferrules up to 2 x 4 mm², automatic cross section adjustment, frontal insertion, compression: Trapezoidal crimp, black

AI-TWIN 2X 1 -10 RD - Ferrule

3200988

<https://www.phoenixcontact.com/us/products/3200988>



CRIMPFOX DUO 16S - Crimping pliers

1202877

<https://www.phoenixcontact.com/us/products/1202877>



Crimping pliers, contact type: insulated and uninsulated ferrules, standards/regulations: DIN 46228-1, DIN 46228-4, UL 486F, Form A, E, F, cross-section, minimum: 0.14 mm², cross-section, maximum: 16 mm², for TWIN ferrules up to 2 mm² x 6 mm², automatic cross-section adjustment, rotating dies, lateral and front entry, crimping: square

Phoenix Contact 2024 © - all rights reserved

<https://www.phoenixcontact.com>

Phoenix Contact USA
586 Fulling Mill Road
Middletown, PA 17057, United States
(+717) 944-1300
info@phoenixcon.com