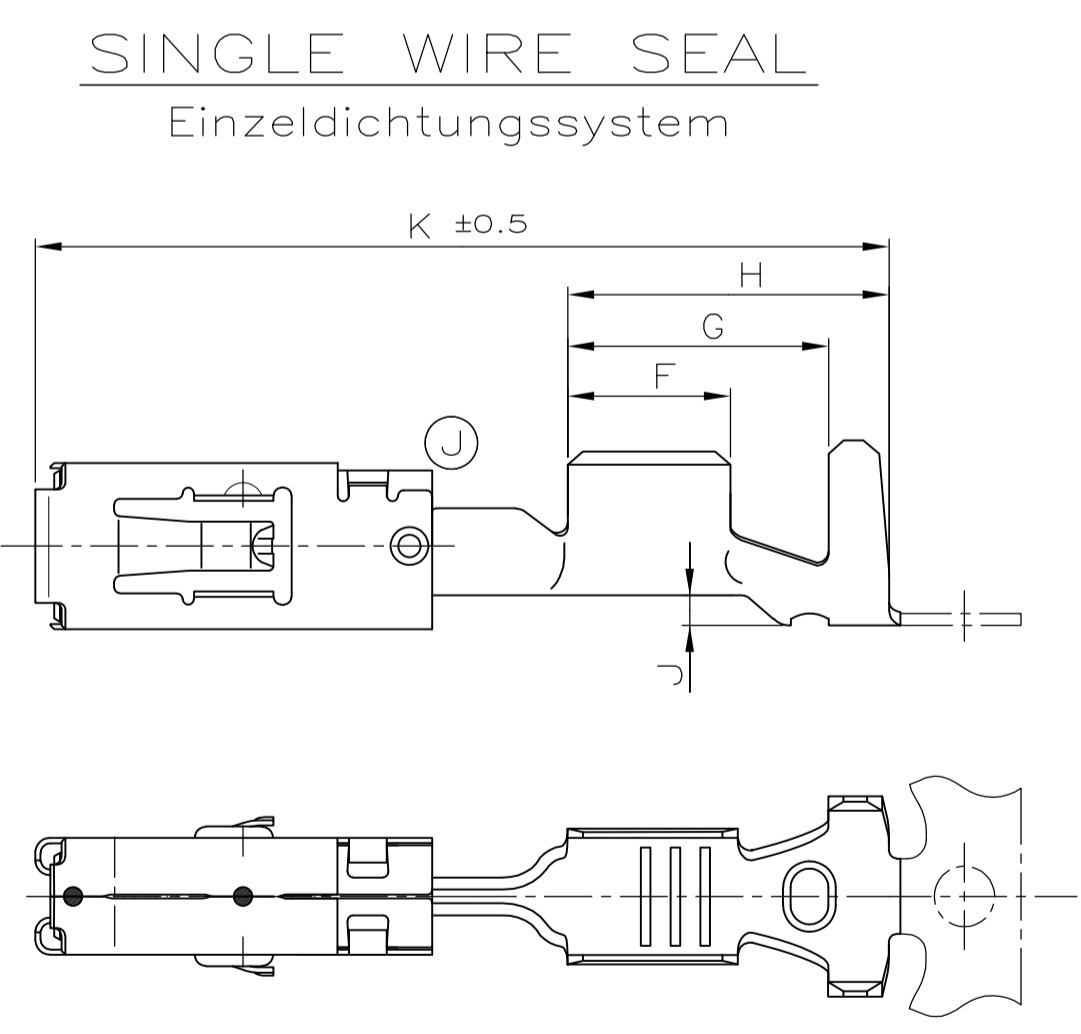
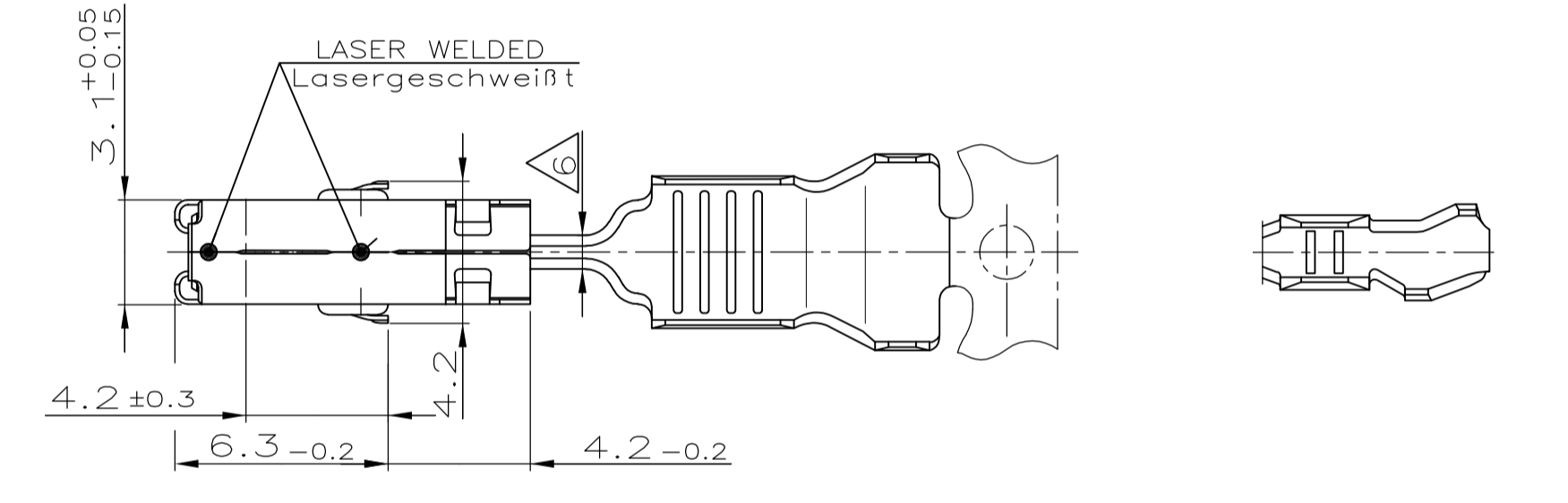
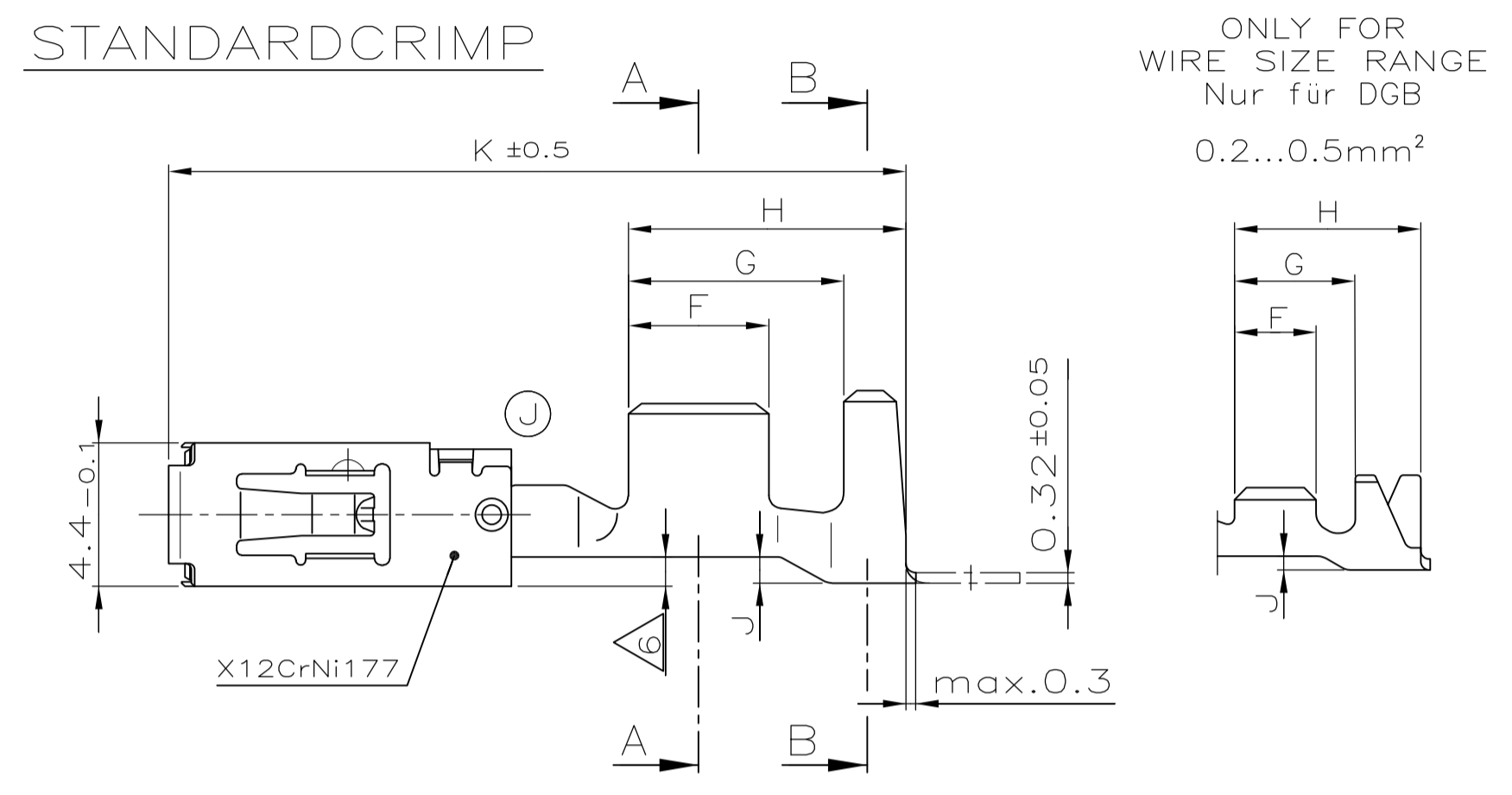
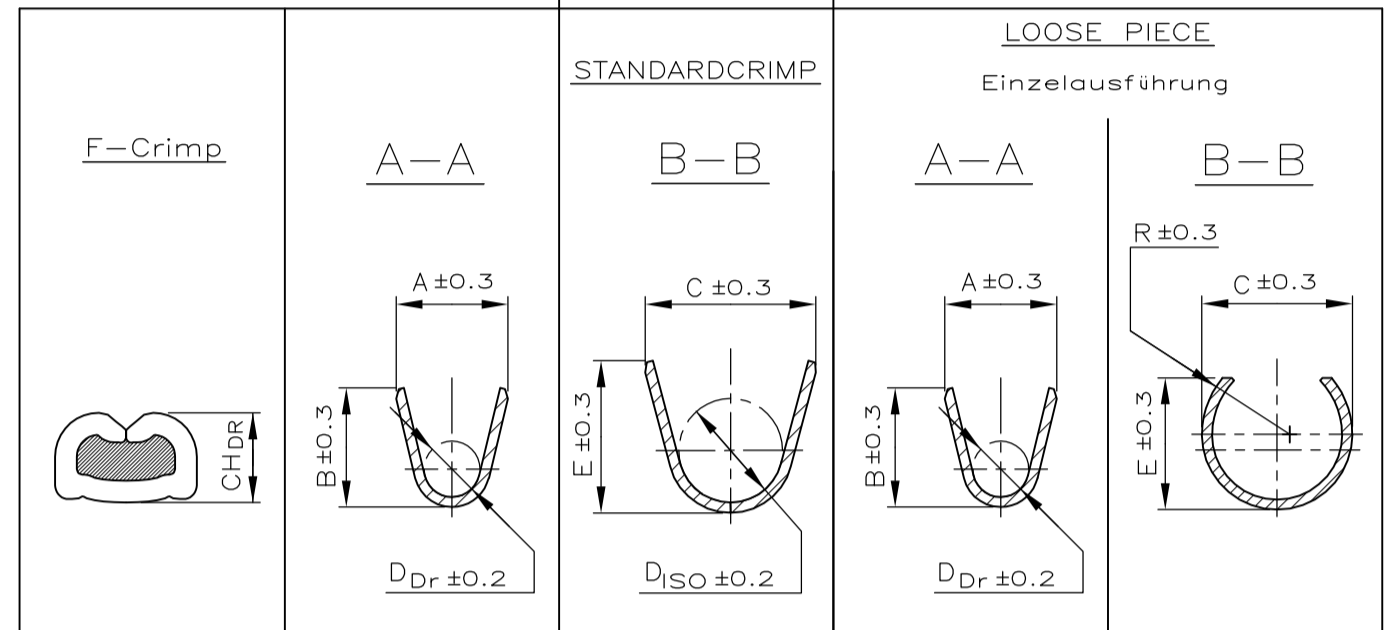
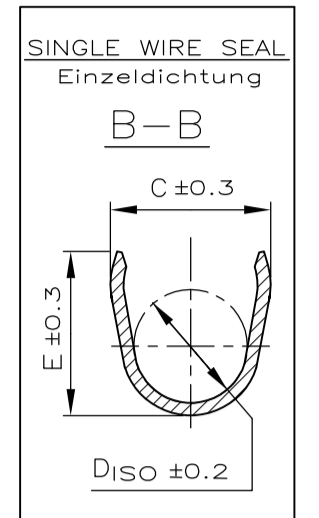


- REMARKS**  
Bemerkungen
- MATING PART SEE INTERFACE DRAWING  
AMP-Nr.: 114-18230-002  
Gegenstecker nach Ausführungsvorschrift  
AMP-Nr.: 114-18230-002
  - ONLY FOR FLR-WIRE SEE DIN 72551, PART 6  
Nur für FLR-Leitung nach DIN 72551, Teil 6
  - APPLICATION OF CONTACTS VERSION A+B SEE SPEC.:114-18148  
Verarbeitung der Kontakte Ausführung A+B siehe Spec.:114-18148
  - SURFACE:  
- PRE TIN PLATED 1 TO 3 μm  
- GOLD PLATED MIN. 2 μm (only contact area)  
- SILVER PLATED 3 TO 5 μm (only contact area)  
Oberfläche:  
- verzinkt 1 bis 3 μm  
- galv. vergoldet min. 2 μm (nur Kontaktzone)  
- galv. versilbert 3 bis 5 μm (nur Kontaktzone)
  - DOUBLE CRIMPS ARE ONLY POSSIBLE WITH APPLICATORS AUTHORIZED BY AMP (NO HAND TOOL!)  
SUITABLE TOOLS ON REQUEST  
Doppelschläge sind nur mit von AMP zugelassenen Anschlagwerkzeugen möglich (keine Handzangen)  
passende Werkzeuge auf Anfrage
  - GAUGE INSPECTION  
Lehrenprüfung
  - DETAILS OF DESIGN ARE LEFT TO MANUFACTURER  
Einzelheiten der Ausführung bleiben dem Hersteller überlassen
  - ONLY THE GERMAN-LANGUAGE VERSION SHALL BE BINDING  
Maßgebend ist der deutsche Text
  - IN THE TRANSITION SUPPLY OF REV. D PERMISSIBLE  
Im Übergang Lieferung von Rev. D zulässig
  - PUNCHING OIL: RAZIOL CLF 11 SG  
Stanzöl:



| VERSION     | Ausführung | ORDER-NO. STRIP FORM | Rev. | ORDER-NO. LOOSE PIECE | Rev. | MATERIAL | SURFACE                  | POSSIBLE DOUBLE CRIMPS | HAND TOOL         | WIRE SIZE RANGE | CH OR | CRIMP DIMENSIONS / Crimpabmessungen                                     |     |                 |     |     |                  |     |      |                 |     |      | SINGLE WIRE SEAL | DEAD END PLUG |     |     |      |      |          |          |   |
|-------------|------------|----------------------|------|-----------------------|------|----------|--------------------------|------------------------|-------------------|-----------------|-------|---|-----|-----------------|-----|-----|------------------|-----|------|-----------------|-----|------|------------------|---------------|-----|-----|------|------|----------|----------|---|
|             |            |                      |      |                       |      |          |                          |                        |                   |                 |       | A   | B   | D <sub>Dr</sub> | C   | E   | D <sub>ISO</sub> | A   | B    | D <sub>Dr</sub> | C   | E    |                  |               | R   | F   | G    | H    | J        | K        |   |
| 1-1719506-3 | A          | -                    | -    | -                     | -    | Cu/NiSi  | SILVER PLATED versilbert | -                      | -                 | 12 AWG          | -     | 4.0   | 4.2 | 2.0             | 5.0 | 5.0 | 3.5              | -   | -    | -               | -   | -    | -                | 3.5           | 5.9 | 7.5 | 0.8  | 21.0 | 828905-1 | 828922-1 |   |
| 1-1719506-1 | A          | -                    | -    | -                     | -    | Cu/NiSi  | PRE TIN PLATED verzinkt  | -                      | -                 | -               | -     | -   | -   | -               | -   | -   | -                | -   | -    | -               | -   | -    | -                | -             | -   | -   | -    | -    | -        | -        |   |
| 1-968859-4  | E          | 1-968877-4           | E    | 1-968877-4            | E    | Cu/NiSi  | SILVER PLATED versilbert | -                      | -                 | -               | -     | -   | -   | -               | -   | -   | -                | -   | -    | -               | -   | -    | -                | -             | -   | -   | -    | -    | -        | -        |   |
| 1-968859-3  | E          | 1-968877-3           | E    | 1-968877-3            | E    | Cu/NiSi  | SILVER PLATED versilbert | -                      | -                 | -               | -     | -   | -   | -               | -   | -   | -                | -   | -    | -               | -   | -    | -                | -             | -   | -   | -    | -    | -        | -        |   |
| 1-968859-2  | -          | 1-968877-2           | -    | 1-968877-2            | -    | Cu/NiSi  | GOLD PLATED vergoldet    | x-541537-x             | Matrize 539727-2  | 4.0             | 2.27  | 4.5   | 4.7 | 2.3             | 6.0 | 6.0 | 4.3              | 3.4 | 4.8  | 2.3             | 5.5 | 5.4  | 3.3              | 4.3           | 6.9 | 8.5 | 1.25 | 22.6 | 828985-1 | 828986-1 |   |
| 1-968859-1  | E          | 1-968877-1           | E    | 1-968877-1            | E    | Cu/NiSi  | PRE TIN PLATED verzinkt  | -                      | -                 | -               | -     | -   | -   | -               | -   | -   | -                | -   | -    | -               | -   | -    | -                | -             | -   | -   | -    | -    | -        | -        |   |
| 1-968857-4  | E          | 1-968876-4           | E    | 1-968876-4            | E    | Cu/NiSi  | SILVER PLATED versilbert | -                      | -                 | -               | -     | -   | -   | -               | -   | -   | -                | -   | -    | -               | -   | -    | -                | -             | -   | -   | -    | -    | -        | -        |   |
| 1-968857-3  | E          | 1-968876-3           | E    | 1-968876-3            | E    | Cu/NiSi  | SILVER PLATED versilbert | x-878974-x             | Basis-HZ 539635-1 | 2.5             | 1.88  | 3.6   | 3.8 | 1.7             | 5.0 | 5.0 | 3.5              | 2.8 | 3.9  | 1.7             | 4.8 | 4.4  | 2.8              | 3.5           | 5.9 | 7.5 | 0.8  | 21   | 828905-1 | 828922-1 |   |
| 1-968857-2  | -          | 1-968876-2           | -    | 1-968876-2            | -    | Cu/NiSi  | GOLD PLATED vergoldet    | -                      | -                 | -               | -     | -   | -   | -               | -   | -   | -                | -   | -    | -               | -   | -    | -                | -             | -   | -   | -    | -    | -        | -        |   |
| 1-968857-1  | E          | 1-968876-1           | E    | 1-968876-1            | E    | Cu/NiSi  | PRE TIN PLATED verzinkt  | -                      | -                 | -               | -     | -   | -   | -               | -   | -   | -                | -   | -    | -               | -   | -    | -                | -             | -   | -   | -    | -    | -        | -        |   |
| 1-968855-4  | E          | 1-968875-4           | E    | 1-968875-4            | E    | Cu/NiSi  | SILVER PLATED versilbert | -                      | -                 | -               | -     | -   | -   | -               | -   | -   | -                | -   | -    | -               | -   | -    | -                | -             | -   | -   | -    | -    | -        | -        |   |
| 1-968855-3  | E          | 1-968875-3           | E    | 1-968875-3            | E    | Cu/NiSi  | SILVER PLATED versilbert | x-878973-x             | Basis-HZ 539635-1 | 1.0             | 1.36  | 2.5   | 2.7 | 1.2             | 4.8 | 4.8 | 3.3              | 2.2 | 2.8  | 1.2             | 4.4 | 4.2  | 2.6              | 3             | 5.4 | 7   | 0.75 | 21   | 828904-1 | 828922-1 |   |
| 1-968855-2  | E          | 1-968875-2           | E    | 1-968875-2            | E    | Cu/NiSi  | GOLD PLATED vergoldet    | -                      | -                 | -               | -     | -   | -   | -               | -   | -   | -                | -   | -    | -               | -   | -    | -                | -             | -   | -   | -    | -    | -        | -        |   |
| 1-968855-1  | E          | 1-968875-1           | E    | 1-968875-1            | E    | Cu/NiSi  | PRE TIN PLATED verzinkt  | -                      | -                 | -               | -     | -   | -   | -               | -   | -   | -                | -   | -    | -               | -   | -    | -                | -             | -   | -   | -    | -    | -        | -        |   |
| 1-968882-3  | E          | 1-968896-3           | E    | 1-968896-3            | E    | Cu/NiSi  | SILVER PLATED versilbert | x-541563-x             | Basis-HZ 539635-1 | 0.35            | 1.08  | 2.1   | 2.1 | 0.8             | 4.5 | 4.5 | 3.2              | 1.7 | 2.15 | 0.8             | 4.2 | 4.15 | 2.4              | 2.5           | 4.9 | 6.5 | 0.75 | 21   | 828904-1 | 828922-1 |   |
| 1-968882-2  | -          | 1-968896-2           | -    | 1-968896-2            | -    | Cu/NiSi  | GOLD PLATED vergoldet    | -                      | -                 | -               | -     | -   | -   | -               | -   | -   | -                | -   | -    | -               | -   | -    | -                | -             | -   | -   | -    | -    | -        | -        |   |
| 1-968882-1  | E          | 1-968896-1           | E    | 1-968896-1            | E    | Cu/NiSi  | PRE TIN PLATED verzinkt  | -                      | -                 | -               | -     | -   | -   | -               | -   | -   | -                | -   | -    | -               | -   | -    | -                | -             | -   | -   | -    | -    | -        | -        |   |
| 1-968853-3  | E          | 1-968874-3           | E    | 1-968874-3            | E    | Cu/NiSi  | SILVER PLATED versilbert | x-541534-x             | Basis-HZ 539635-1 | 4.0             | 2.27  | 4.5   | 4.7 | 2.3             | 5.7 | 5.9 | 3.3              | 3.4 | 4.8  | 2.3             | 4.4 | 5.2  | 2.6              | 4.3           | 6.6 | 8.5 | 0.8  | 22.6 | -        | -        |   |
| 1-968853-2  | -          | 1-968874-2           | -    | 1-968874-2            | -    | Cu/NiSi  | GOLD PLATED vergoldet    | -                      | -                 | -               | -     | -   | -   | -               | -   | -   | -                | -   | -    | -               | -   | -    | -                | -             | -   | -   | -    | -    | -        | -        |   |
| 1-968853-1  | E          | 1-968874-1           | E    | 1-968874-1            | E    | Cu/NiSi  | PRE TIN PLATED verzinkt  | -                      | -                 | -               | -     | -   | -   | -               | -   | -   | -                | -   | -    | -               | -   | -    | -                | -             | -   | -   | -    | -    | -        | -        |   |
| 1-968851-3  | E          | 1-968873-3           | E    | 1-968873-3            | E    | Cu/NiSi  | SILVER PLATED versilbert | x-541536-x             | Basis-HZ 539635-1 | 2.5             | 1.88  | 3.6   | 3.8 | 1.7             | 4.6 | 4.8 | 2.6              | 2.8 | 3.9  | 1.7             | 3.8 | 4.4  | 2.3              | 3.5           | 5.1 | 6.7 | 0.3  | 20.2 | -        | -        |   |
| 1-968851-2  | E          | 1-968873-2           | E    | 1-968873-2            | E    | Cu/NiSi  | GOLD PLATED vergoldet    | -                      | -                 | -               | -     | -   | -   | -               | -   | -   | -                | -   | -    | -               | -   | -    | -                | -             | -   | -   | -    | -    | -        | -        |   |
| 1-968851-1  | E          | 1-968873-1           | E    | 1-968873-1            | E    | Cu/NiSi  | PRE TIN PLATED verzinkt  | x-541628-x             | Matrize 539723-2  | 1.5             | 1.58  | 0.50 ± 0.05<br>0.75 ± 0.05<br>0.75 ± 1.00<br>0.25 ± 1.50<br>1.00 ± 1.50 | 2.5 | 2.7             | 1.2 | 3.3 | 3.5              | 1.8 | 2.2  | 2.8             | 1.2 | 2.8  | 3.2              | 1.6           | 3   | 4.6 | 6.2  | 0.2  | 20.2     | -        | - |
| 1-968849-3  | E          | 1-968872-3           | E    | 1-968872-3            | E    | Cu/NiSi  | SILVER PLATED versilbert | x-541535-x             | Basis-HZ 539635-1 | 1.0             | 1.36  | 2.5   | 2.7 | 1.2             | 3.3 | 3.5 | 1.8              | 2.2 | 2.8  | 1.2             | 2.8 | 3.2  | 1.6              | 3             | 4.6 | 6.2 | 0.2  | 20.2 | -        | -        |   |
| 1-968849-2  | E          | 1-968872-2           | E    | 1-968872-2            | E    | Cu/NiSi  | GOLD PLATED vergoldet    | -                      | -                 | -               | -     | -   | -   | -               | -   | -   | -                | -   | -    | -               | -   | -    | -                | -             | -   | -   | -    | -    | -        | -        |   |
| 1-968849-1  | E          | 1-968872-1           | E    | 1-968872-1            | E    | Cu/NiSi  | PRE TIN PLATED verzinkt  | x-541627-x             | Matrize 539722-2  | 0.5             | 1.18  | 0.50 ± 0.50   | 2.5 | 2.7             | 1.2 | 3.3 | 3.5              | 1.8 | 2.2  | 2.8             | 1.2 | 2.8  | 3.2              | 1.6           | 3   | 4.6 | 6.2  | 0.2  | 20.2     | -        |   |
| 1-968880-3  | E          | 1-968895-3           | E    | 1-968895-3            | E    | Cu/NiSi  | SILVER PLATED versilbert | x-541562-x             | Basis-HZ 539635-1 | 0.5             | 1.14  | 2.1   | 2.1 | 0.8             | 2.9 | 2.9 | 1.4              | 1.7 | 2.15 | 0.8             | 2.5 | 2.5  | 1.4              | 2.5           | 3.7 | 5.7 | 0.2  | 20.2 | -        | -        |   |
| 1-968880-2  | -          | 1-968895-2           | -    | 1-968895-2            | -    | Cu/NiSi  | GOLD PLATED vergoldet    | -                      | -                 | -               | -     | -   | -   | -               | -   | -   | -                | -   | -    | -               | -   | -    | -                | -             | -   | -   | -    | -    | -        | -        |   |
| 1-968880-1  | E          | 1-968895-1           | E    | 1-968895-1            | E    | Cu/NiSi  | PRE TIN PLATED verzinkt  | -                      | -                 | -               | -     | -   | -   | -               | -   | -   | -                | -   | -    | -               | -   | -    | -                | -             | -   | -   | -    | -    | -        | -        |   |

THIS DRAWING IS A CONTROLLED DOCUMENT.  
DIESE ZEICHNUNG IST EIN KONTROLLIERTES DOKUMENT.

|   |                             |                         |                 |  |
|---|-----------------------------|-------------------------|-----------------|--|
| DIMENSIONS: DIMENSIONEN mm                    | APPROVED FOR RELEASE        | DIN S. Blidor 22.09.97  |                 | TE Connectivity                              |
| MATERIAL                                      | FINISH / OBERFLÄCHE / FARBE | APVD J. Woller 22.09.97 |                 | NAME   |
| APPLICATION SPEC VERARBEITUNGS-SPEZ 114-18148 |                             | SIZE A1                 | CAGE CODE 00779 | DRAWING NO. (REPLACES 116-18018-001) 1355036 |
| CUSTOMER DRAWING / KUNDENZICHNUNG             |                             | SCALE MASSSTAB 5:1      | SHEET 1         | OF 1   |