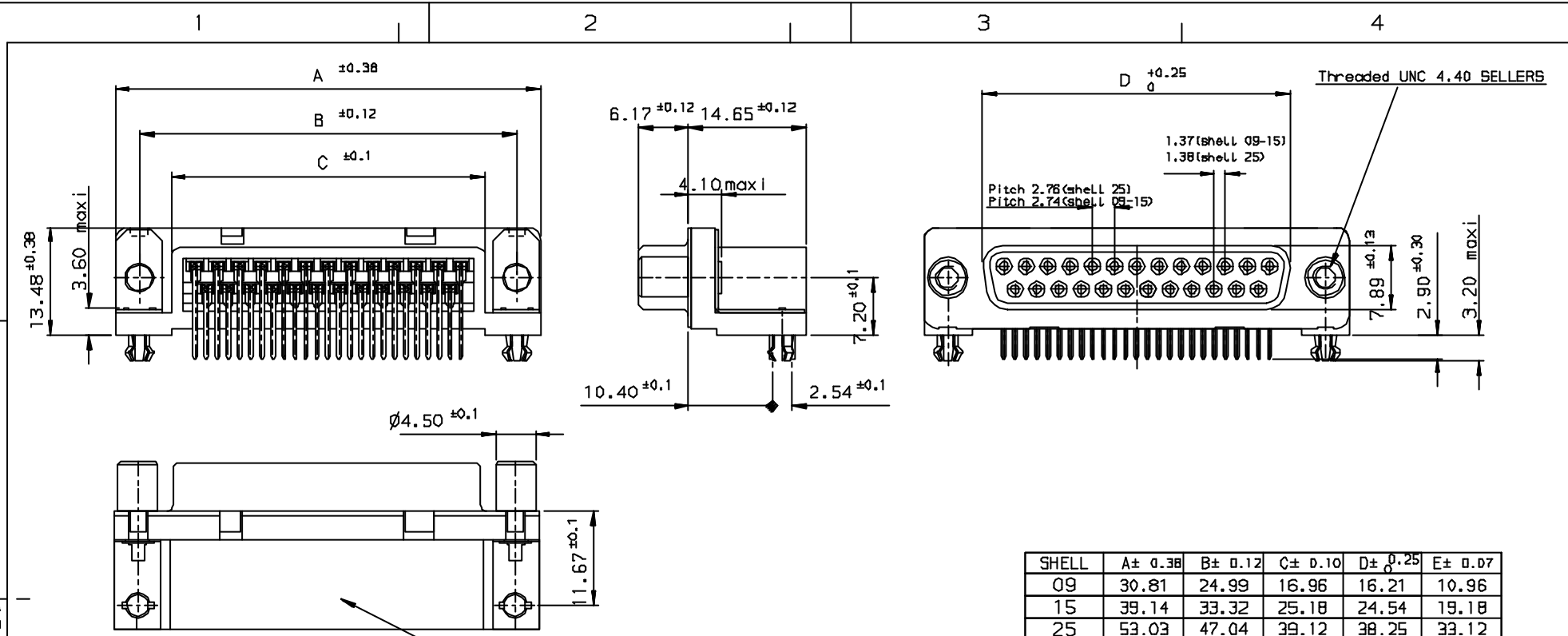


Tous droits strictement réservés. Reproduction ou communication à des tiers interdite sans autorisation écrite de la Direction des Conception. Propriété de FCI. Droits de reproduction FCI.

FCI

All rights strictly reserved. Reproduction or issues in third parties in any form without the written authority from the proprietor. Property of FCI. Copyright FCI.

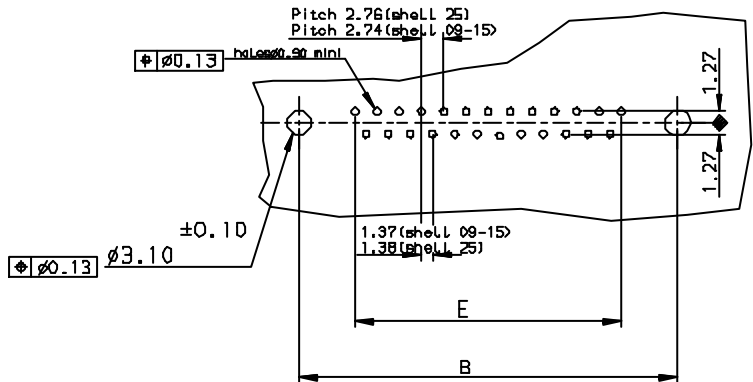


Part Number & Date Code Printing

SHELL	A± 0.38	B± 0.12	C± 0.10	D± 0.25	E± 0.07
09	30.81	24.99	16.96	16.21	10.96
15	39.14	33.32	25.18	24.54	19.18
25	53.03	47.04	39.12	38.25	33.12

GENERAL CHARACTERISTICS - SEE DRAWING C01-8646-0000

PC card drilling dimensions (after plating)
(thickness 1.60±0.20mm)



Core range		
SHELL	PART NUMBER	DESIGNATIONS
09	D09S13A4GV00**	RECEPTACLE 9 CTS RIGHT ANGLED-SOLDER TO BOARD-PCB HARPOON-SCREWLOCK UNC 4.40-ELEC.CONTIN.-PERFORM. LEVEL PL3
15	D15S13A4GV00**	RECEPTACLE 15 CTS RIGHT ANGLED-SOLDER TO BOARD-PCB HARPOON-SCREWLOCK UNC 4.40-ELEC.CONTIN.-PERFORM. LEVEL PL3
25	D25S13A4GV00**	RECEPTACLE 25 CTS RIGHT ANGLED-SOLDER TO BOARD-PCB HARPOON-SCREWLOCK UNC 4.40-ELEC.CONTIN.-PERFORM. LEVEL PL3

LF FOR LEAD FREE

Dr JOHN SLEEBA		1/8/94	Product Family	✓	Tolerance LINEAR ±0.1 ANGULAR ±1°	Projection	MM
Eng GEORGE VJ		1/8/94	Spec ref	D-SUB	Size	A3	Scale
Chr GEORGE VJ		27/7/05	Material		ECN		
Appr K Somasundaram		27/7/05					
FCI		Title RECEPTACLE DELTA D WITH SCREWLOCK, HARPOON, METAL PLATE.		Dwg no C01-8646-0291		Rev. 9	
Catalog no		DELTA-D		CUSTOMER COPY		Sheet 1 of 2	

g	DATE	REVISION DESCRIPTION
g	27/7/05	LEAD FREE DETAILS ADDED
INDEX	DATE	REVISION DESCRIPTION

Tous droits strictement reserves. Reproduction ou communication a des tiers interdite sous quelque forme que ce soit sans autorisation ecrite du Propriete de c FCI. Droits de reproduction FCI.

FCI

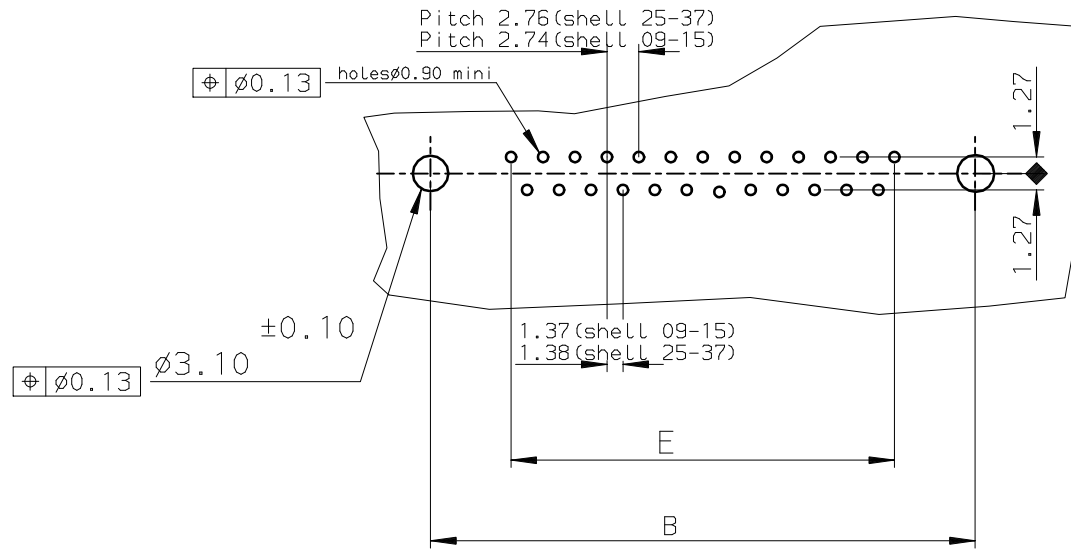
All rights strictly reserved. Reproduction or issue to third parties in any form whatever is not permitted without written authority from the proprietor. Property of FCI. Copyright FCI.

LF FOR LEAD FREE

SHELL	PART NUMBER	DESIGNATIONS
09	D09S13A*G*00**	RECEPTACLE 9 CTS RIGHT ANGLED-SOLDER TO BOARD-PCB HARPOON-SCREWLOCK -ELEC.CONTIN.
15	D15S13A*G*00**	RECEPTACLE 15 CTS RIGHT ANGLED-SOLDER TO BOARD-PCB HARPOON-SCREWLOCK -ELEC.CONTIN.
25	D25S13A*G*00**	RECEPTACLE 25 CTS RIGHT ANGLED-SOLDER TO BOARD-PCB HARPOON-SCREWLOCK -ELEC CONTIN.
37	D37S13A*G*00**	RECEPTACLE 37 CTS RIGHT ANGLED-SOLDER TO BOARD-PCB HARPOON-SCREWLOCK -ELEC.CONTIN.

4 = Performance Level PL3 ≥ 200 OPERATIONS
 6 = Performance Level PL1 ≥ 500 OPERATIONS
 I =SCREWLOCK Threaded M3
 V =SCREWLOCK Threaded UNC 4.40 sellers

PC card drilling dimensions(after plating)
 (thickness 1.60±0.20mm)



SHELL	A ± 0.38	B ± 0.12	C ± 0.10	D ± 0.25	E ± 0.07
09	30.81	24.99	16.96	16.21	10.96
15	39.14	33.32	25.18	24.54	19.18
25	53.03	47.04	39.12	38.25	33.12
37	69.32	63.50	55.68	54.71	49.68

GENERAL CHARACTERISTICS : SEE DRAWING C01-8646-0000

		✓		Tolerance LINEAR ±0.1 ANGULAR ±1°	Projection 	MM
Dr	JOHN SLEEBA	1\8\94	Product Family	D-SUB	Size A3	Scale
Eng	GEORGE VJ	1\8\94	Spec ref			
Chr	GEORGE VJ	27\7\05	Material		ECN	
Appr	K Somasundaram	27\7\05				
FCI		Title RECEPTACLE DELTA D WITH SCREWLOCK, HARPOON, METAL PLATE.			Dwg no C01-8646-0291	Rev. e
INDEX		DATE		REVISION DESCRIPTION		Catalog no DELTA-D
				CUSTOMER COPY		Sheet 1 of 1

e	DATE	REVISION DESCRIPTION
e	27\7\05	LEAD FREE DETAILS ADDED