

**Product number CP13665_LARISA-RZ-CLIP8**

Family	Larisa	FWHM	27 degrees
Type	Assembly	Efficiency	73 %
LED	XB-D	cd/lm	2.280
Color	Black	Gerber File	Available
Diameter	9.9x9.9 mm		
Height	7.5 mm		
Style	Square		
Optic Material	PC,PMMA		
Holder Material	-		
Fastening	["clips"]		
Status	Production ready		

**Product number CP13666_LARISA-RZ-CLIP16**

Family	Larisa	FWHM	27 degrees
Type	Assembly	Efficiency	73 %
LED	XB-D	cd/lm	2.280
Color	Black	Gerber File	Available
Diameter	9.9x9.9 mm		
Height	7.5 mm		
Style	Square		
Optic Material	PMMA		
Holder Material	-		
Fastening	["clips"]		
Status	Production ready		

**Product number CP12940_LARISA-M-CLIP8**

Family	Larisa	FWHM	30 degrees
Type	Assembly	Efficiency	87 %
LED	XB-D	cd/lm	2.300
Color	Black	Gerber File	Available
Diameter	9.9 + 9.9 mm		
Height	7.5 mm		
Style	Square		
Optic Material	PMMA		
Holder Material	-		
Fastening	["clips"]		
Status	Production ready		

**Product number CP12941_LARISA-M-CLIP16**

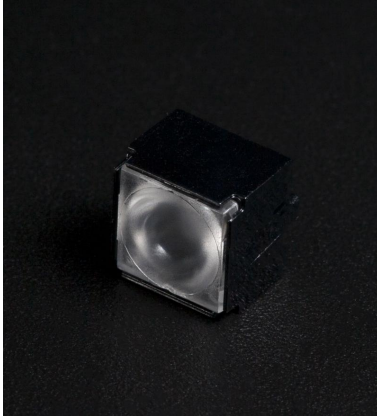
Family	Larisa	FWHM	30 degrees
Type	Assembly	Efficiency	84 %
LED	XB-D	cd/lm	2.300
Color	Black	Gerber File	Available
Diameter	9.9 + 9.9 mm		
Height	7.5 mm		
Style	Square		
Optic Material	PMMA		
Holder Material	-		
Fastening	["clips"]		
Status	Production ready		

**Product number CP12942_LARISA-O-CLIP8**

Family	Larisa	FWHM	39+21 degrees
Type	Assembly	Efficiency	79 %
LED	XB-D	cd/lm	2.200
Color	Black	Gerber File	Available
Diameter	9.9 + 9.9 mm		
Height	7.5 mm		
Style	Square		
Optic Material	PMMA		
Holder Material	-		
Fastening	["clips"]		
Status	Production ready		

**Product number CP12943_LARISA-O-CLIP16**

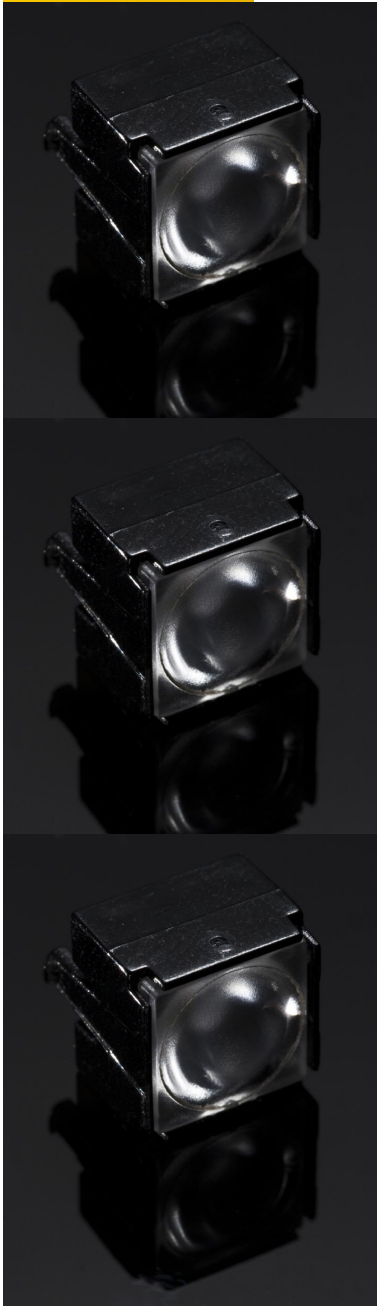
Family	Larisa	FWHM	39+21 degrees
Type	Assembly	Efficiency	80 %
LED	XB-D	cd/lm	2.200
Color	Black	Gerber File	Available
Diameter	9.9 + 9.9 mm		
Height	7.5 mm		
Style	Square		
Optic Material	PMMA		
Holder Material	-		
Fastening	["clips"]		
Status	Production ready		

**Product number CP15307_LARISA-W-PIN**

Family	Larisa	FWHM	43 degrees
Type	Assembly	Efficiency	79 %
LED	XB-D	cd/lm	1.300
Color	Black	Gerber File	Available
Diameter	9.9 +9.9 mm		
Height	7.5 mm		
Style	Square		
Optic Material	PMMA		
Holder Material	-		
Fastening	["glue", "pin"]		
Status	Production ready		

**Product number CP12944_LARISA-W-CLIP8**

Family	Larisa	FWHM	45 degrees
Type	Assembly	Efficiency	84 %
LED	XB-D	cd/lm	1.300
Color	Black	Gerber File	Available
Diameter	9.9 x 9.9 mm		
Height	7.5 mm		
Style	Square		
Optic Material	PMMA,PC		
Holder Material	-		
Fastening	["glue", "clips"]		
Status	Production ready		

**Product number CP12945_LARISA-W-CLIP16**

Family	Larisa	FWHM	45 degrees
Type	Assembly	Efficiency	84 %
LED	XB-D	cd/lm	1.300
Color	Black	Gerber File	Available
Diameter	9.9 x 9.9 mm		
Height	7.5 mm		
Style	Square		
Optic Material	PMMA		
Holder Material	-		
Fastening	["glue", "clips"]		
Status	Production ready		

Product number CP12946_LARISA-WW-CLIP8

Family	Larisa	FWHM	57 degrees
Type	Assembly	Efficiency	84 %
LED	XB-D	cd/lm	0.900
Color	Black	Gerber File	Available
Diameter	10x10 mm		
Height	7.5 mm		
Style	Square		
Optic Material	PMMA		
Holder Material	-		
Fastening	["glue", "clips"]		
Status	Production ready		

Product number CP12947_LARISA-WW-CLIP16

Family	Larisa	FWHM	57 degrees
Type	Assembly	Efficiency	84 %
LED	XB-D	cd/lm	0.900
Color	Black	Gerber File	Available
Diameter	10x10 mm		
Height	7.5 mm		
Style	Square		
Optic Material	PMMA		
Holder Material	-		
Fastening	["glue", "clips"]		
Status	Production ready		

NOTE: The typical divergence will be changed by different color, chip size and chip position tolerance. The typical total divergence is the full angle measured where the luminous intensity is half of the peak value.



PRODUCT DATASHEET

Larisa series

last update 3/2/2017

GENERAL INFORMATION

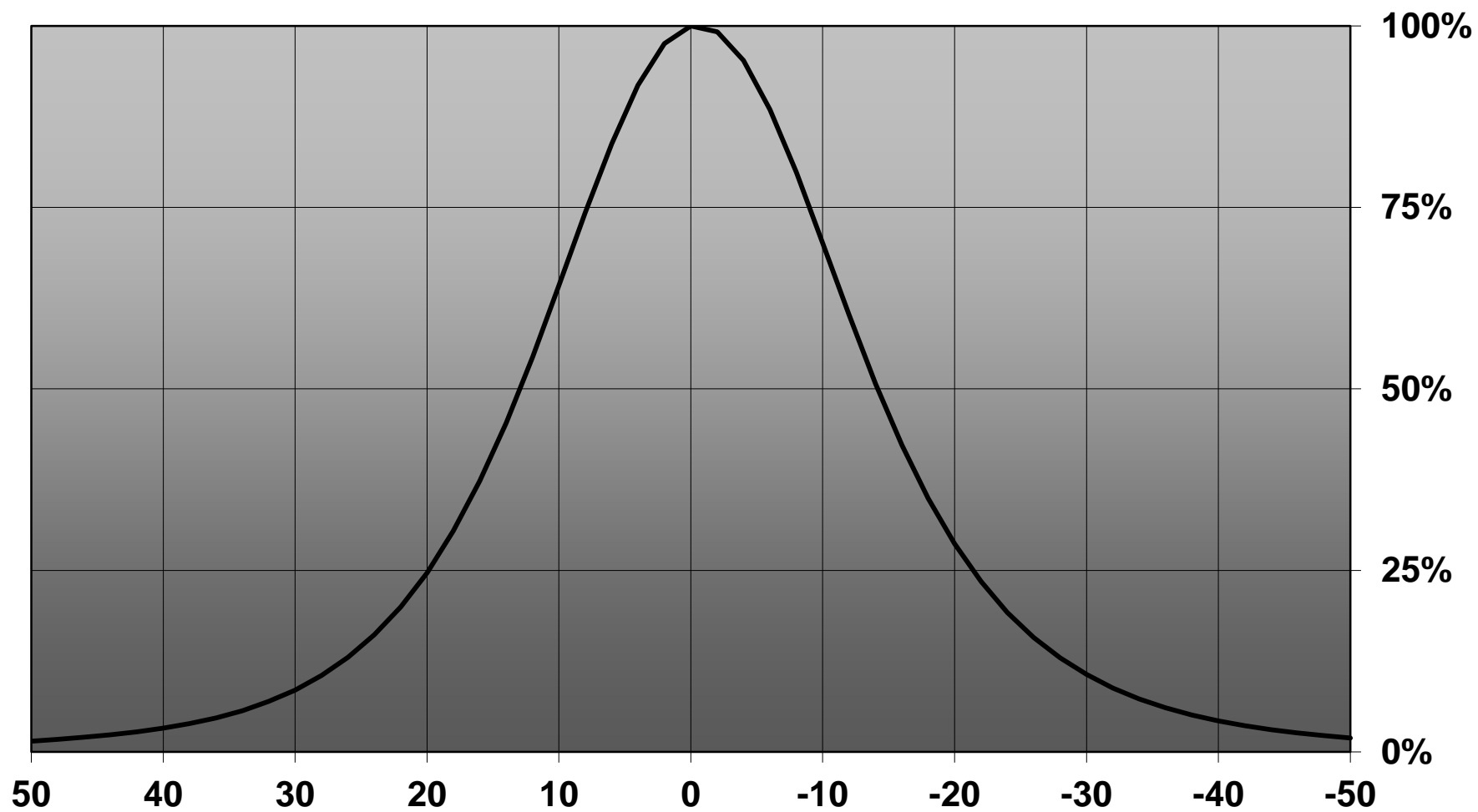
- Product series especially designed & optimized for XB-D series of LEDs.
- Special care taken to make light distribution as uniform as possible.
- Lens material optical grade PMMA with high UV and temperature resistance. Allows use of high current and temperature conditions.

Please find more information about used material from below:

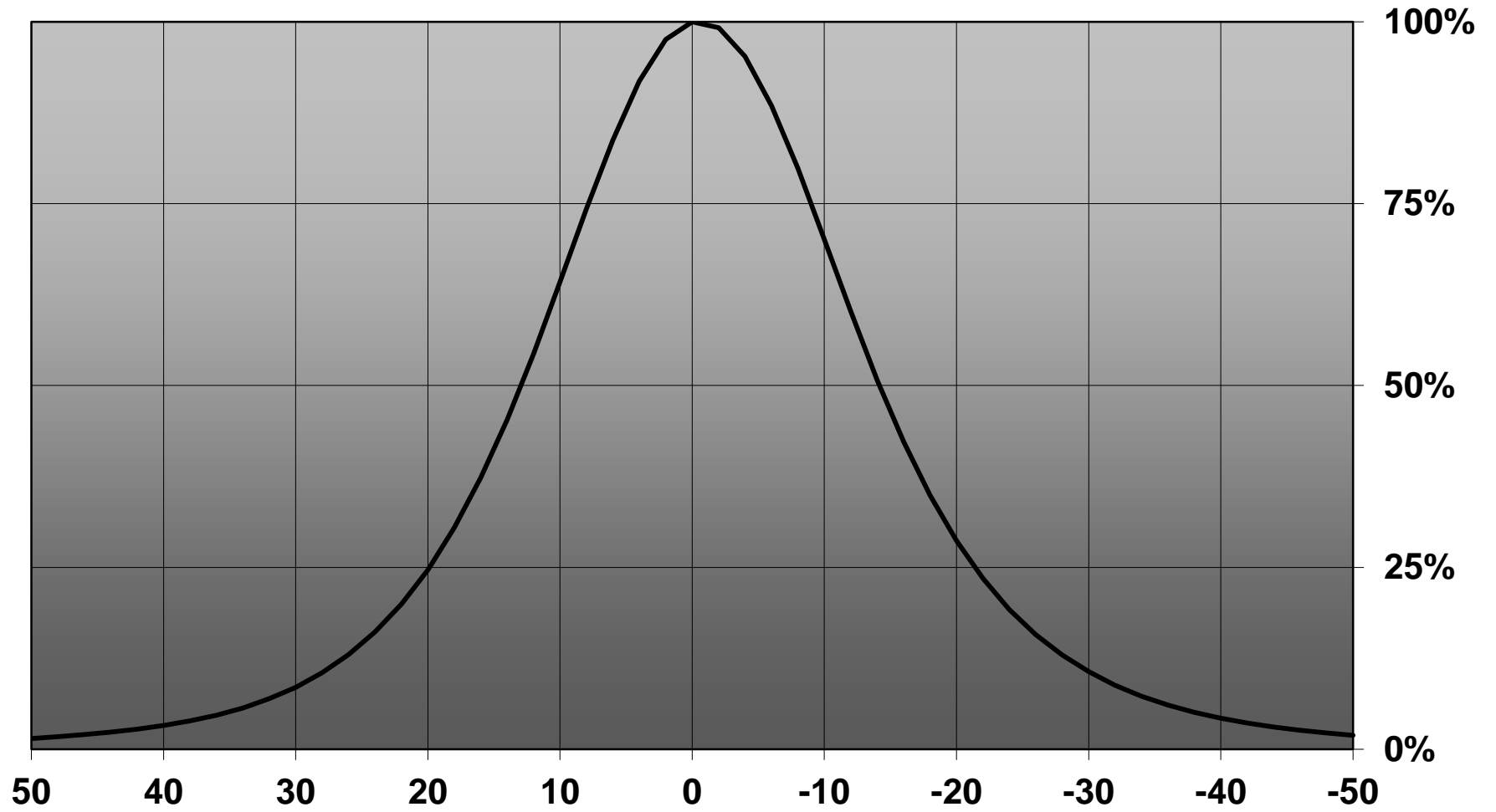
http://ledil.fi/sites/default/files/Documents/Technical/Material/PMMA%20N%20UL94_Yellow%20Card.pdf

<http://ledil.fi/sites/default/files/Documents/Technical/Material/PMMA%20N%20PLEXIGLAS-Datasheet.pdf>

Relative intensity of CP13665_LARISA-RZ-CLIP8 (XBD)



Relative intensity of CP13666_LARISA-RZ-CLIP16 (XBD)



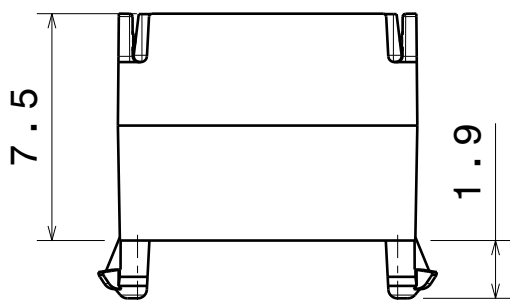
D

C

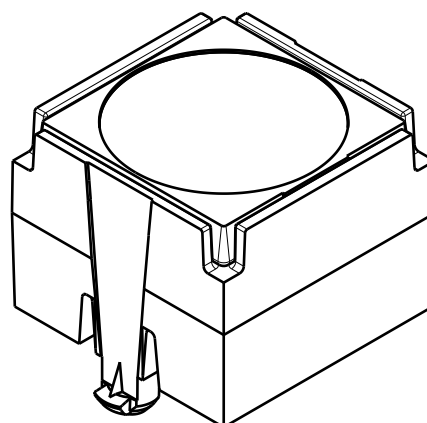
B

A

4

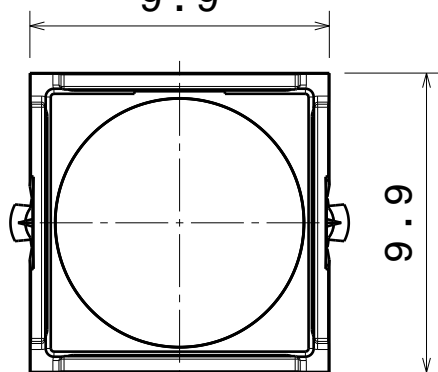


Front view

Isometric view
Scale: 4:1

3

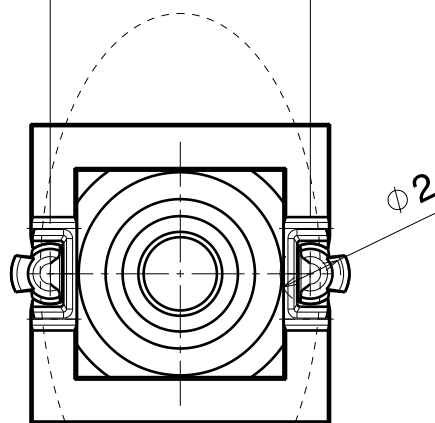
9.9



Top view

8.6

c / c



Bottom view

Oval beam direction

2

2

INDEX	PART NO	DESCRIPTION	MATERIAL	COLOUR
1	-	LARISA lens	PMMA	
2	C12907	LARISA-HOLDER-CLIP8	PC	black

Tolerances if not otherwise shown
According to DIN ISO 2768-1
Linear measures:
Up to 30mm class M, otherwise class C.
According to DIN ISO 2768-2
Form and position: class L

LEDiL

Ledil Oy
Salorankatu 10
FIN 24240 SALO
Finland

THIRD ANGLE PROJECTION:



DRAWING TITLE

LARISA-CLIP8

This drawing is the property
of LEDiL Oy. It may not be
reproduced, copied or
communicated without a written
agreement with LEDiL Oy.

SIZE PART NUMBER

A4

-

SCALE 4:1 WEIGHT 0,6 g SHEET 1/1

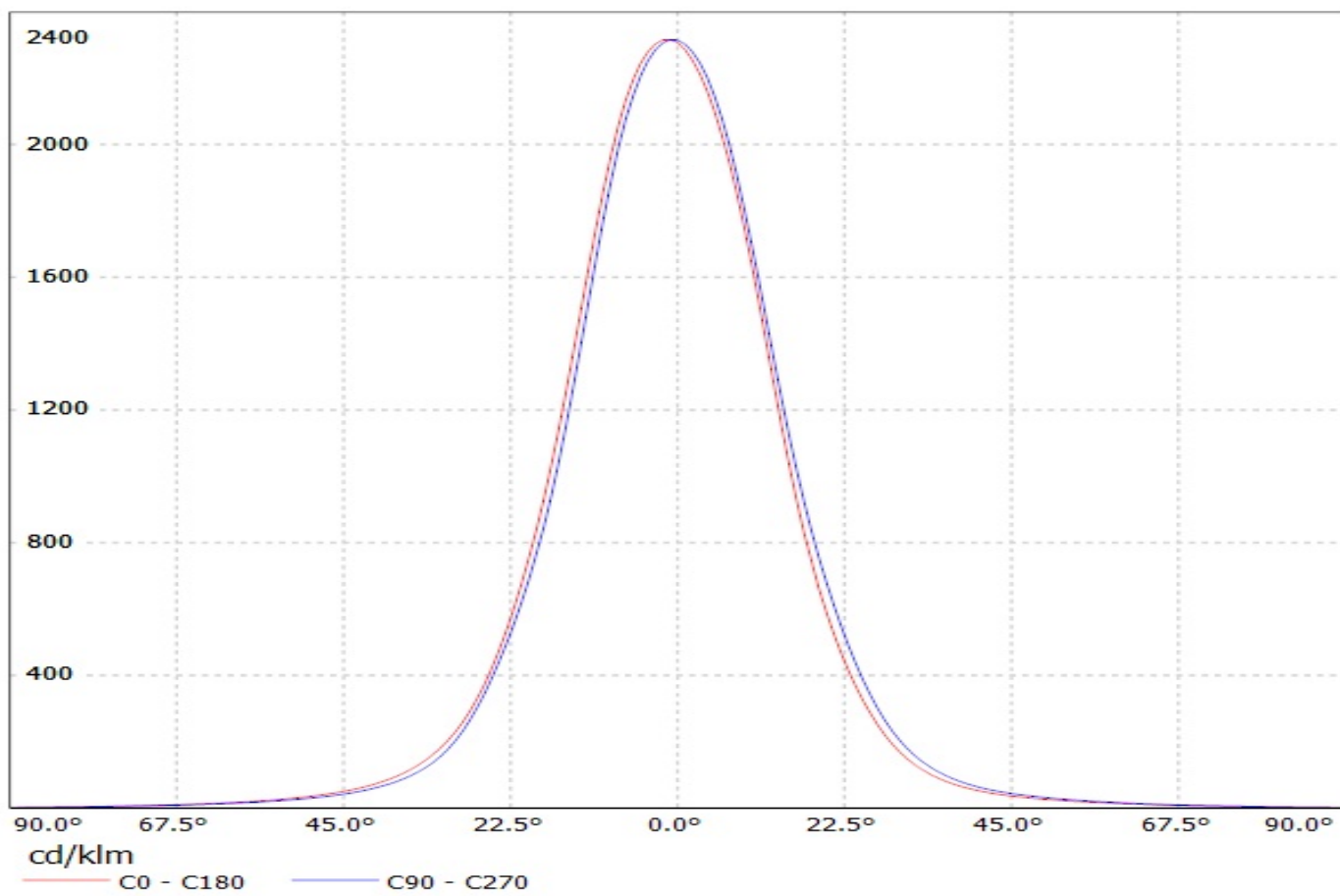
1

1

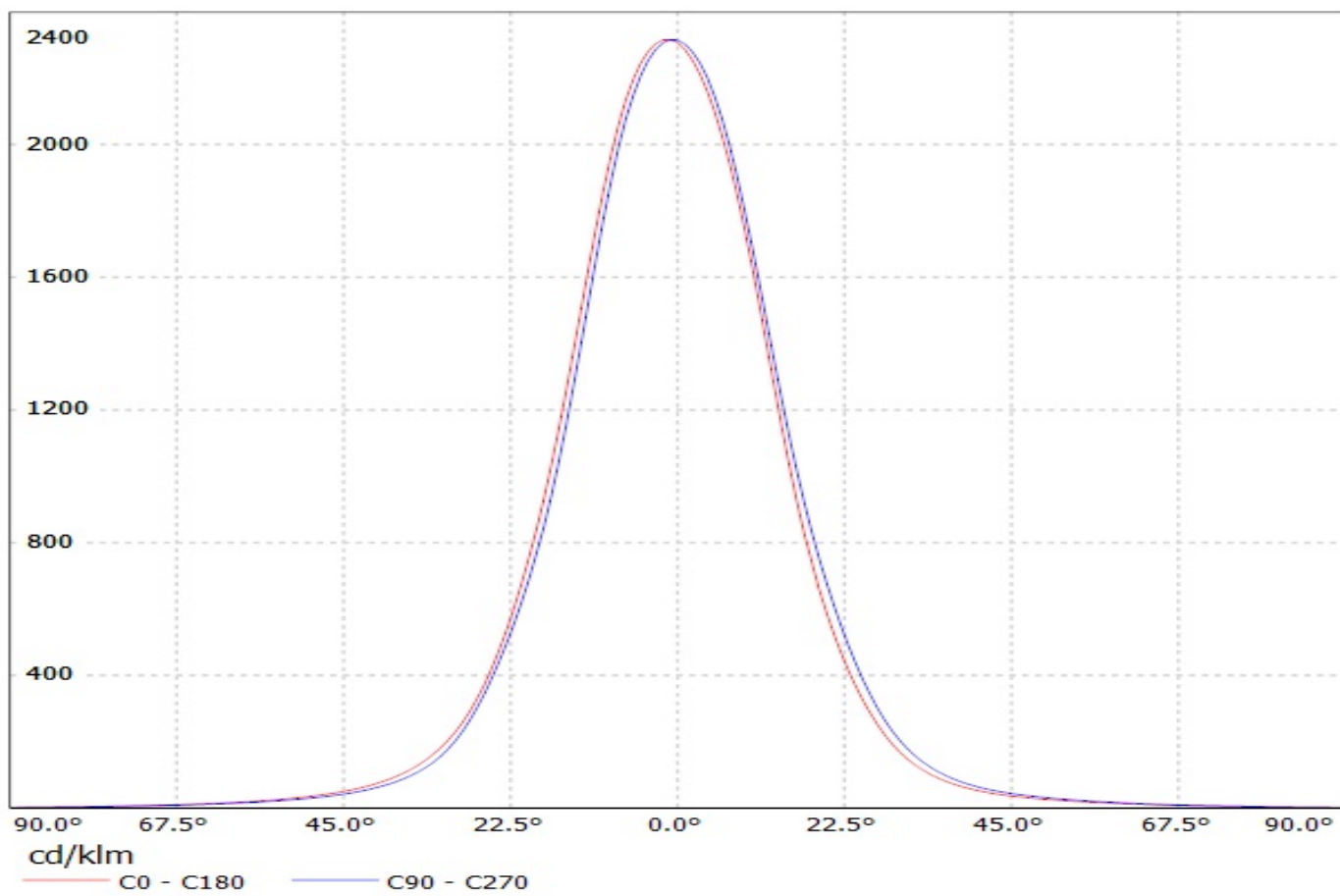
D

A

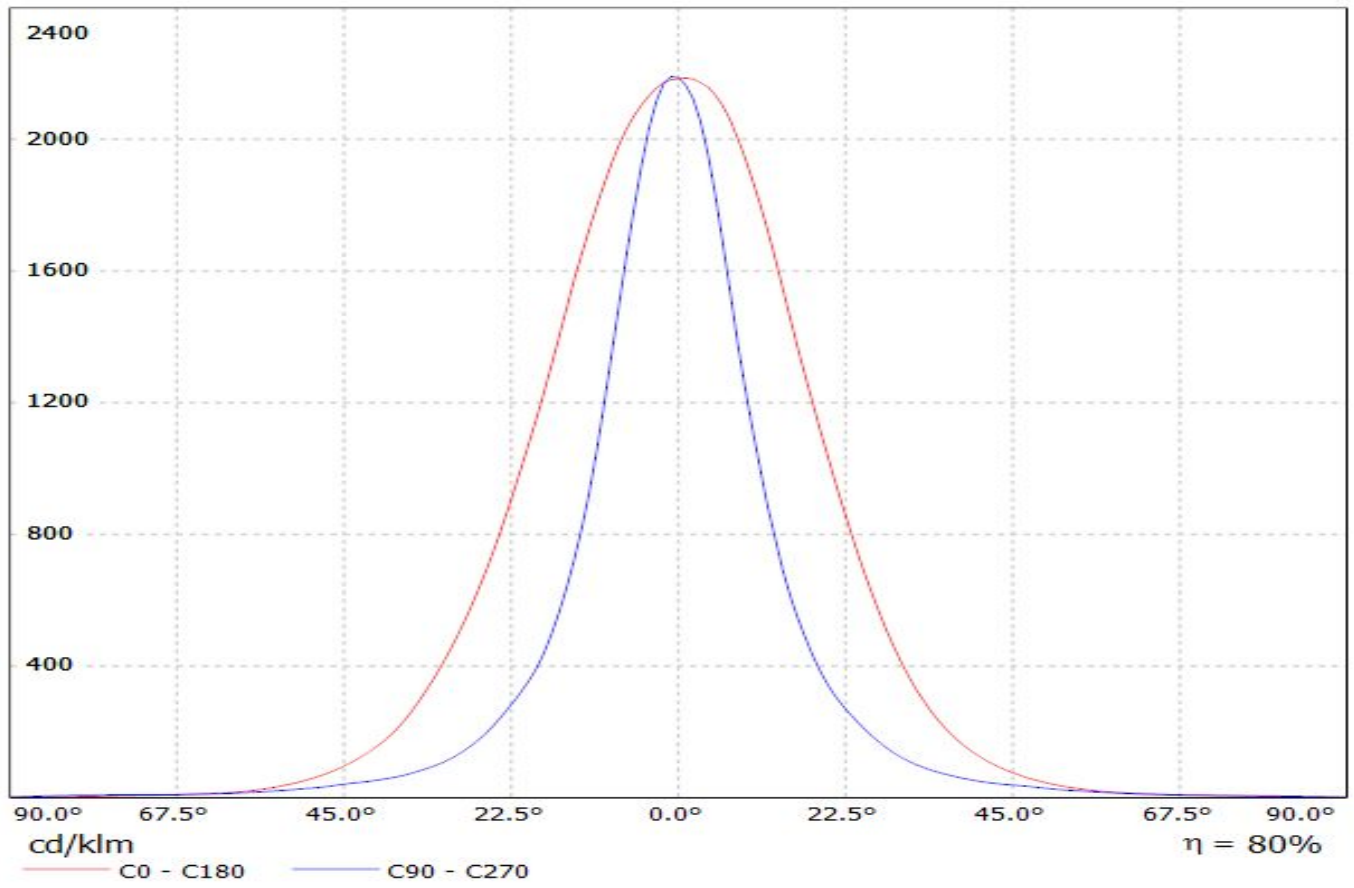
Valaisin: LEDiL Oy LARISA-M_XB-D_(CLIP8&CLIP16) Eff.84.0%
Lamput: 1 x XB-D (91.7428lm@250mA)



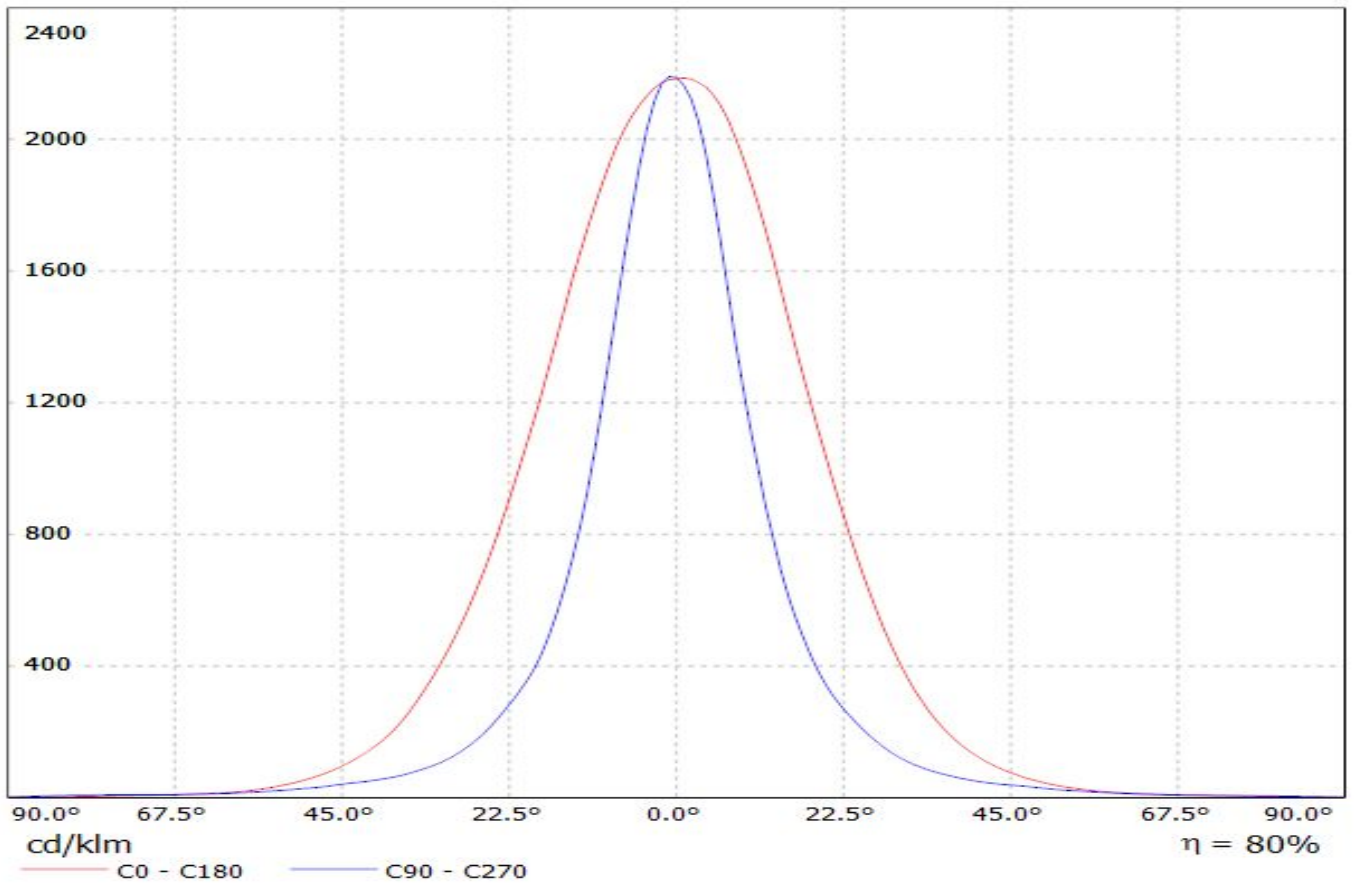
Valaisin: LEDiL Oy LARISA-M_XB-D_(CLIP8&CLIP16) Eff.84.0%
Lamput: 1 x XB-D (91.7428lm@250mA)



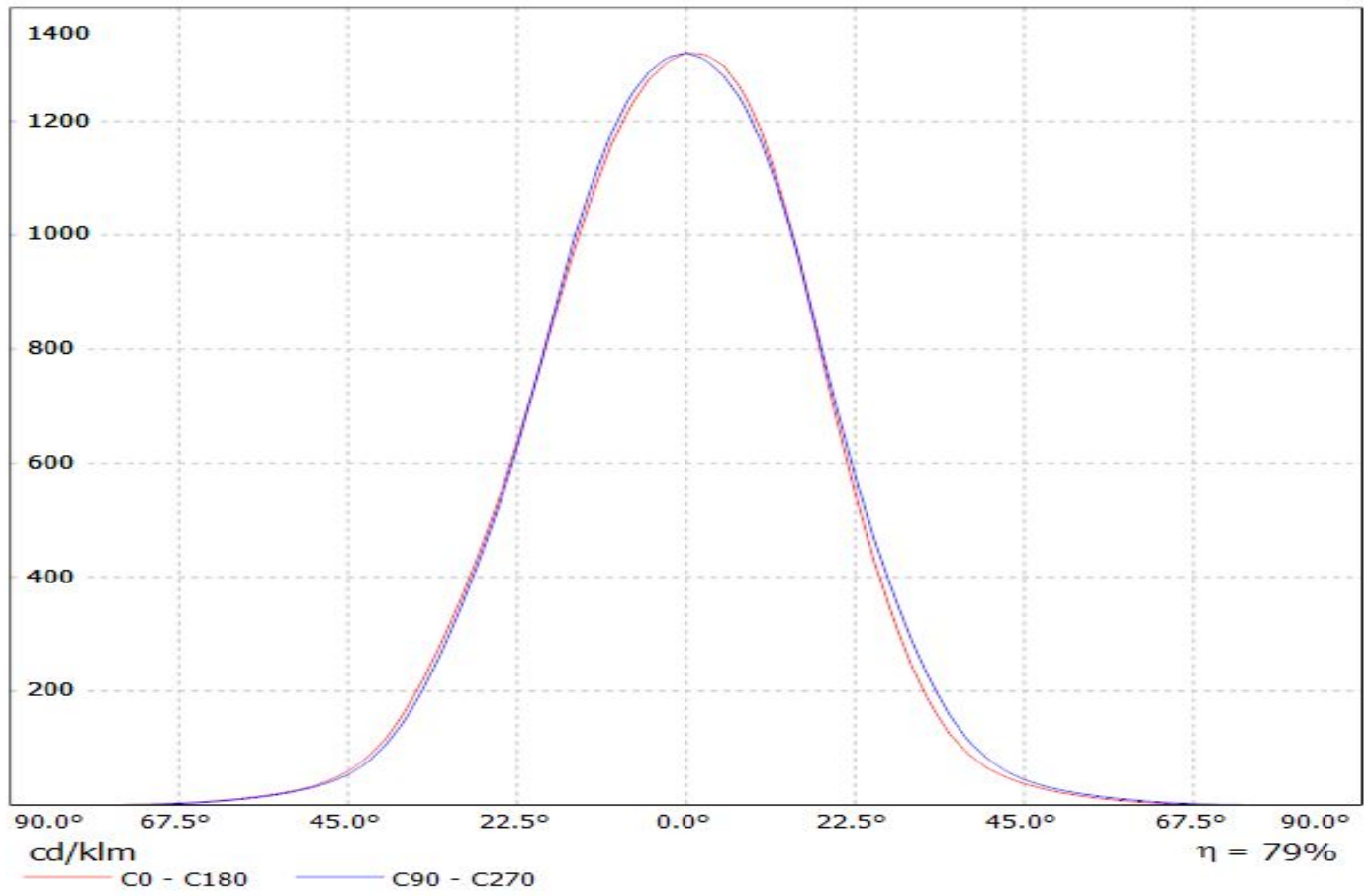
Luminaire: LEDiL Oy LARISA-O_XB-D_(CLIP8&CLIP16) Eff.79.8%
Lamps: 1 x XB-D (91.7428lm@250mA)



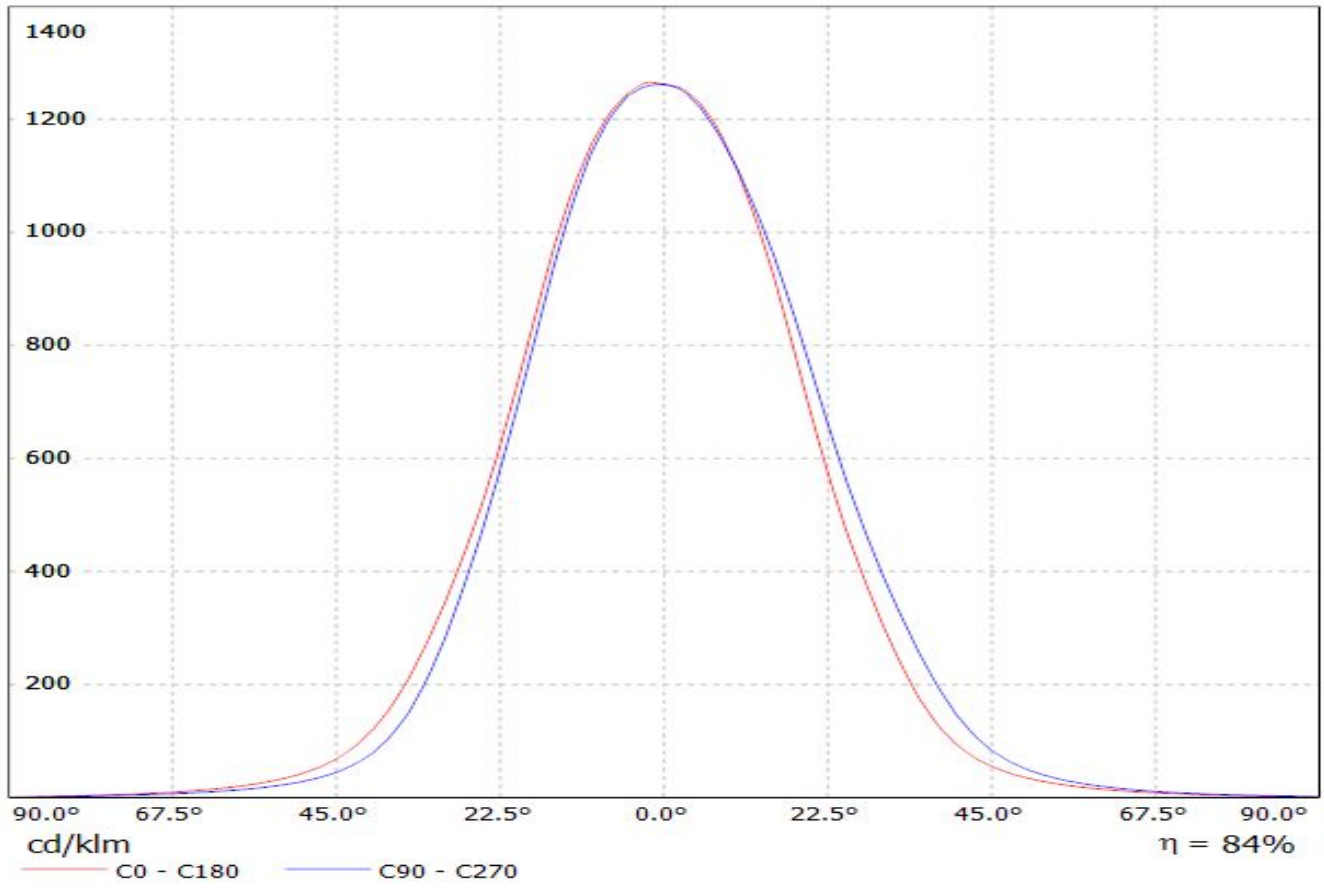
Luminaire: LEDiL Oy LARISA-O_XB-D_(CLIP8&CLIP16) Eff.79.8%
Lamps: 1 x XB-D (91.7428lm@250mA)



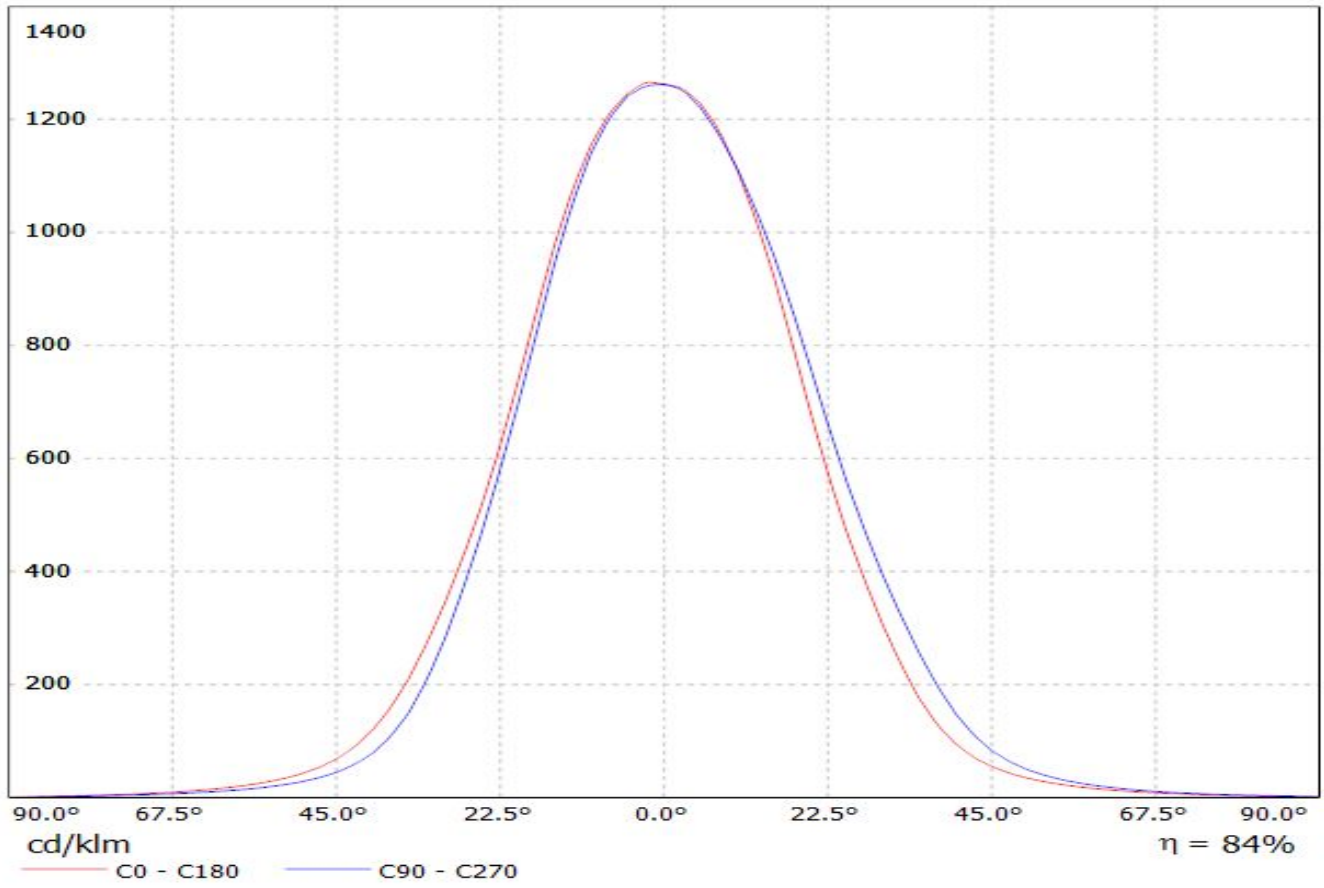
Luminaire: LEDiL Oy
Lamps: 1 x CP15307_LARISA-W-PIN_(XB-D)



Luminaire: LEDIL OY CP12944&CP12945_LARISA-W_(XB-D) Eff.84%
Lamps: 1 x XB-D (91.55lm@250mA)

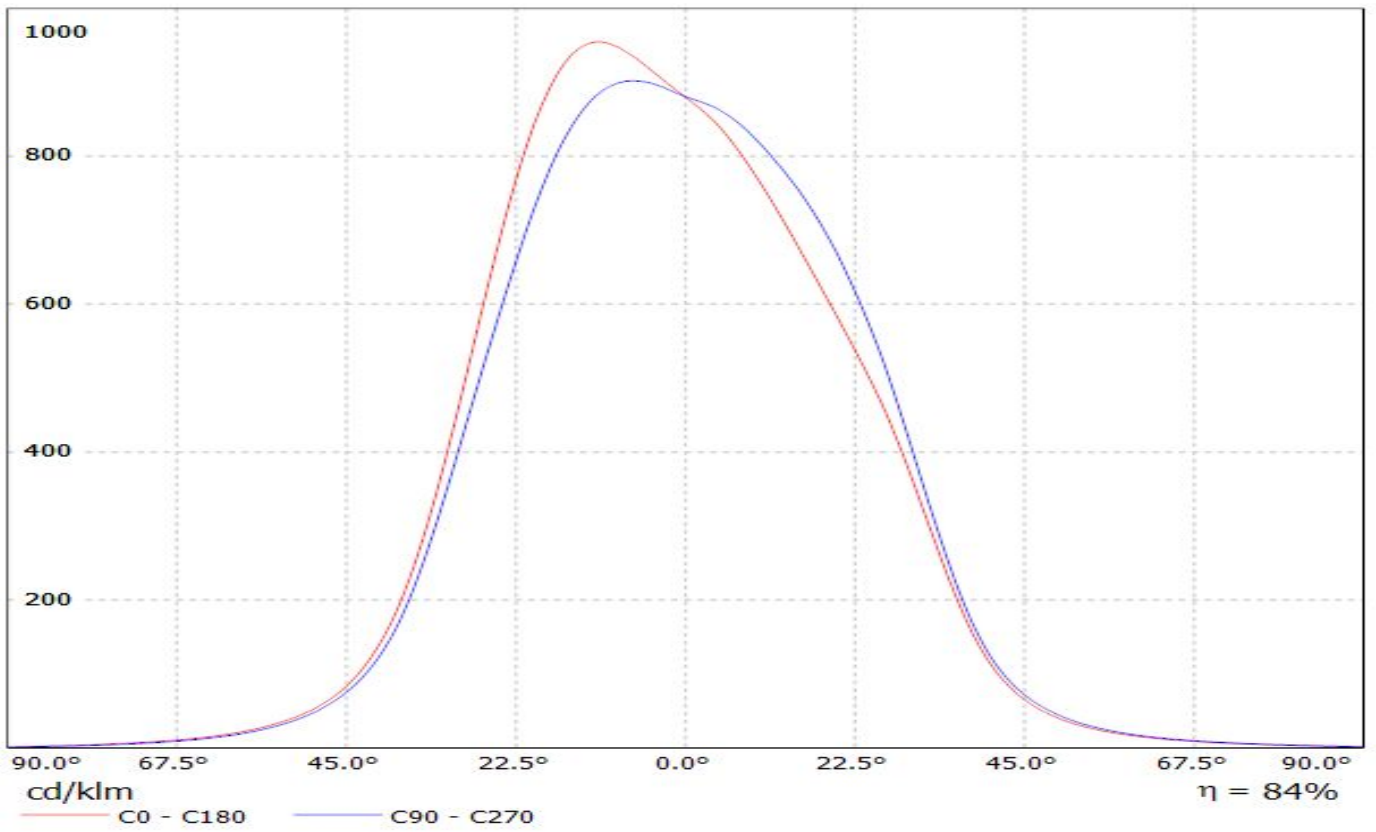


Luminaire: LEDIL OY CP12944&CP12945_LARISA-W_(XB-D) Eff.84%
Lamps: 1 x XB-D (91.55lm@250mA)



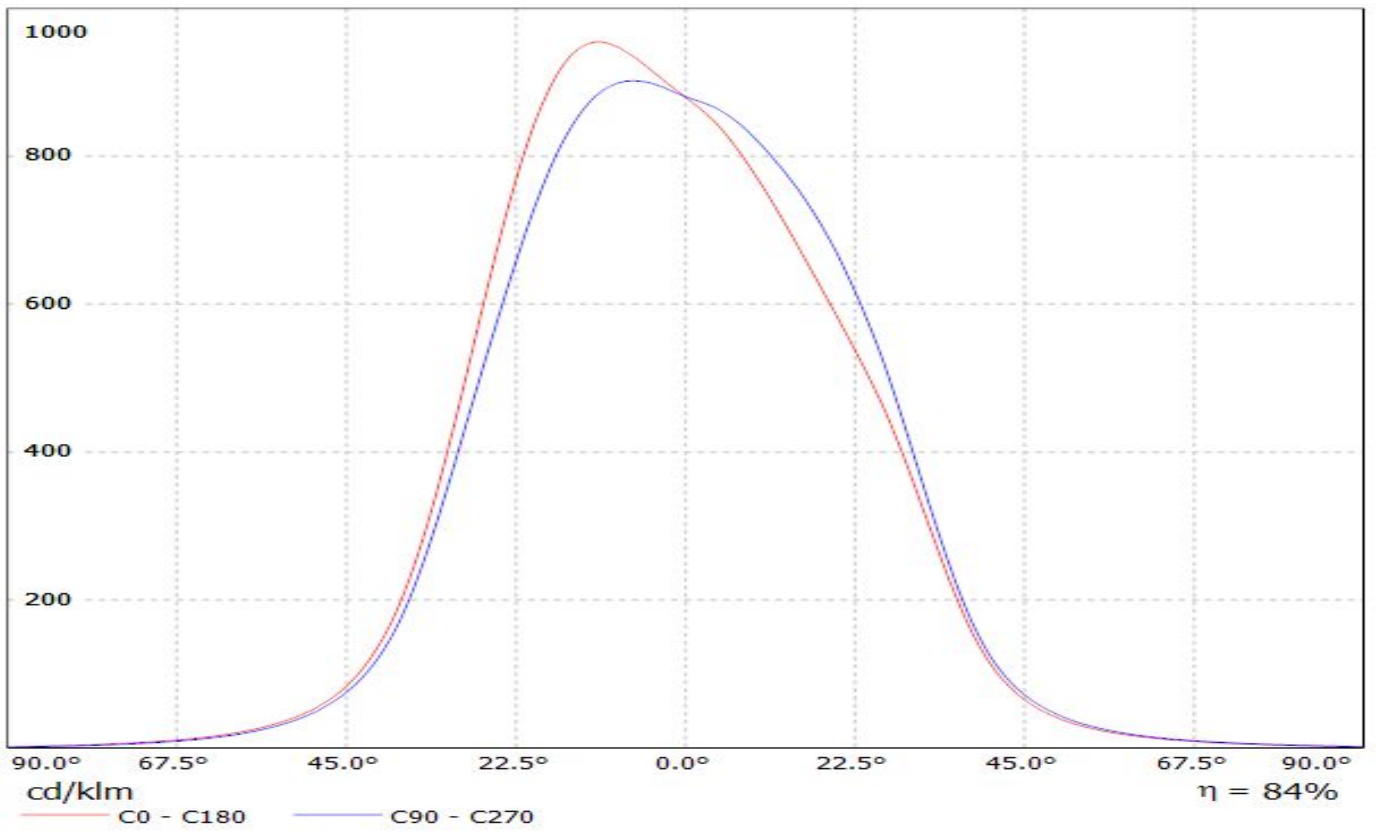
LEDiL Oy C12913_LARISA-WW_(XB-D) Eff.84.3% / LDC (Linear)

Luminaire: LEDiL Oy C12913_LARISA-WW_(XB-D) Eff.84.3%
Lamps: 1 x CREE XB-D (92.2lm@250mA)

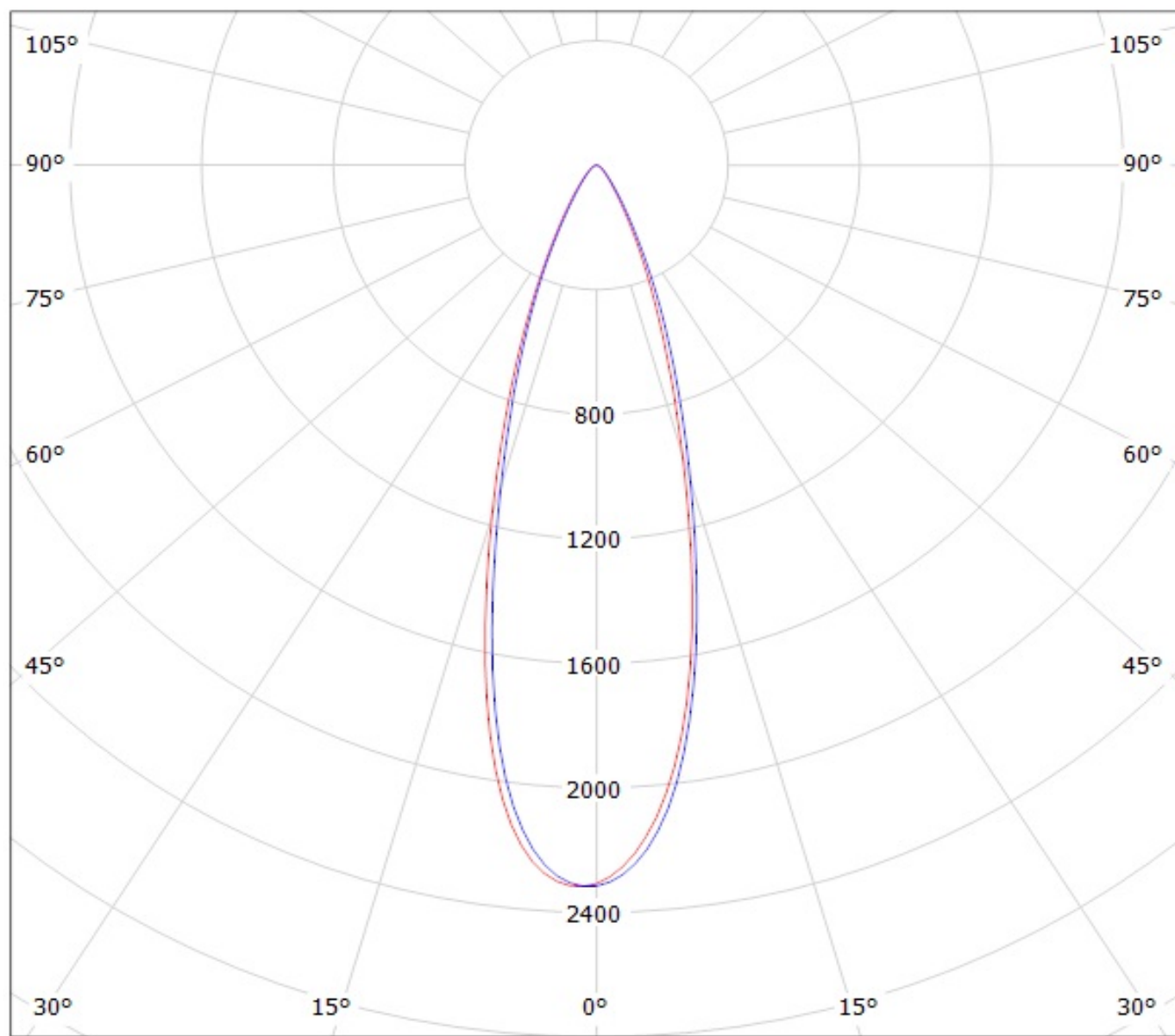


LEDiL Oy C12913_LARISA-WW_(XB-D) Eff.84.3% / LDC (Linear)

Luminaire: LEDiL Oy C12913_LARISA-WW_(XB-D) Eff.84.3%
Lamps: 1 x CREE XB-D (92.2lm@250mA)



Valaisin: LEDiL Oy LARISA-M_XB-D_(CLIP8&CLIP16) Eff.84.0%
Lamput: 1 x XB-D (91.7428lm@250mA)

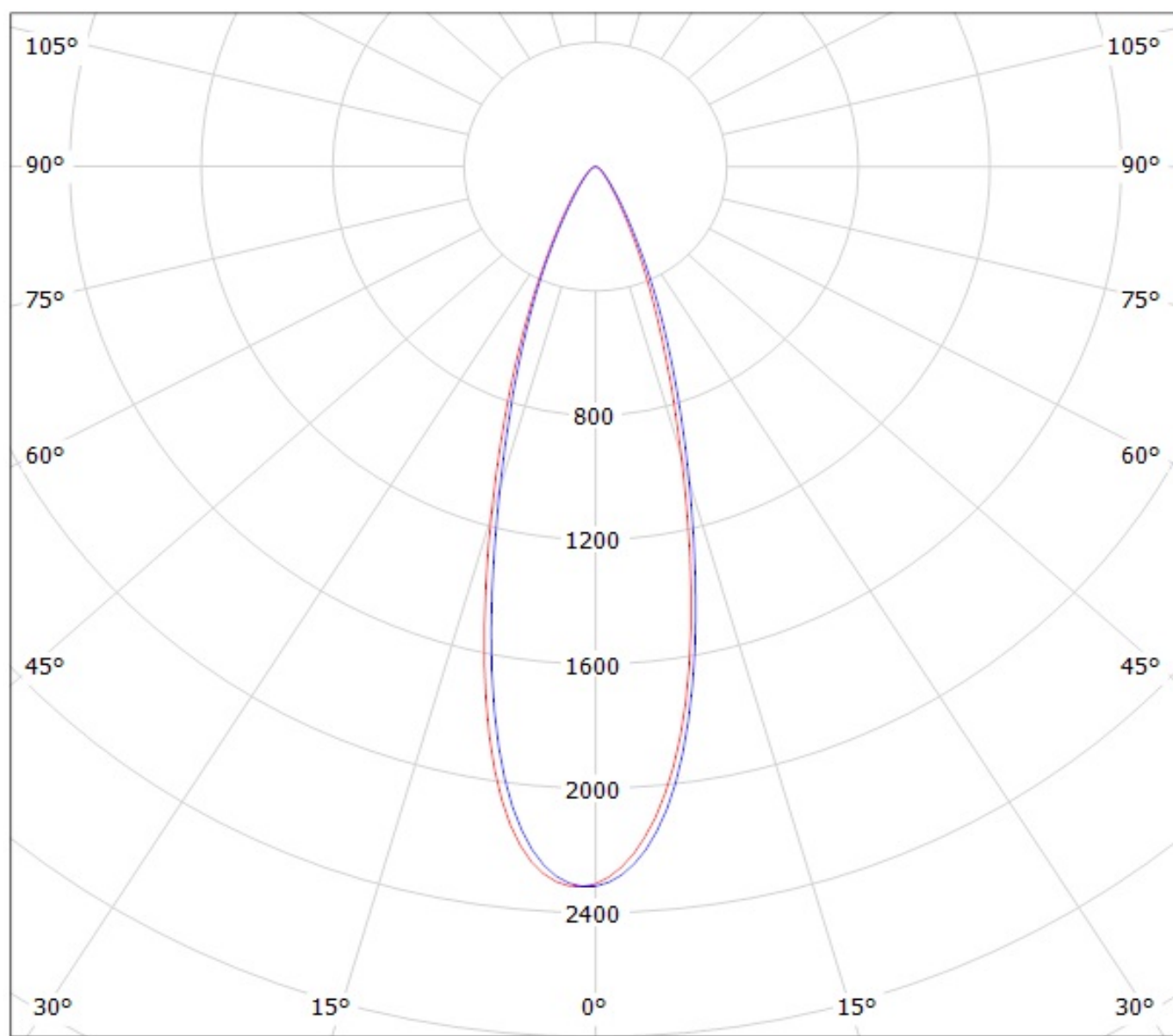


cd/klm

— C0 - C180

— C90 - C270

Valaisin: LEDiL Oy LARISA-M_XB-D_(CLIP8&CLIP16) Eff.84.0%
Lamput: 1 x XB-D (91.7428lm@250mA)

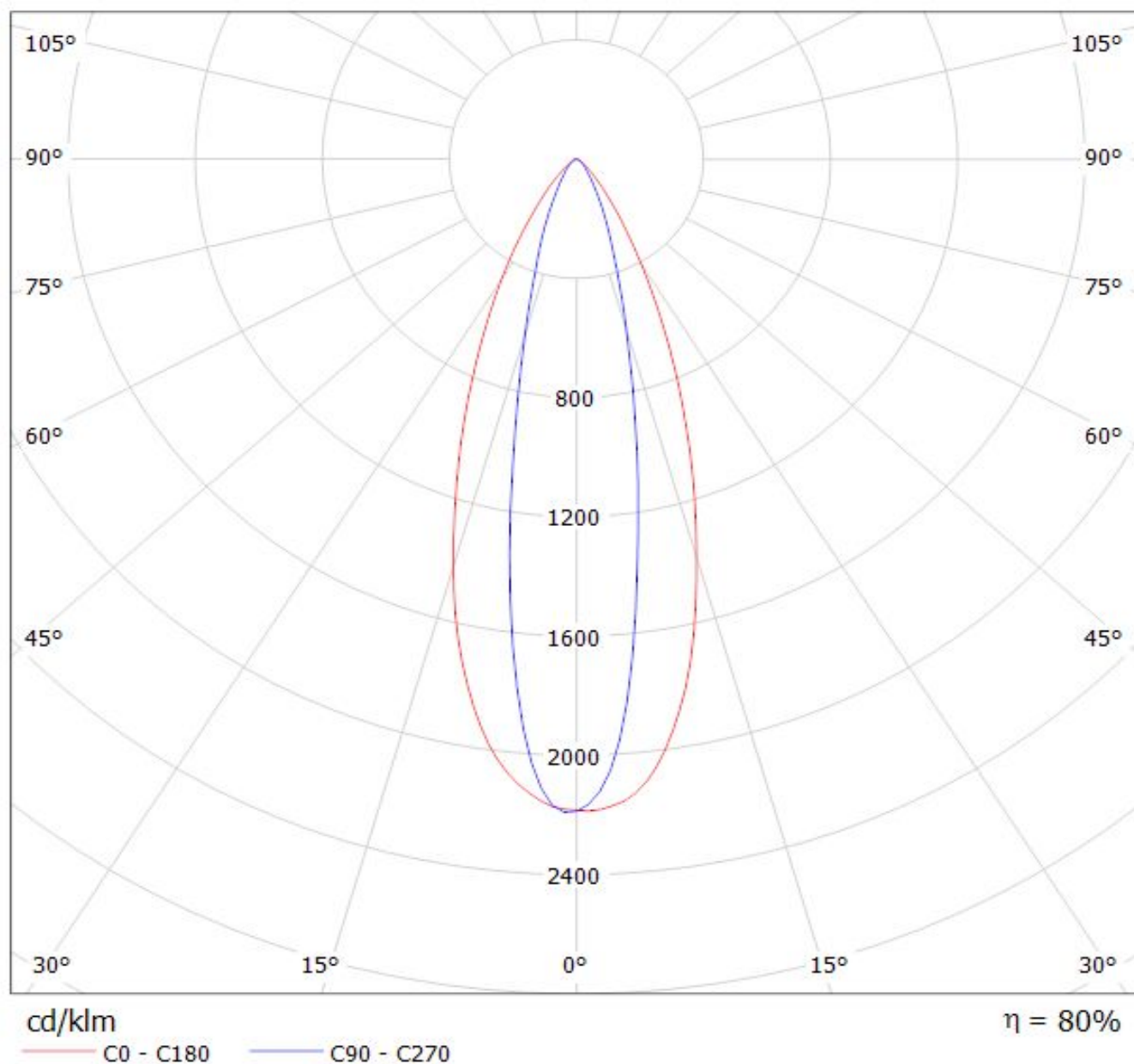


cd/klm

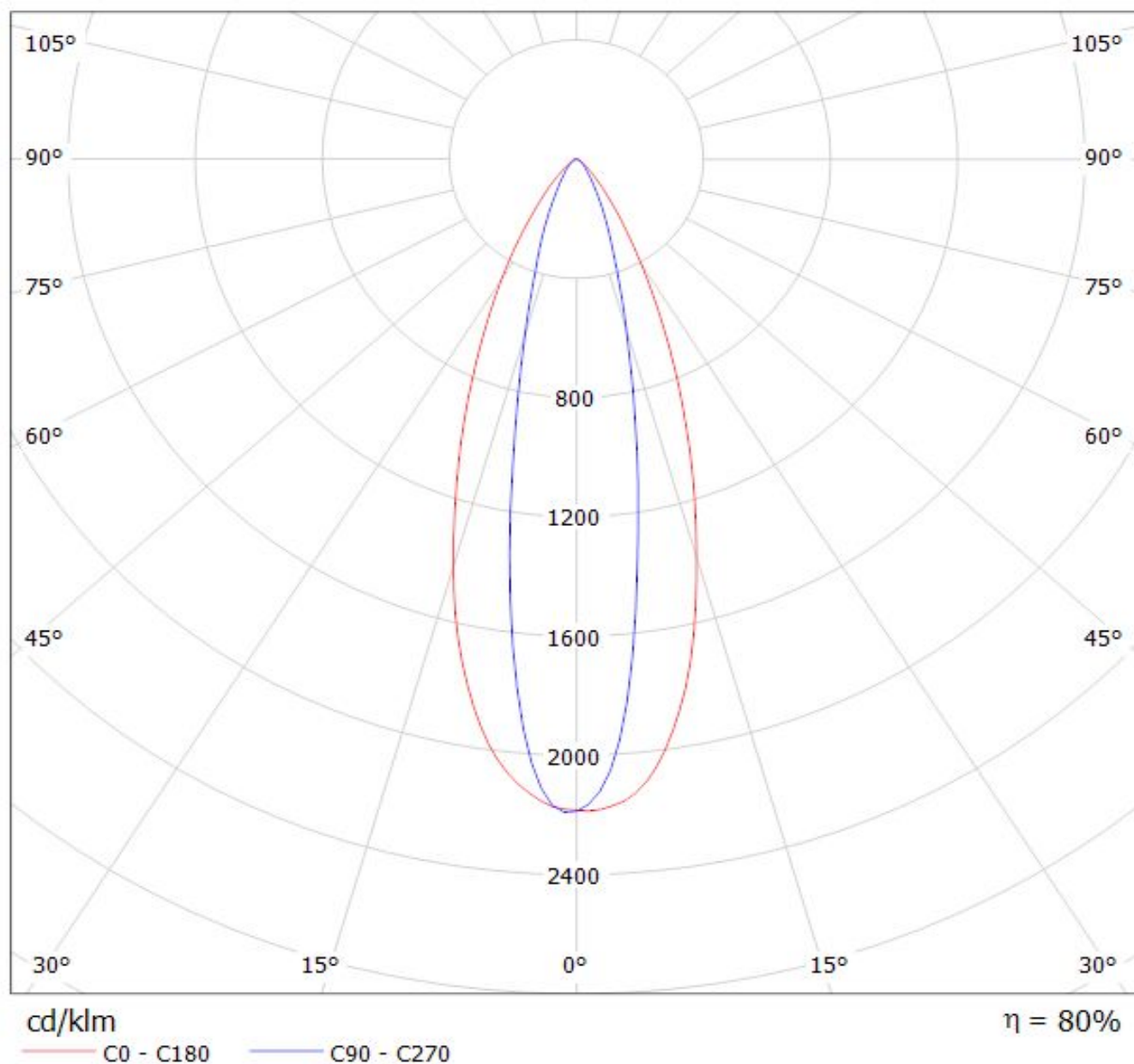
— C0 - C180

— C90 - C270

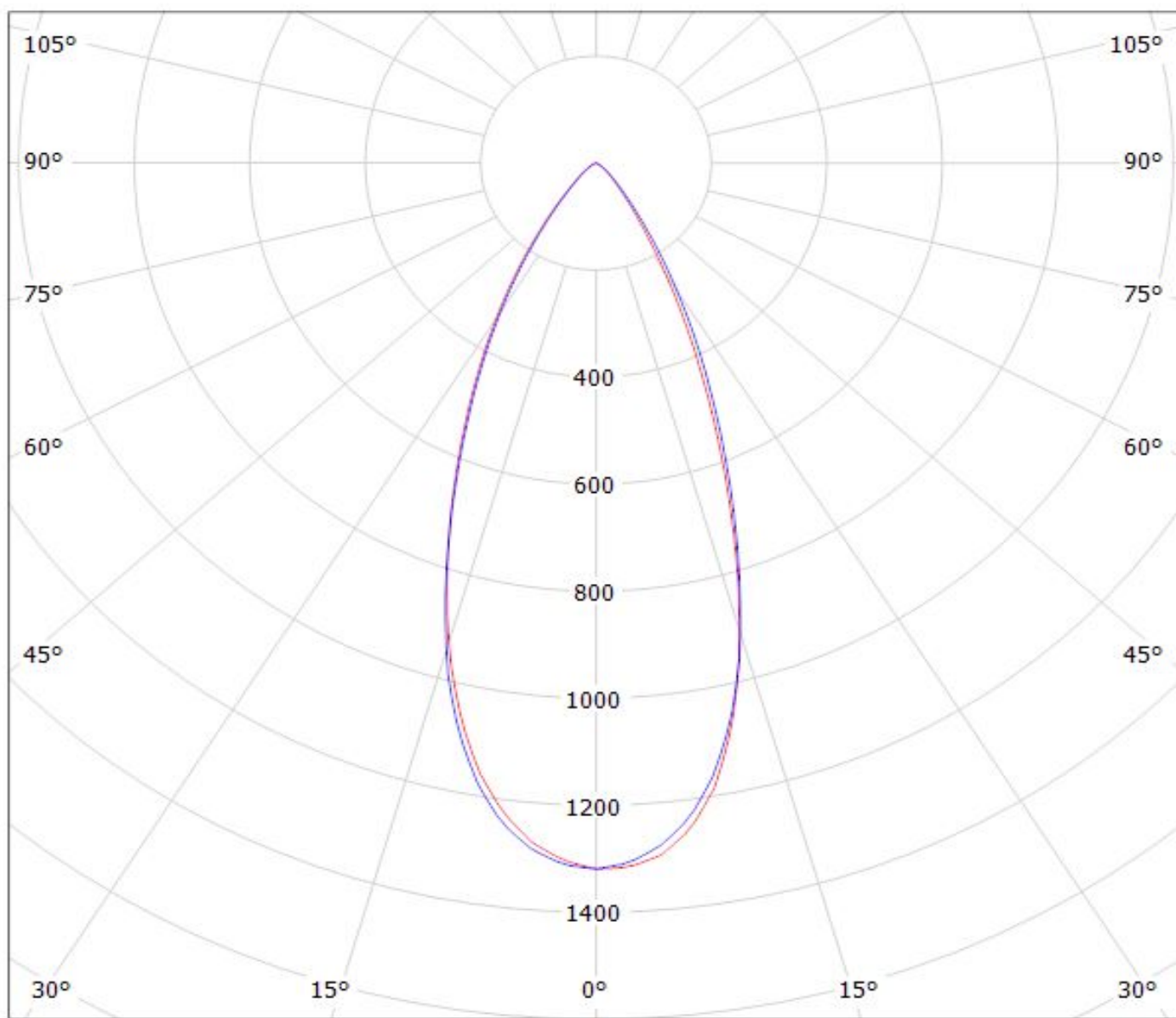
Luminaire: LEDiL Oy LARISA-O_XB-D_(CLIP8&CLIP16) Eff.79.8%
Lamps: 1 x XB-D (91.7428lm@250mA)



Luminaire: LEDiL Oy LARISA-O_XB-D_(CLIP8&CLIP16) Eff.79.8%
Lamps: 1 x XB-D (91.7428lm@250mA)



Luminaire: LEDiL Oy
Lamps: 1 x CP15307_LARISA-W-PIN_(XB-D)

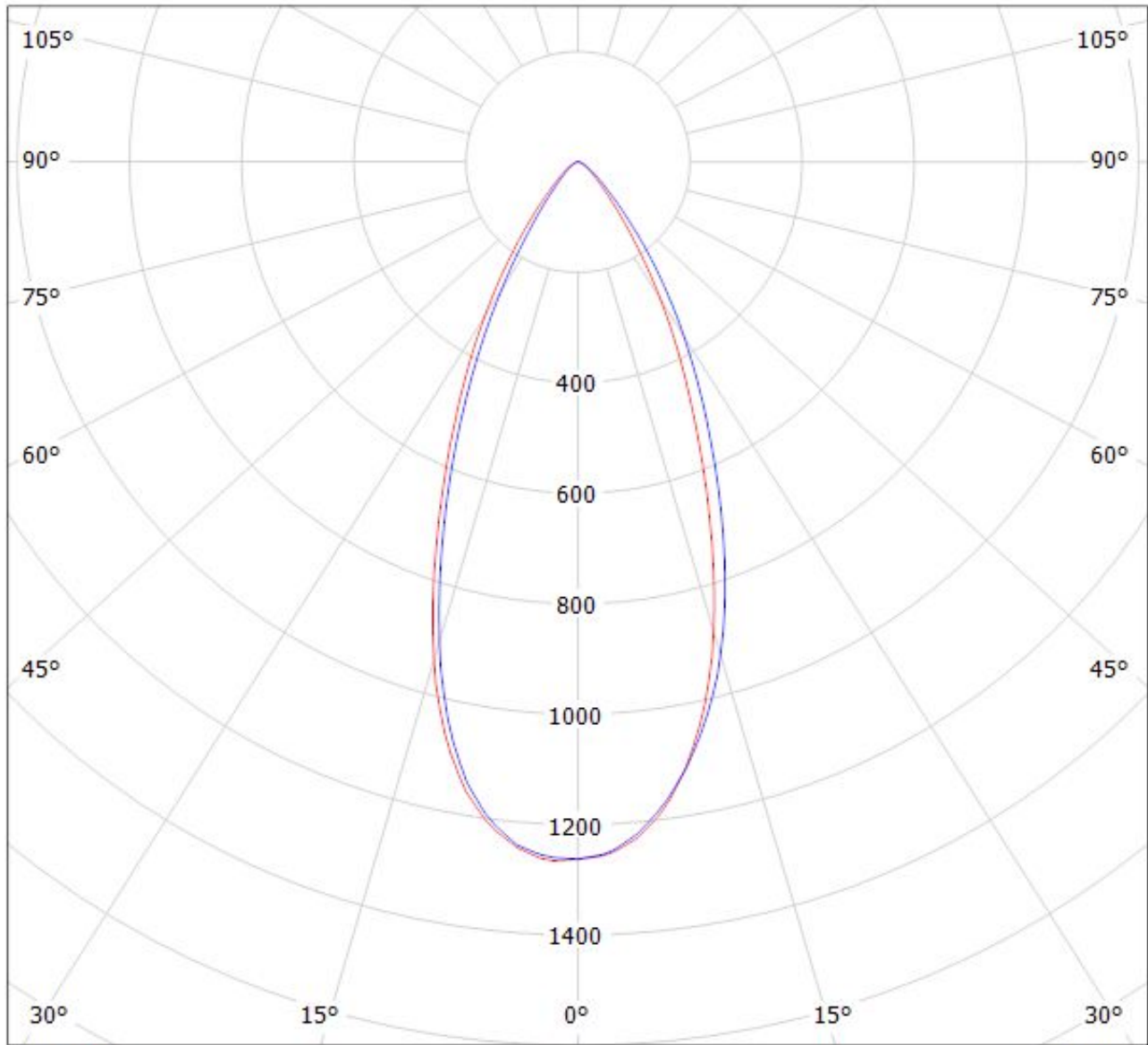


cd/klm

— C0 - C180 — C90 - C270

$\eta = 79\%$

Luminaire: LEDIL OY CP12944&CP12945_LARISA-W_(XB-D) Eff.84%
Lamps: 1 x XB-D (91.55lm@250mA)



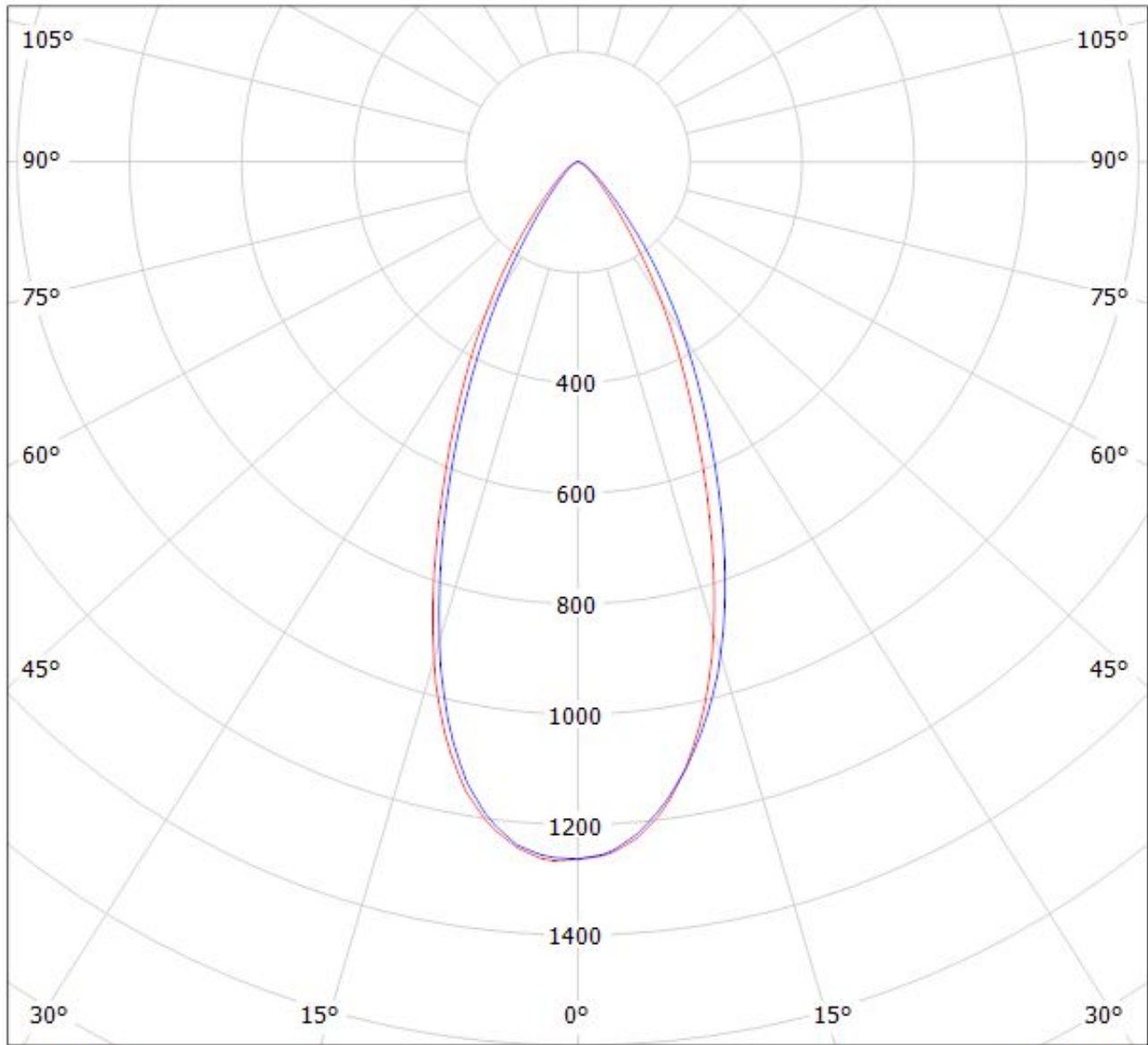
cd/klm

— C0 - C180

— C90 - C270

$\eta = 84\%$

Luminaire: LEDIL OY CP12944&CP12945_LARISA-W_(XB-D) Eff.84%
Lamps: 1 x XB-D (91.55lm@250mA)



cd/klm

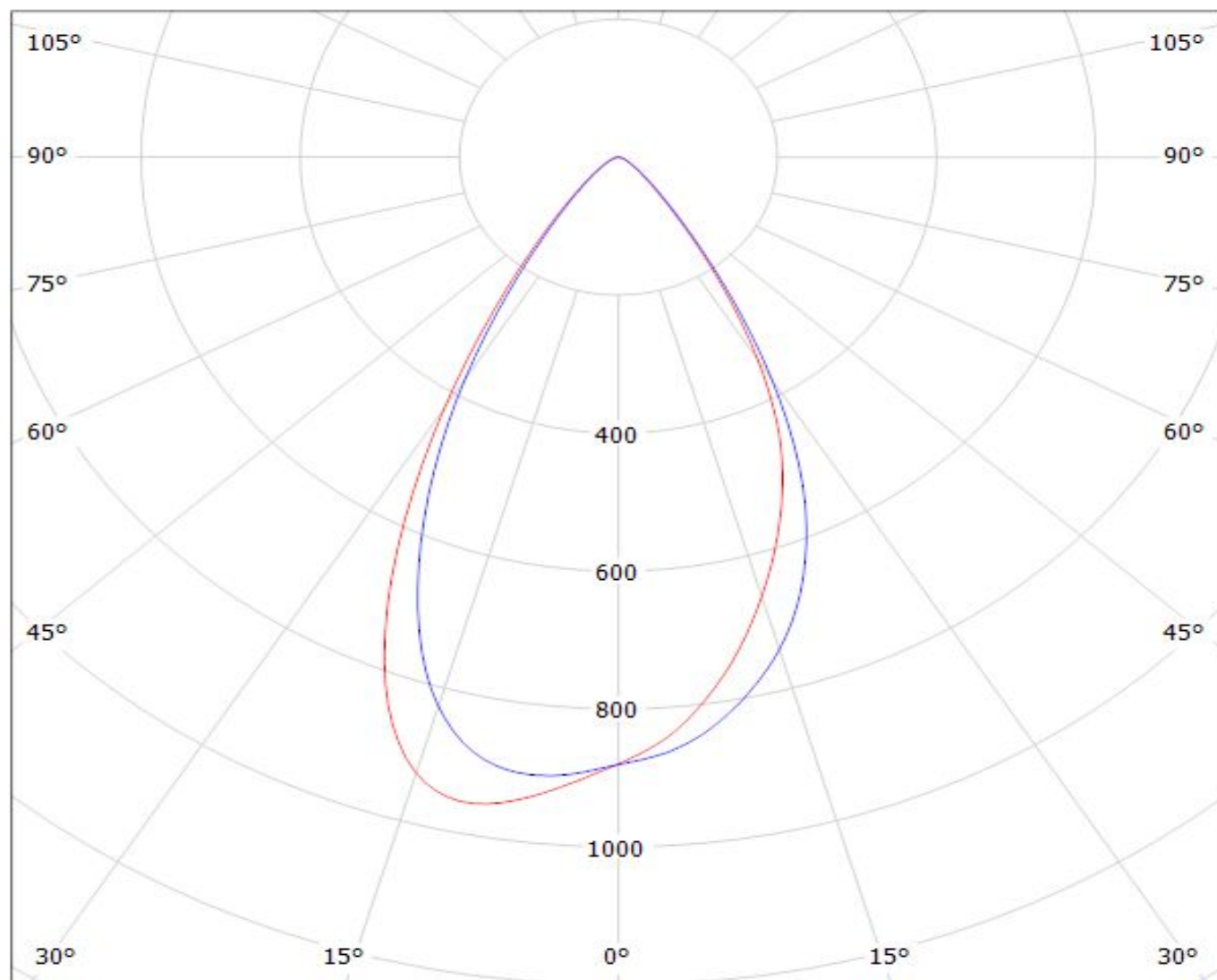
— C0 - C180

— C90 - C270

$\eta = 84\%$

LEDiL Oy C12913_LARISA-WW_(XB-D) Eff.84.3% / LDC (Polar)

Luminaire: LEDiL Oy C12913_LARISA-WW_(XB-D) Eff.84.3%
Lamps: 1 x CREE XB-D (92.2lm@250mA)



cd/klm

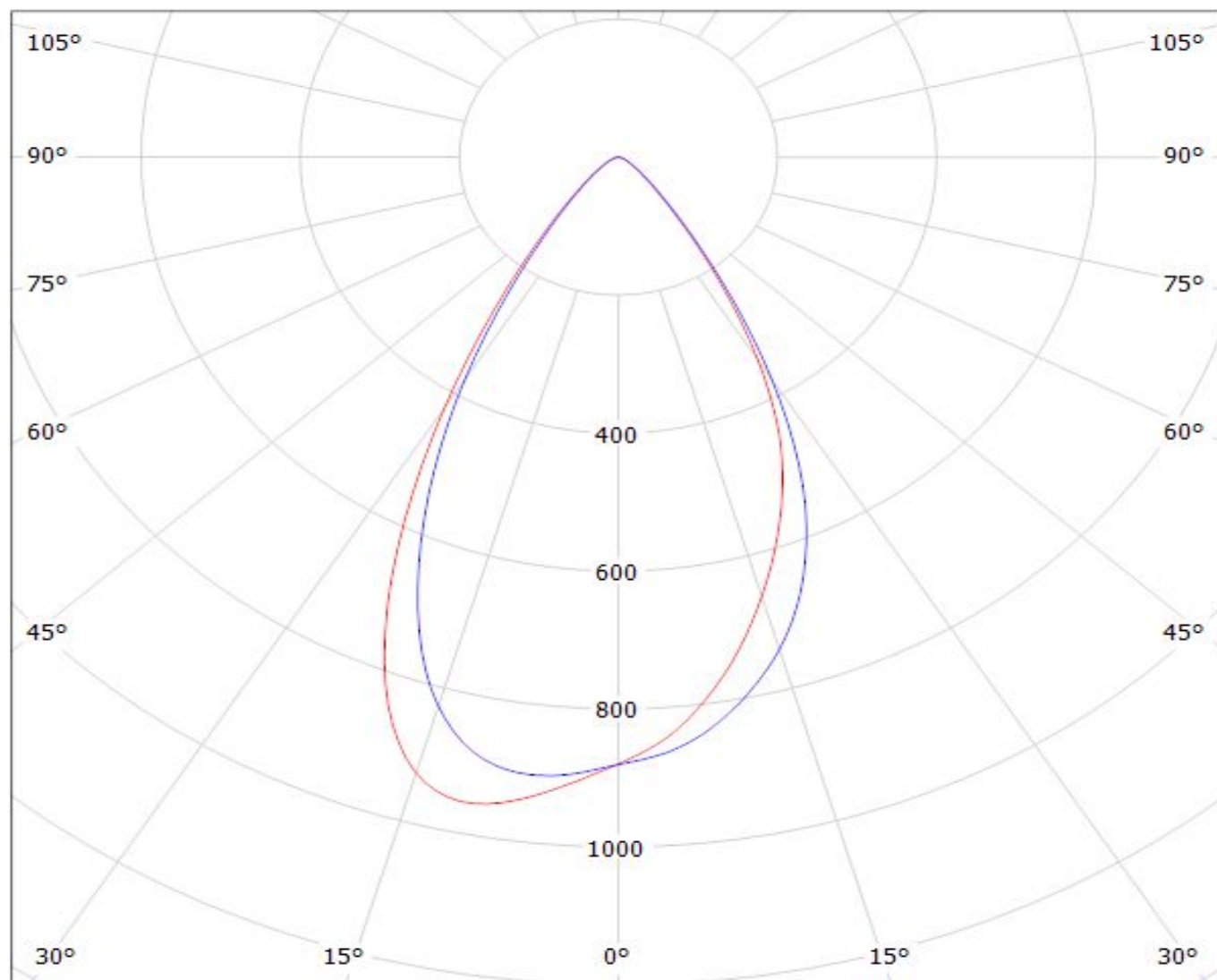
— C0 - C180

— C90 - C270

$\eta = 84\%$

LEDiL Oy C12913_LARISA-WW_(XB-D) Eff.84.3% / LDC (Polar)

Luminaire: LEDiL Oy C12913_LARISA-WW_(XB-D) Eff.84.3%
Lamps: 1 x CREE XB-D (92.2lm@250mA)



cd/klm

— C0 - C180

— C90 - C270

$\eta = 84\%$