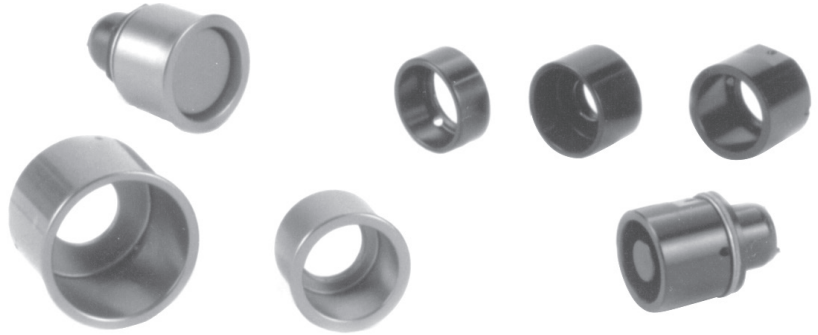


SHROUDS, PANEL SEALS AND MOUNTING HARDWARE

Shrouds

Shrouds are added to pushbutton switches to guard against inadvertent actuation. The actuating device must be inserted into the shroud in order to actuate the switch. We have an assortment from which to choose shown here. We are also able to design and fabricate a shape to meet your specifications and application needs.

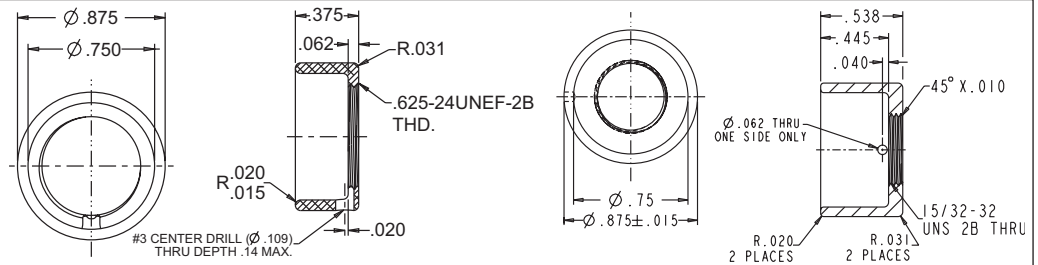


Material:

Aluminum alloy, machined to specification.

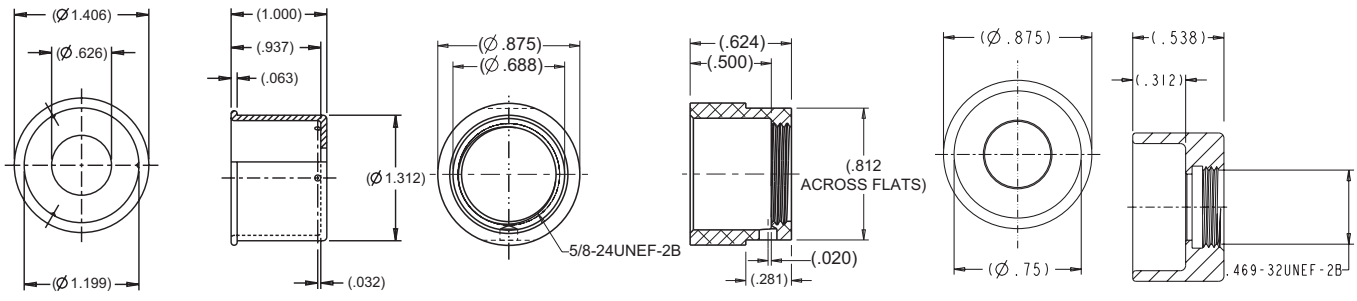
Finish:

Black anodized. For other color options, contact factory.



OTTO P/N C300793

OTTO P/N C300428



OTTO P/N C300302

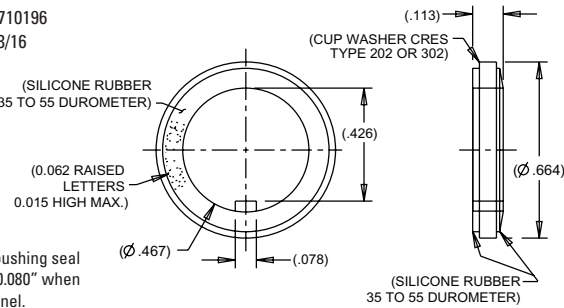
OTTO P/N C300871

OTTO P/N C300426

Panel Seals

Stainless steel cup washer with silicone rubber seal assures proper watertight panel seal. Mounts behind panel. Approved to MIL-DTL-5423/16. Designed for sealing 15/32" bushing with keyway. Available in packages of 25.

OTTO P/N: C710196
MIL-DTL-5423/16



Thickness of bushing seal is reduced to 0.080" when mounted to panel.

Gaskets

OTTO P/N	I.D.
C700117	0.250"
C700110	0.469"
C700109	0.625"

O-Rings (Buna)

OTTO P/N	I.D.
C801568-010	0.250"
C802568-015	0.500"
C802568-016	0.625"

Mounting Hardware

MILITARY P/N

KEYWAY WASHERS

MS25081-C0	C710081-C0	0.250"
MS25081-C4	C710081-C4	0.469"
MS25081-C6	C710081-C6	0.625"

INTERNAL TOOTH LOCKWASHERS

MS35333-135	C710333-135	0.250"
MS35333-136	C710333-136	0.469"

HEX NUTS—STANDARD

MS25082-C14	C710082-C14	0.250-40
MS25082-C21	C710082-C21	0.469-32
MS25082-B11	C710082-B11	0.625-24

HEX NUTS—WIRE LOCKING

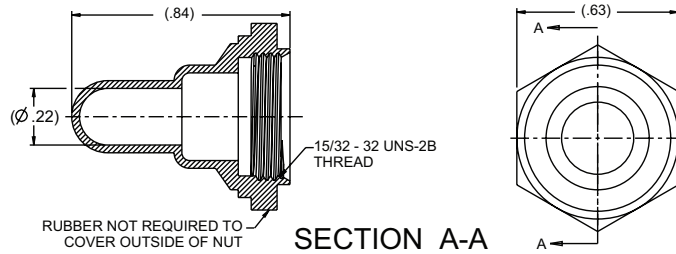
MS21340-04	C710340-04	0.469-32
MS21340-05	C710340-05	0.625-24

PUSHBUTTON BOOTS, TOGGLE BOOTS AND HEX NUTS

C740191

T9 Toggle Boot with 15/32" Thread

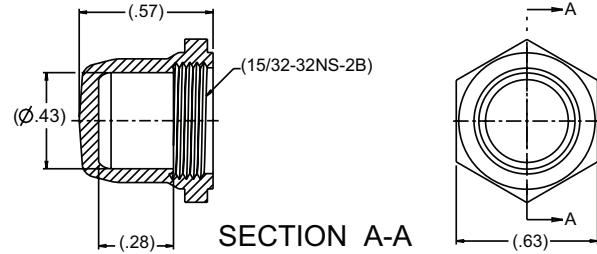
Boot: Black Silicone Rubber
Nut: Brass, Nickel Plated



C740144

P4-4 Switch Boot with Threaded Insert

Boot: Black Silicone Rubber
Insert: Brass, Nickel Plated



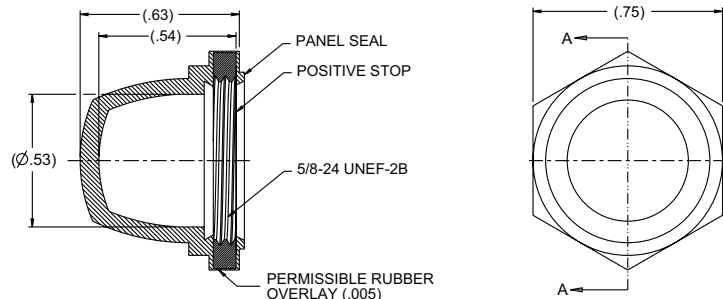
C700179

P3-6 Switch Boot

MIL-DTL-5423/7 Type B, Style 2, Size 4

Material: Silicone Rubber

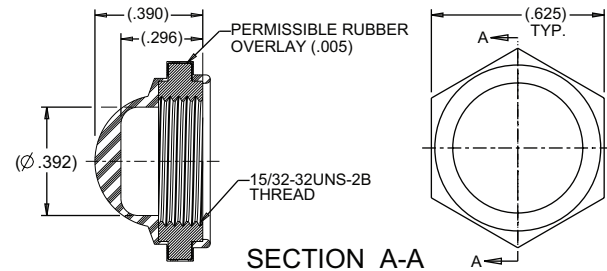
C700179-2S = Black
C700179-4S = Yellow
C700179-8S = Gray



C701211

P7-6 Pushbutton Boot Hex Nut

Material: Black Silicone
Thread: 15/32"

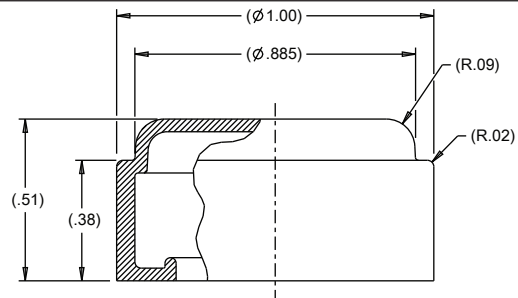


C405192-025

Boot Primarily Intended for Custom P3's and P8's with a .875" Case Diameter

Boot: Clear Silicone Rubber

Bagged in Lots of 25



P7/P9 Sealing Boots

For Raised Dome

C402611-1-50 Clear

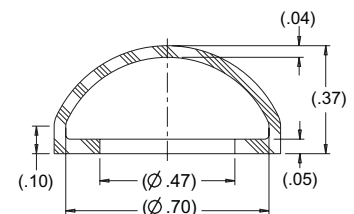
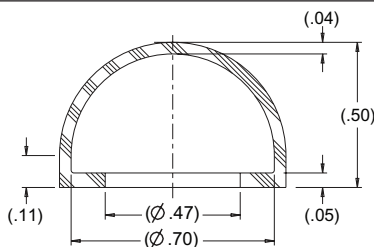
C402611-2-50 Black

For Flush Dome

C402599-1-50 Clear

C402599-2-50 Black

Material: Silicone



Mouser Electronics

Authorized Distributor

Click to View Pricing, Inventory, Delivery & Lifecycle Information:

[OTTO:](#)

[C300428](#)