



AUTO DRAIN SERIES AD

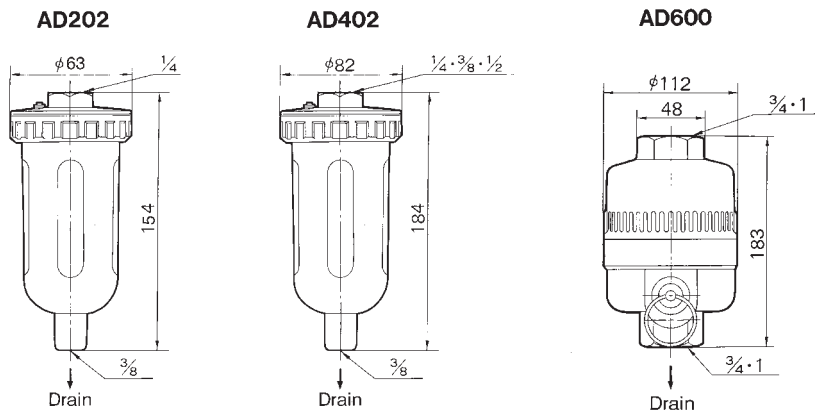
-  Port Sizes 1/4-1
-  Float type automatic drain valve

TECHNICAL SPECIFICATIONS

Type	AD202	AD402	AD600
Operating Pressure	1.5 - 9.9 Bar	1.5 - 9.9 Bar	3 - 9.9 Bar
Max. supply pressure	15 Bar		
Max. operating pressure	1.5 - 9.9 Bar	9.9 Bar	
Ambient and fluid temperature	5 - 60°C		
Port size	1/4	1/2	3/4, 1
Drain port	1/4	3/8	3/4, 1



DIMENSIONS AD SERIES AUTO DRAINS



SYMBOLS



HOW TO ORDER AUTODRAIN SERIES AD

AD202-02 (1/4)

AD402-04 (1/2)

AD600-06 (3/4)

AD600-10 (1)

STOCKED PRODUCTS

FOR A LIST OF STOCKED PRODUCTS,
PLEASE SEE THE CURRENT SMC PRICE LIST



FOR FURTHER TECHNICAL
DETAILS ON THIS
PRODUCT REQUEST
CATALOGUE REFERENCE
AND DISCUSS.



SERIES ADH 4000 HEAVY AUTO DRAIN

- ✓ Long life
- ✓ Reliable
- ✓ Large capacity
- ✓ No risk of back pressure
- ✓ Easy operation and maintenance



TECHNICAL SPECIFICATIONS

Auto drain type	Float type
Auto drain valve type	Normally open
Max. supply pressure	1.5MPa (15.3kgf/cm ²)
Max. operating pressure	1.0 MPa (10.2kgf/cm ²)
Operating pressure range	0.05 - 1.0 MPa (0.5 - 10.2 kgf/cm ²)
Ambient and fluid temperature	Compressed air 5 - 60°C (non-freezing)
Max. exhaust drain	400cc/min (at pressure 0.7MPa, water)
Weight	1.2kg (with bracket: 1.3kg)
Colour	Light grey

HOW TO ORDER

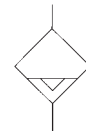
SERIES ADH 4000 HEAVY AUTO DRAIN

ADH4 ● 00 — 04

MAX. OPERATING PRESSURE

0 1.0MPa
 1 1.6MPa

SYMBOLS



STOCKED PRODUCTS

FOR A LIST OF STOCKED PRODUCTS,
 PLEASE SEE THE CURRENT SMC PRICE LIST

ACCESSORIES

Bracket	BM58
Ball valve piping kit (See note below)	ADH-C400
Silencer for drain	2506-004-X228

Note: The ball valve piping kit comprises a ball valve, two barrel nipples and an elbow. It can be fitted to the inlet of the unit and allows it to be isolated for examination and maintenance.

STOCKED PRODUCTS

FOR A LIST OF STOCKED PRODUCTS,
 PLEASE SEE THE CURRENT SMC PRICE LIST

DIMENSIONS
 SEE NEXT PAGE

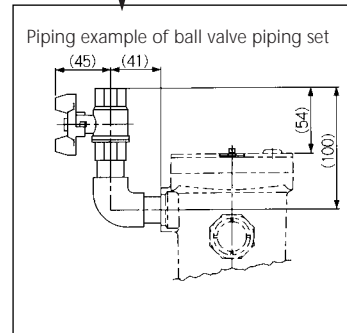
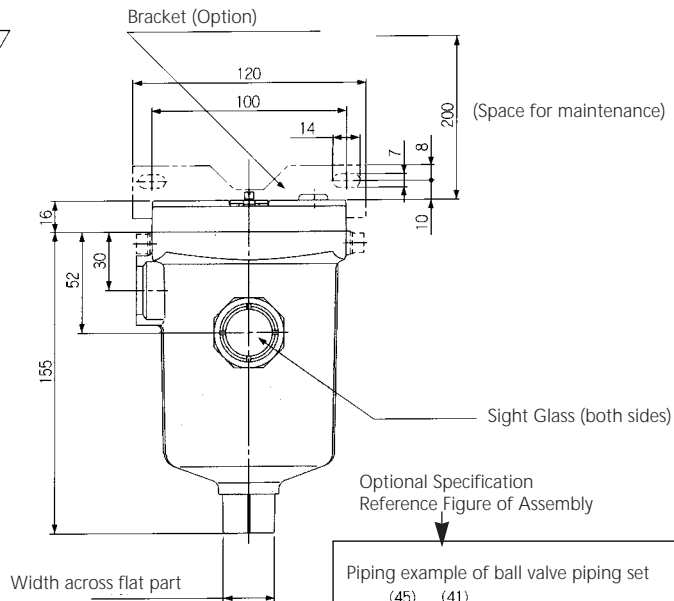
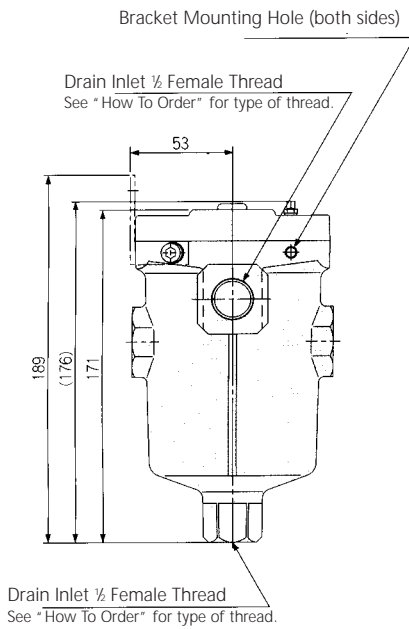
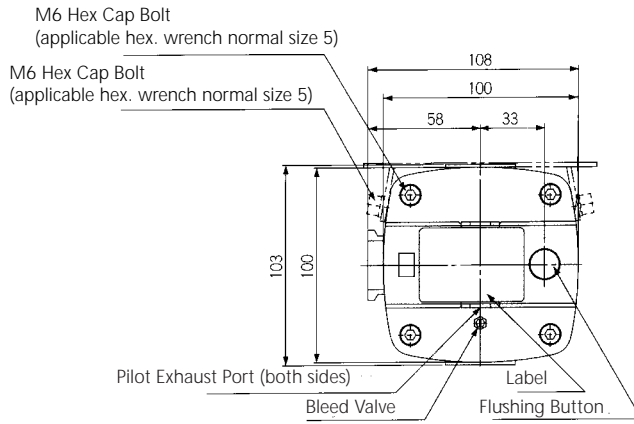


SEE INSIDE FRONT COVER FOR
 DETAILS OF YOUR LOCAL SALES OFFICE



FOR FURTHER TECHNICAL
 DETAILS ON THIS
 PRODUCT REQUEST
 CATALOGUE REFERENCE
 AND DISCUSS.

DIMENSIONS



FOR FURTHER TECHNICAL
DETAILS ON THIS
PRODUCT REQUEST
CATALOGUE REFERENCE
AND DISCUSS.