

# FILLER BREATHERS

**NEW**

## 1 SINGLE HOLE RESERVOIR INSTALLATION

### SPECIFICATIONS (For single and 6-hole installation)

**Construction:** Moulded in non-corrodible glass-filled nylon combining strength with a lightweight design.

**Options:** (1) **Single (63mm Dia) Hole Filler Breather** installation that eliminates drilled and tapped holes using self-locking clamps. (2) **6 Hole Filler Breather** installation that uses 6 x No 10 thread forming screws. (3) **3 hole Filler Breather option** is available (see page 5)

**Self-Locking Clamps (Single Hole Option):** 3 x Zinc and clear chromate plated steel screws. Spring steel clamps.

**Strainers:** Unique design diffuses oil flow into the reservoir.  
 (1) Single length in Polypropylene (95mm length)  
 (2) 2-piece telescopic in Polypropylene (195mm length max.)

**Filtration Element:** Expanded Polyurethane foam, 10 micron.

**Seals:** Nitrile.

**Working Temperature:** -30°C to +90°C.

**Pressurized Filler Breathers:** Available in 3 pressure options to reduce the risk of contamination.

**Pressurization Options:** 0.2, 0.35 and 0.7 bar crack pressure.

**Pressurization Valve:** Nylon/Nitrile

**Dipstick:** Available for use with options 1 and 2. Dipsticks are available in 2 lengths and in packs of 10.

**Dipstick Material:** ABS.

**Hi/Lo Indicators:** Acetal. Adjustable Red/Green level indicators.

**Dipstick Lengths:** 200mm and 400mm.

**Breather Weight:** 0.2kg.

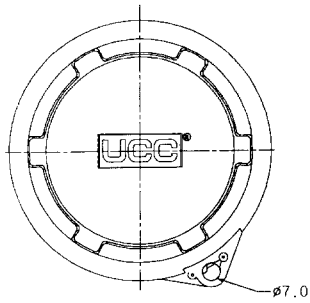
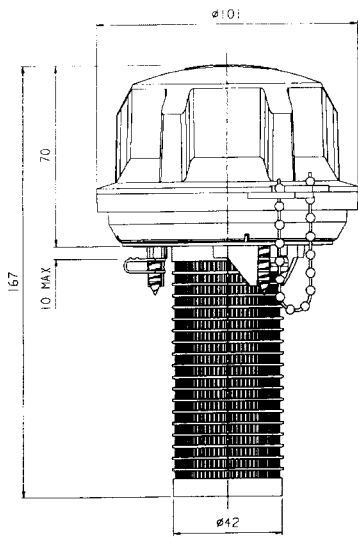
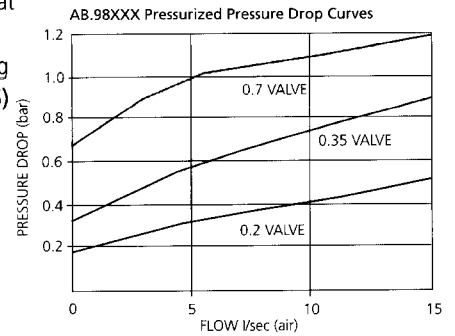
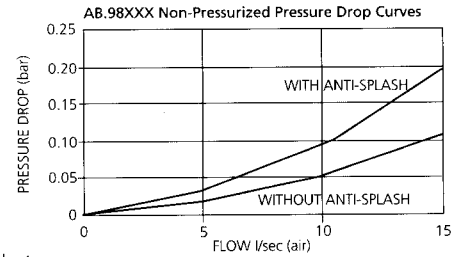
**Anti-Splash Feature:** The unique design anti-splash feature is standard on all Options 1 and 2 and allows for a dipstick to be fitted if required.

**Option 1. Single hole filler breathers – non-pressurized**

Part number
AB.98210001.UC
AB.98210011.UC
AB.98210021.UC

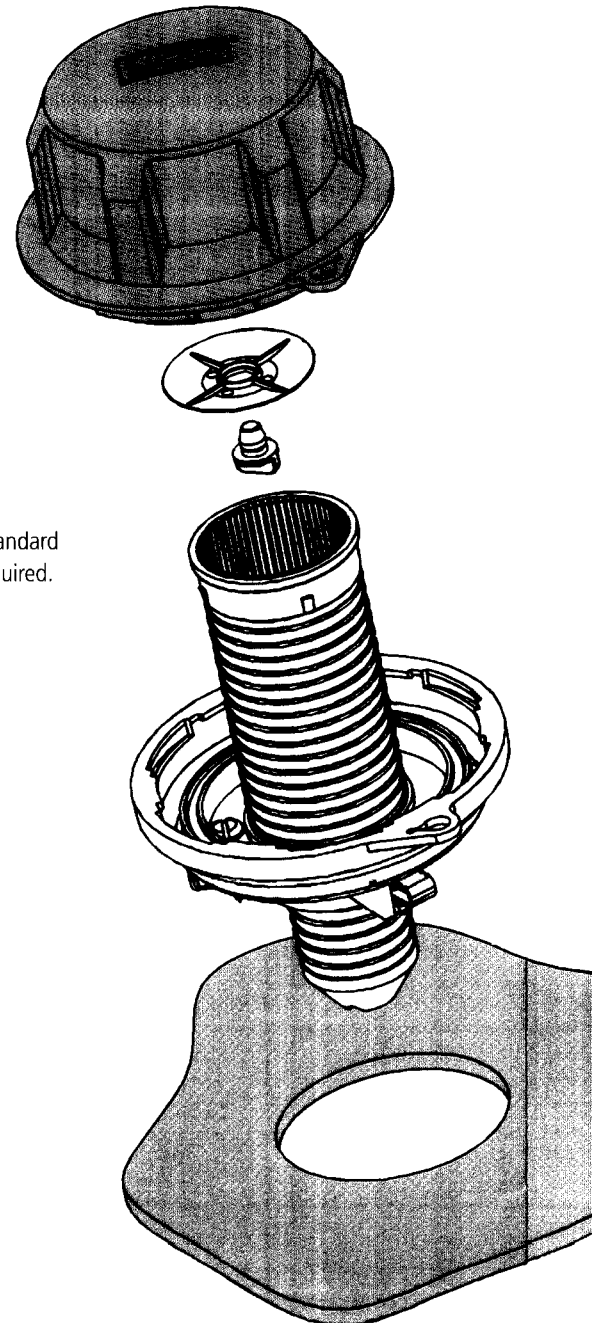
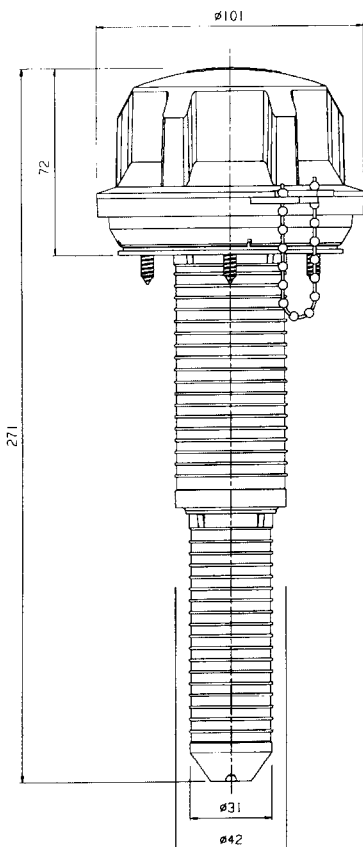
**Option 1. Single hole filler breathers – pressurized**

Part number
AB.98212001.UC
AB.98212011.UC
AB.98212021.UC
AB.98213001.UC
AB.98213011.UC
AB.98213021.UC
AB.98217001.UC
AB.98217011.UC
AB.98217021.UC



### TELESCOPIC STRAINER

The telescopic strainer design is ideal, where reservoir depth allows, to increase the surface area of the strainer, improving still further its straining ability and oil flow-through and allowing for longer dipstick lengths.



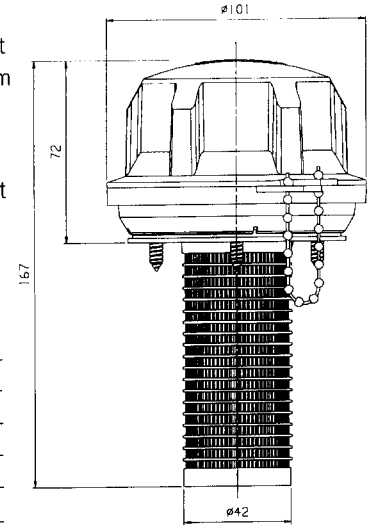
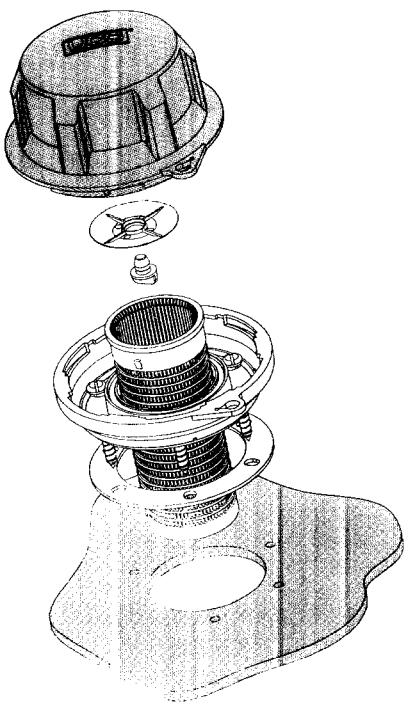
# NEW OPTION 2 6-HOLE RESERVOIR INSTALLATION

**Note 1. Un-pressurized 6-hole fixing**  
 Form 6 off tank mounting holes between Ø4.0 and Ø4.4mm (dependent on the material and thickness – see guide below) equispaced on 70-73mm P.C.D. to suit No.10 thread forming screws supplied.

**Note 2. Pressurized 6-hole fixing**  
 Form 6 off tank mounting holes between Ø4.0 and Ø4.4mm (dependent on the material and thickness – see guide below) equispaced on 73mm P.C.D. to suit No.10 thread forming screws supplied.

**Note 3. Reservoir mounting guide**

Sheet thickness mm	Hole size mm
1.2	4.0
2.0	4.10
3.15	4.30
4.0	4.30
5.0	4.40

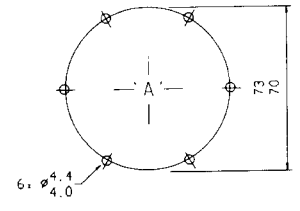
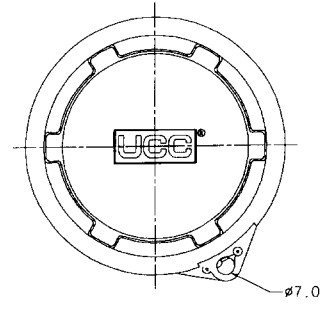


**Option 2. 6-hole filler breathers – non-pressurized**

- Part number
- AB.98810001.UC
- AB.98810011.UC
- AB.98810021.UC

**Option 2. 6-hole filler breathers – pressurized**

- Part number
- AB.98812001.UC
- AB.98812011.UC
- AB.98812021.UC
- AB.98813001.UC
- AB.98813011.UC
- AB.98813021.UC
- AB.98817001.UC
- AB.98817011.UC
- AB.98817021.UC



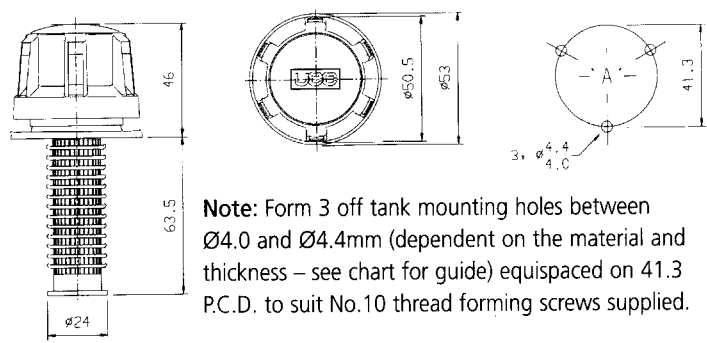
**DIPSTICKS**

The dipstick, available in 2 lengths – 200mm and 400mm, can be cut to the required length or left as it is and the Hi/Lo indicators moved and positioned on the dipstick itself by squeezing the sides of the indicator and repositioning along the dipstick.

**Dipstick ordering**

- DIP.206
- DIP.207

## OPTION 3 3-HOLE RESERVOIR INSTALLATION (6-hole available)



**Note:** Form 3 off tank mounting holes between Ø4.0 and Ø4.4mm (dependent on the material and thickness – see chart for guide) equispaced on 41.3 P.C.D. to suit No.10 thread forming screws supplied.

**3-hole filler breathers (6-hole available)**

- Part number
- AB.68110
- AB.68118

Note: Not suitable for use with DIP.206/207  
 6-hole AB.68910/AB.68918 available. Consult UCC

**NEW OPTIONS FULLY TESTED**

As part of the design and development programme for the new IP65 Filler Breathers, extensive performance and endurance testing was carried out to ensure durability and efficiency.

**3-hole installation (6-hole available)**

