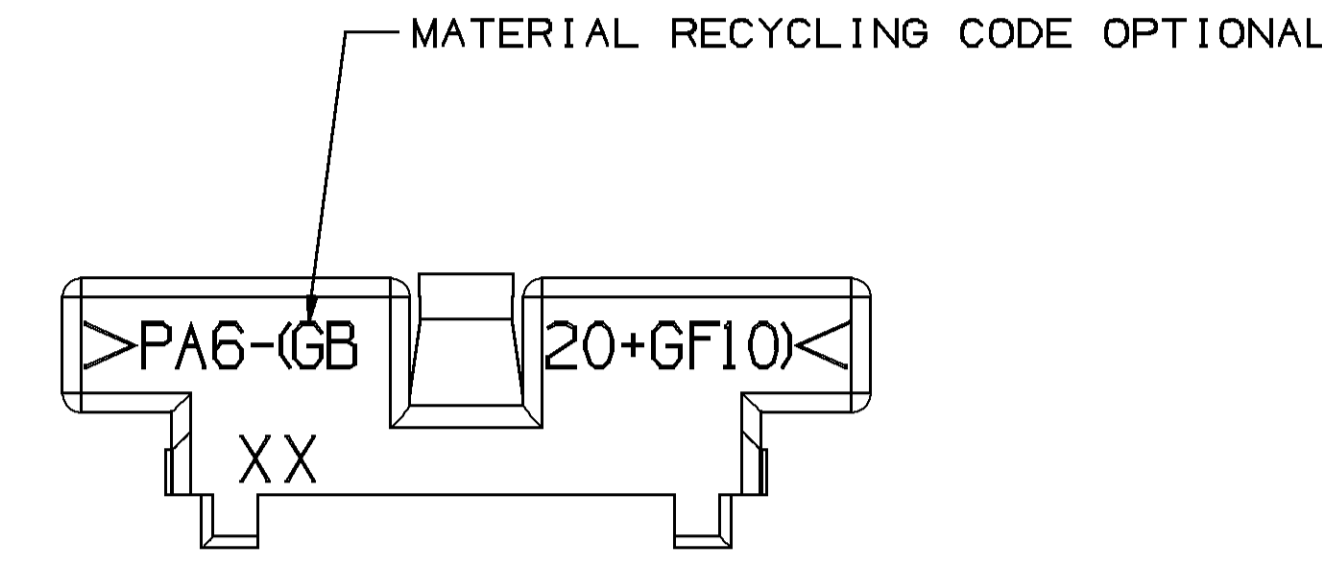
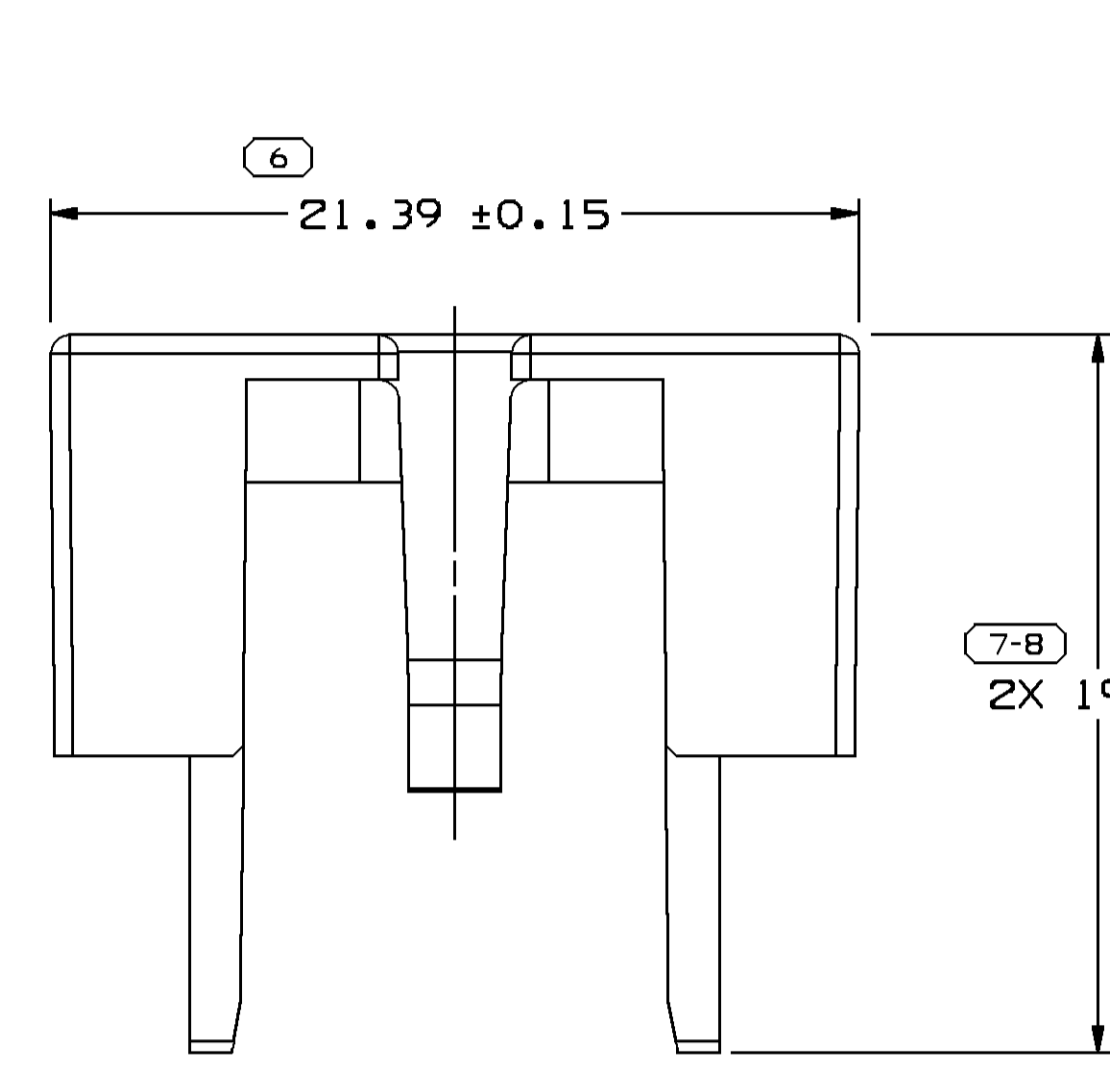
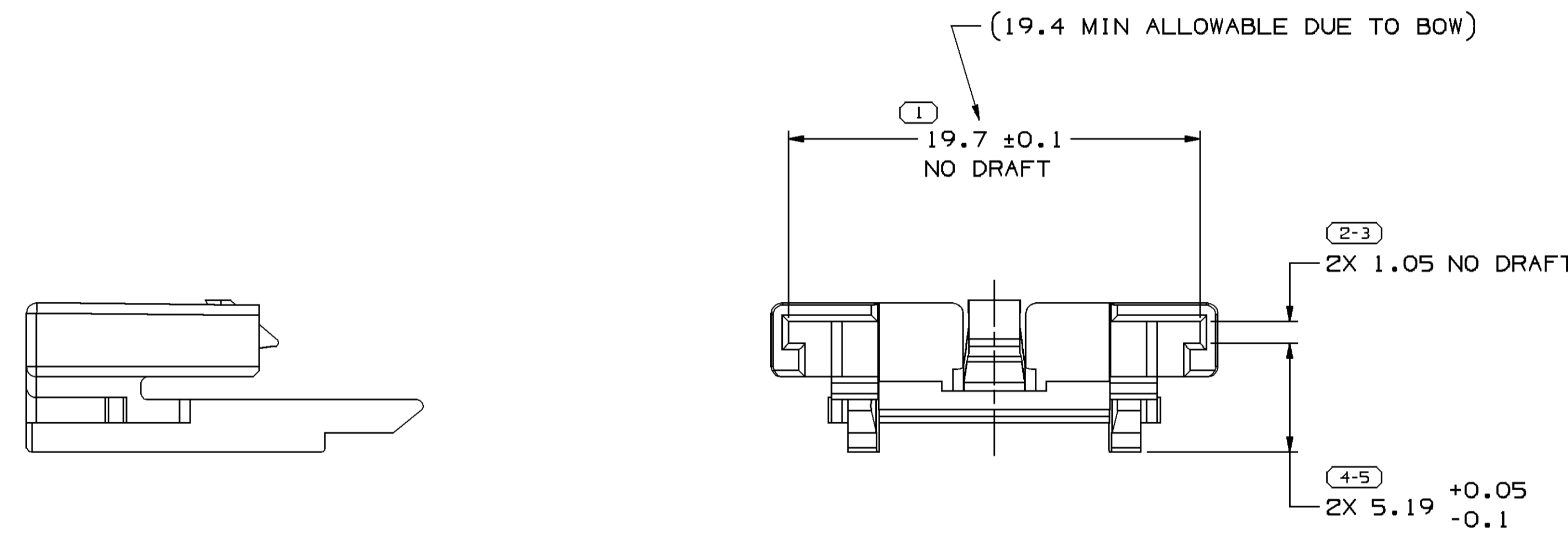


SYMBOL DEFINITION		MISSING NUMBERS	
A DIMENSION WITHOUT AN INSPECTION REPORT SYMBOL () DOES NOT REQUIRE INSPECTION. IT MAY BE CONTROLLED ON AN INDIVIDUAL COMPONENT DRAWING.	TOTAL NO. OF SYMBOLS ON DRAWING	7	
	LAST NO. USED	10	

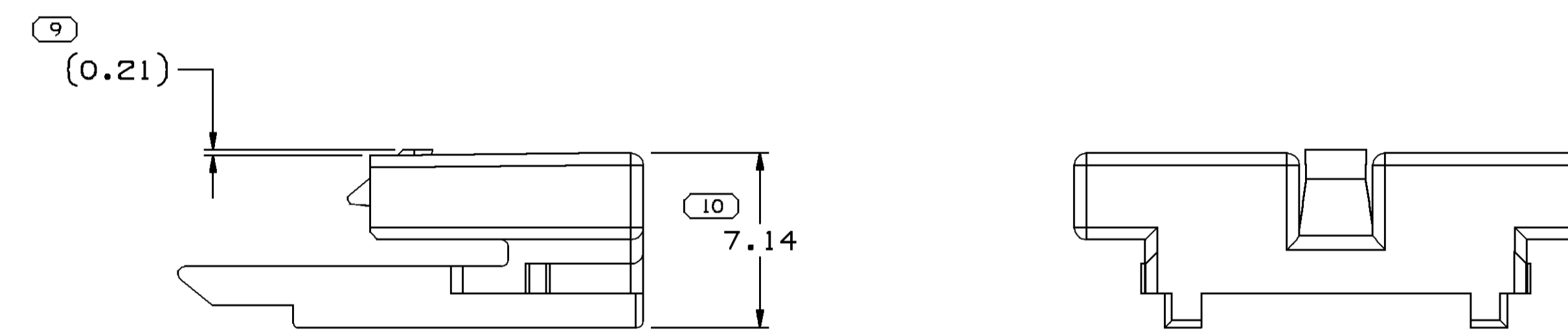
DATE	DRG STATUS	STG	REV	N/P	CHG	ZONE	REVISION HISTORY	AUTH	DR	AP/VD	AP/VD
29M102	R	11	-	-	-		CLEARED REV COLUMN: 15405481 - REVISED GRAPHICS: M3571009 WAS PM003571 006, M2965008 WAS PM002965 008, M3571003 WAS PM003571 003; REVISED NOTES	226118	C.JP	CJP	MB
18JUL03	R	12	-	-	-		ALL PARTS - UPDATED PDM ATTRIBUTES	243602	JVM	JVM	AD
25JUN04	R	13	-	-	-		ALL PARTS - UPDATED PDM ATTRIBUTES	256385	JTV	FKV	MDW
13JUL05	R	14	-	-	-		15317832 - UPDATED PDM ATTRIBUTES AND ADDED FORD PRINT	270016	JBD	JVM	CSO
14AU07	R	15	-	-	-		13662316 - RELEASED; ALL ACTIVE PARTS - ADDED NOTE 5; REVISED NOTE 3	402095	RH	RH	TAV



TYPE 103
SAME AS TYPE 102 EXCEPT AS SHOWN

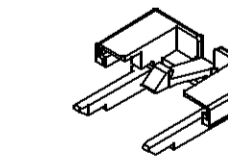


TYPE 102



NOTES

- UNLESS OTHERWISE SPECIFIED AND/OR INDICATED:
DIMENSIONS ARE TO FACE OF VIEW SHOWN AND AUTOMATICALLY ROUNDED BY COMPUTER FOR INSPECTION. (SEE MATH MODEL FOR PRECISE DIMENSIONS.) FOR ALL OTHER DIMENSIONS NOT SHOWN BUT REQUIRED FOR TOOL BUILD, SEE MATH MODEL FOR PRECISE TOOL PATH DATA.
- THIS PART IS NOT CONTROLLED FOR AUTOMATIC FEEDING.
- MATERIAL RECYCLING CODE PER ISO 11469, (1.2)X(0.1) CHARACTERS AS SHOWN TO BE LOCATED ON ANY EXTERIOR SURFACE.
- (2.3)X(0.1) DELPHI CORPORATE BRAND TO BE LOCATED ON ANY EXTERIOR SURFACE, PREFERABLY VISIBLE AT FINAL ASSEMBLY. OPTIONAL CONSTRUCTION FOR EXISTING TOOLING MAY BE "PED".
- THIS PRODUCT IS NOT CATEGORIZED AS AN APPEARANCE ITEM. MINOR IMPERFECTIONS INCLUDING, BUT NOT LIMITED TO, FLOW MARKS, COLOR BLEMISHES, GATE VESTIGES, AND SOFT FLASH THAT DO NOT AFFECT THE FIT, FORM, OR FUNCTION OF THE PART ARE PERMISSIBLE PER NAP 4.10-18.



PART NO	REV	N/P	STATUS	TYPE	MATERIAL SPEC & COLOR	REPLACED BY	VOL
13662316	01	-		102	POLYAMIDE COMPOUND GRA		0.559
15405481	04	AA		103	POLYAMIDE COMPOUND YEL		0.559
15401975	02	AA		102	POLYAMIDE COMPOUND BLU		0.559
15317832	07	AB		102	POLYAMIDE COMPOUND GRA		0.559
15317629	05	-	OBSOLETE	101	M3571009 PA6 GB20+GF10 HS PPL	15317832	0.559

DIMENSIONAL RANGE (MM)	TOLERANCE UNLESS OTHERWISE SPECIFIED
FROM > 0	> 0.20
TO 20	0.30
20 70	0.40
70 100	0.50
100 150	0.63
150 200	0.80
200 250	1.00
250 300	1.25
> 300	1.60
ANGULAR TOLERANCE 2°	± 1.2

DRG TYPE	PART DRAWING
STYLE	
VOLUME (QTY)	018TR CODE
SEE CHART	D
UNLESS OTHERWISE SPECIFIED	
THIS DOCUMENT IS IN ACCORDANCE WITH ASME Y14.5M-1994 AS MODIFIED BY THE 20 DIMENSIONAL TOLERANCE AND RELATED DATUM APPL. RES. RULE #1 UNLESS OTHERWISE SPECIFIED. DIMENSIONS ARE IN MILLIMETERS UNLESS OTHERWISE SPECIFIED. DIMENSIONS IN PARENTHESES ARE DIMENSIONS OF THE PART. DIMENSIONS IN PARENTHESES ARE DIMENSIONS OF THE PART. DIMENSIONS IN PARENTHESES ARE DIMENSIONS OF THE PART.	
THIRD ANGLE PROJECTION	
DO NOT SCALE. USE MATH DATA.	

DELPHI
DELPHI PACKARD ELECTRICAL/ELECTRONIC ARCHITECTURE
WARREN, OH

DR	DATE
APV01 R. D'ANDREA	25NOV96
APV02 R. D'ANDREA	25NOV96
APV03 ED ARANGO	12DEC96
APV04	
APV05	

MATERIAL SEE CHART

DRAWING NAME: TAXI LOCK CPA AXIAL

DRAWING NUMBER: 15317831

SIZE: AD SCALE: 5:1 FRAME NO: 1 OF 1 SHEET NO: 576 REV: N/P