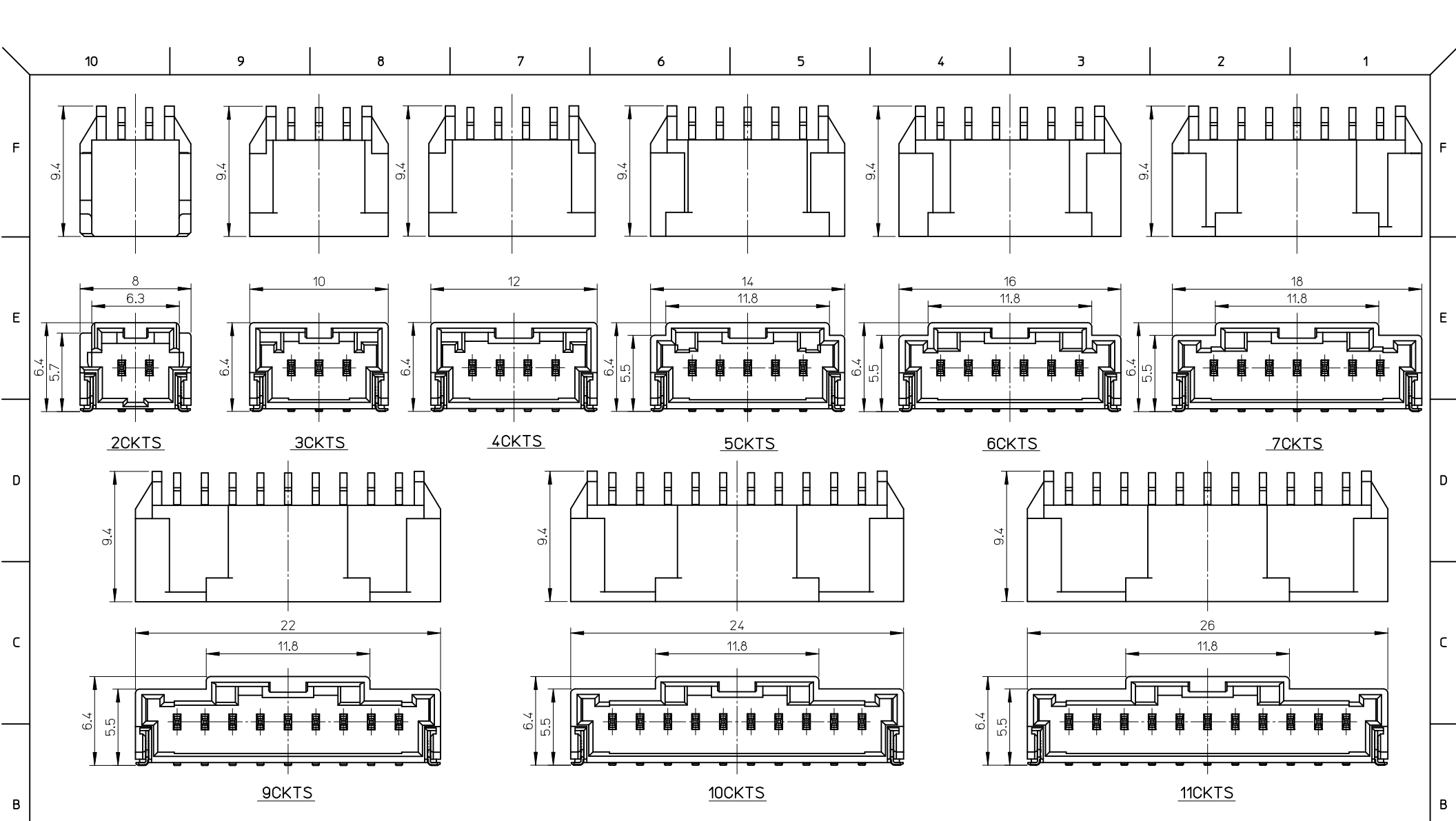


注記 NOTES

- 材質  
ハウジング: 耐熱性ナイロン UL94V-0  
ピン: 銅合金、ニッケル下地、錫メッキ、金メッキ  
フィッティングネール: 銅合金、ニッケル下地、錫メッキ  
MATERIAL  
HOUSING: POLYAMIDE UL94V-0  
PIN: COPPER ALLOY, GOLD OR TIN OVER NICKEL PLATE.  
FITTING NAIL: COPPER ALLOY, TIN OVER NICKEL PLATE.
- 色: ナチュラル、黒  
COLOR: NATURAL, BLACK
- 嵌合相手  
ハウジング: 502351-\*\*0\*  
錫メッキ端子: 50212-8\*00, 50372-8\*00, 560085-0101  
金メッキ端子: 56161-8\*81  
MATES WITH  
HOUSING: 502351-\*\*0\*  
SN PLATING TERMINAL: 50212-8\*00, 50372-8\*00, 560085-0101  
AU PLATING TERMINAL: 56161-8\*81
- エンボス梱包品の詳細はSD-502352-002参照  
DETAILED TAPING PACKAGE, SEE SD-502352-002.
- ELV及びRoHS適合  
ELV AND RoHS COMPLIANT
- 半田付け面のコプラナリティ: 0.1mm MAX.  
CO-PLANARITY OF SOLDERING TAILS TO BE 0.1mm MAX.

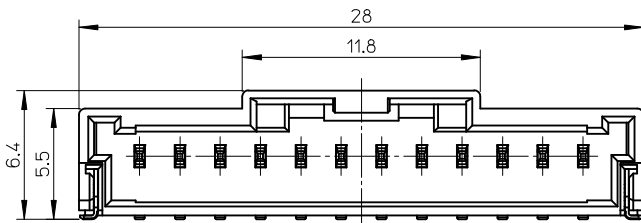
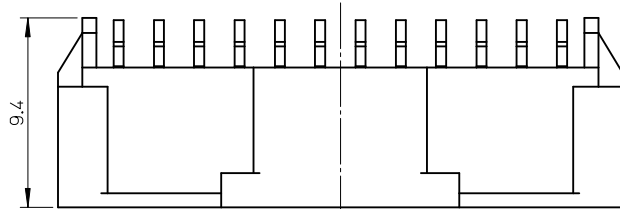
- 一般公差  
GENERAL TOLERANCES  
10 UNDER: 0.2  
10 OVER 30 UNDER: 0.25  
30 OVER: 0.3  
ANGULAR: ±3°

REVISED EC NO: JTR2015-0089 DRWN: Y.TAMAKI 2015/02/18 CHKD: H.KOMATSU 2015/02/18 APPR: M.YAMAMOTO 2015/04/28	QUALITY SYMBOLS △E/A=0 △E/B=0 △E/C=0	GENERAL TOLERANCES (UNLESS SPECIFIED)		DIMENSION STYLE MM ONLY		SCALE 5:1	DESIGN UNITS METRIC	THIRD ANGLE PROJECTION		
		mm	INCH	DRAWN BY SHSHIBATA	DATE 2007/12/18	TITLE 2.0MM PITCH W/B CONN. WAFER ASSY R/A SMT				
		4 PLACES ± --- ± ---	3 PLACES ± --- ± ---	CHECKED BY HKOMATSU	DATE 2007/12/18	molex				
		2 PLACES ± --- ± ---	1 PLACE ± --- ± ---	APPROVED BY AKANESHIGE	DATE 2007/12/18					
0 PLACE ± --- ± ---	ANGULAR ± - °		MATERIAL NO.		DOCUMENT NO. SD-502352-001		SHEET NO. 1 OF 4			
DRAFT WHERE APPLICABLE MUST REMAIN WITHIN DIMENSIONS		SIZE A3	THIS DRAWING CONTAINS INFORMATION THAT IS PROPRIETARY TO MOLEX INCORPORATED AND SHOULD NOT BE USED WITHOUT WRITTEN PERMISSION							

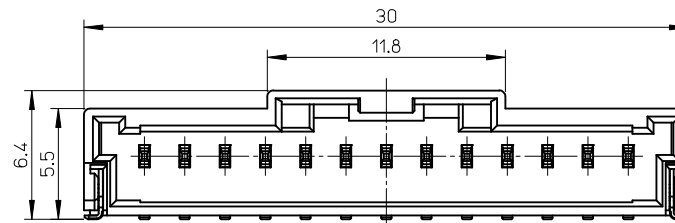
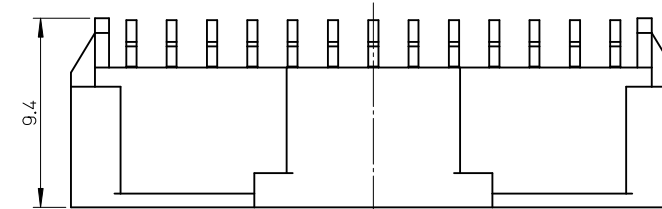


<b>REVISED</b> EC NO: JTR2015-0089 DRWN: Y. TANAKI 2015/02/18 CHKD: H. KOMATSU 2015/02/18 APPR: M. YAMAMOTO 2015/04/28	<b>QUALITY SYMBOLS</b> $\nabla = 0$ $\nabla = 0$ $\nabla = 0$	<b>GENERAL TOLERANCES (UNLESS SPECIFIED)</b>		<b>DIMENSION STYLE</b> MM ONLY	<b>SCALE</b> 4:1	<b>DESIGN UNITS</b> METRIC	THIRD ANGLE PROJECTION
		4 PLACES ± --- ± --- 3 PLACES ± --- ± --- 2 PLACES ± --- ± --- 1 PLACE ± --- ± --- 0 PLACE ± ±	mm      INCH	DRAWN BY      DATE SHSHIBATA    2007/12/18	TITLE 2.0MM PITCH W/B CONN. WAFER ASSY R/A SMT		
		DRAFT WHERE APPLICABLE MUST REMAIN WITHIN DIMENSIONS		CHECKED BY      DATE HKOMATSU        2007/12/18			
		ANGULAR ± - °		APPROVED BY      DATE AKANESHIGE      2007/12/18			
<b>REV</b>	<b>DESCRIPTION</b>	MATERIAL NO.		<b>SEE CHART</b>	DOCUMENT NO. SD-502352-001	SHEET NO. 2 OF 4	

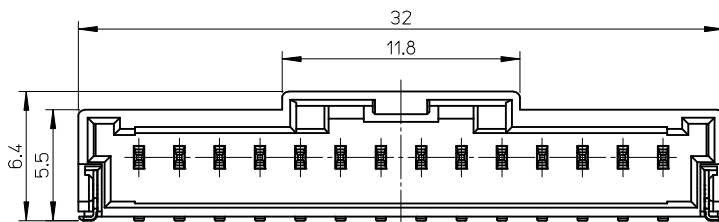
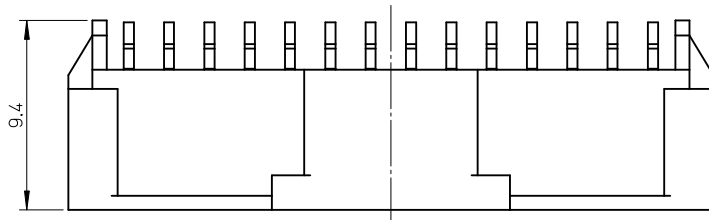
10 9 8 7 6 5 4 3 2 1



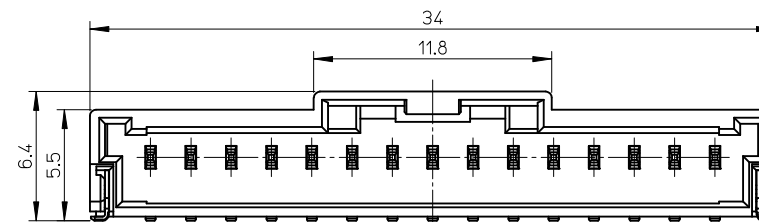
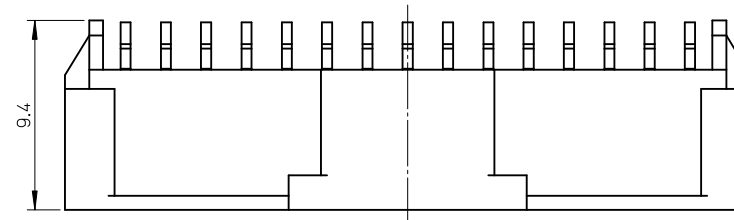
12CKTS



13CKTS



14CKTS



15CKTS

<b>REVISED</b> EC NO: JTR2015-0089 DRWN: Y. TAKAKI 2015/02/18 CHKD: H. KOMATSU 2015/02/18 APPR: M. YAMAMOTO 2015/04/28	QUALITY SYMBOLS $\nabla$ = 0 $\nabla$ = 0 $\nabla$ = 0	GENERAL TOLERANCES (UNLESS SPECIFIED)		DIMENSION STYLE <b>MM ONLY</b>	SCALE <b>4:1</b>	DESIGN UNITS <b>METRIC</b>	THIRD ANGLE PROJECTION		
		4 PLACES ± --- ± ---	3 PLACES ± --- ± ---	2 PLACES ± --- ± ---	1 PLACE ± --- ± ---	0 PLACE ± ±	TITLE <b>2.0MM PITCH W/B CONN. WAFER ASSY R/A SMT</b>		
		ANGULAR ± - °		DRAFT WHERE APPLICABLE MUST REMAIN WITHIN DIMENSIONS		DRAWN BY SHSHIBATA	DATE 2007/12/18	DOCUMENT NO. <b>SD-502352-001</b>	
		SEE CHART		MATERIAL NO.		APPROVED BY AKANESHIGE		DATE 2007/12/18	

9 8 7 6 5 4 3 2 1

	10	9	8	7	6	5	4	3	2	1	
F	Sn NATURAL	34.0	502352-1500	15	Au NATURAL	34.0	502352-1510	15			
		32.0	502352-1400	14		32.0	502352-1410	14			
		30.0	502352-1300	13		30.0	502352-1310	13			
		28.0	502352-1200	12		28.0	502352-1210	12			
		26.0	502352-1100	11		26.0	502352-1110	11			
		24.0	502352-1000	10		24.0	502352-1010	10			
		22.0	502352-0900	9		22.0	502352-0910	9			
		20.0	502352-0800	8		20.0	502352-0810	8			
		18.0	502352-0700	7		18.0	502352-0710	7			
		16.0	502352-0600	6		16.0	502352-0610	6			
		14.0	502352-0500	5		14.0	502352-0510	5			
		12.0	502352-0400	4		12.0	502352-0410	4			
10.0	502352-0300	3	10.0	502352-0310	3						
8.0	502352-0200	2	8.0	502352-0210	2						
PLATING COLOR	A	EMBOSSED PACKAGE ORDER NO.	CKTS	PLATING COLOR	A	EMBOSSED PACKAGE ORDER NO.	CKTS				
CONNECTOR SERIES NO. 502352-**08				CONNECTOR SERIES NO. 502352-**18							

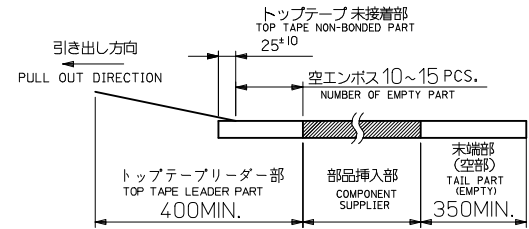
D	Sn BLACK			15
				14
				13
				12
				11
				10
				9
		20.0	502352-0801	8
		18.0	502352-0701	7
		16.0	502352-0601	6
		14.0	502352-0501	5
		12.0	502352-0401	4
10.0	502352-0301	3		
8.0	502352-0201	2		
PLATING COLOR	A	EMBOSSED PACKAGE ORDER NO.	CKTS	
CONNECTOR SERIES NO. 502352-**28				

CONNECTOR SERIES NO. 502352-\*\*28

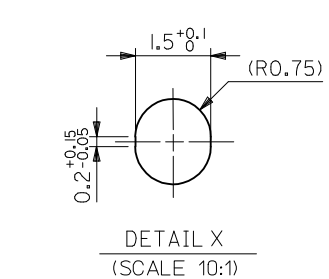
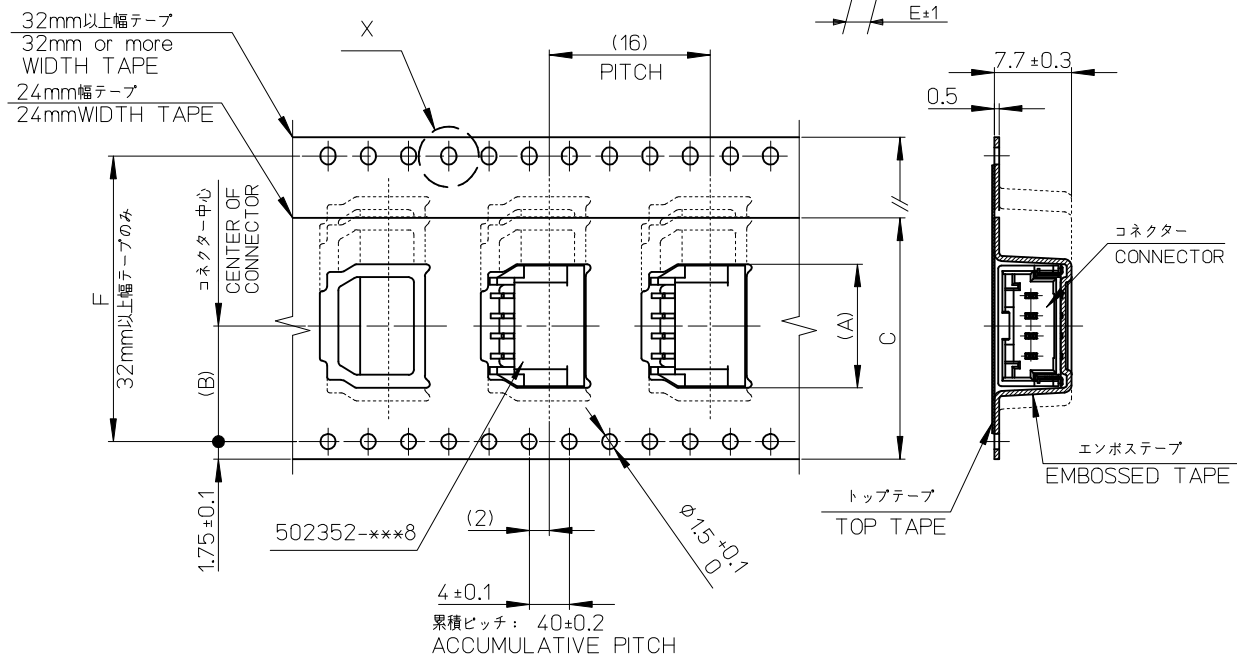
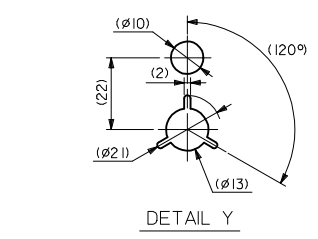
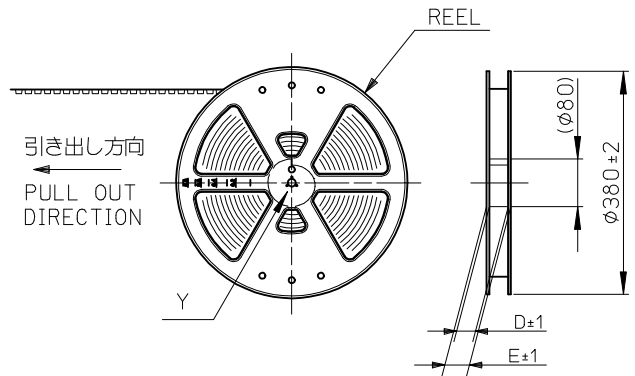
<b>REVISED</b> EC NO: JTR2015-0089 DRWN: Y. TAKAKI 2015/02/18 CHKD: H. KOMATSU 2015/02/18 APPR: M. YAMAMOTO 2015/04/28	QUALITY SYMBOLS $\nabla = 0$ $\nabla \square = 0$ $\nabla \square \square = 0$	GENERAL TOLERANCES (UNLESS SPECIFIED)		DIMENSION STYLE <b>MM ONLY</b>	SCALE <b>5:1</b>	DESIGN UNITS <b>METRIC</b>	THIRD ANGLE PROJECTION																		
		<table border="1"> <thead> <tr> <th></th> <th>mm</th> <th>INCH</th> </tr> </thead> <tbody> <tr> <td>4 PLACES</td> <td>± 0.05</td> <td>± 0.002</td> </tr> <tr> <td>3 PLACES</td> <td>± 0.08</td> <td>± 0.003</td> </tr> <tr> <td>2 PLACES</td> <td>± 0.15</td> <td>± 0.006</td> </tr> <tr> <td>1 PLACE</td> <td>± 0.30</td> <td>± 0.012</td> </tr> <tr> <td>0 PLACE</td> <td>± 0.50</td> <td>± 0.020</td> </tr> </tbody> </table>		mm	INCH	4 PLACES	± 0.05	± 0.002	3 PLACES	± 0.08	± 0.003	2 PLACES	± 0.15	± 0.006	1 PLACE	± 0.30	± 0.012	0 PLACE	± 0.50	± 0.020	DRAWN BY SHSHIBATA	DATE 2007/12/18	TITLE <b>2.0MM PITCH W/B CONN. WAFER ASSY R/A SMT</b>		
			mm	INCH																					
		4 PLACES	± 0.05	± 0.002																					
3 PLACES	± 0.08	± 0.003																							
2 PLACES	± 0.15	± 0.006																							
1 PLACE	± 0.30	± 0.012																							
0 PLACE	± 0.50	± 0.020																							
DRAFT WHERE APPLICABLE MUST REMAIN WITHIN DIMENSIONS	CHECKED BY HKOMATSU	DATE 2007/12/18	<b>molex</b>																						
MATERIAL NO.	APPROVED BY AKANESHIGE	DATE 2007/12/18	SEE CHART	DOCUMENT NO. SD-502352-001	SHEET NO. 4 OF 4	THIS DRAWING CONTAINS INFORMATION THAT IS PROPRIETARY TO MOLEX INCORPORATED AND SHOULD NOT BE USED WITHOUT WRITTEN PERMISSION																			

注記  
NOTES

- 製品番号  
ナチュラル: 502352-\*\*\*0  
黒: 502352-\*\*\*1  
詳細寸法については、製品単体図面を参照下さい。  
PART NO.  
NATURAL: 502352-\*\*\*0  
BLACK: 502352-\*\*\*1  
SEE SALES DRAWING FOR CONNECTOR
- 梱包数量: 700個/リール  
NUMBER OF CONNECTORS 700PCS/REEL
- リードテープ長さ  
LEAD TAPE LENGHT



- 材料  
MATERIAL  
キャリアテープ: ポリスチレン  
CARRIER TAPE: POLYSTYRENE  
トップテープ: PET, PE, PEF  
TOP TAPE: PET, PE, PEF  
リール: ポリスチレン  
REEL: POLYSTYRENE
- 一般降参  
GENERAL TOLERANCES  
10 UNDER: 0.2  
10 OVER 30 UNDER: 0.25  
30 OVER: 0.3  
ANGULAR: ±1°



引き出し方向  
PULL OUT DIRECTION

エンボステープ内の製品の向き  
DIRECTION OF CONNECTOR  
IN EMBOSS TAPE

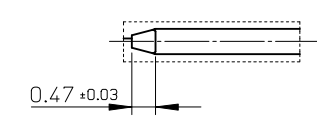
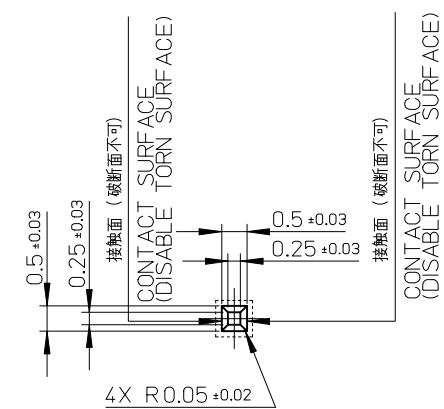
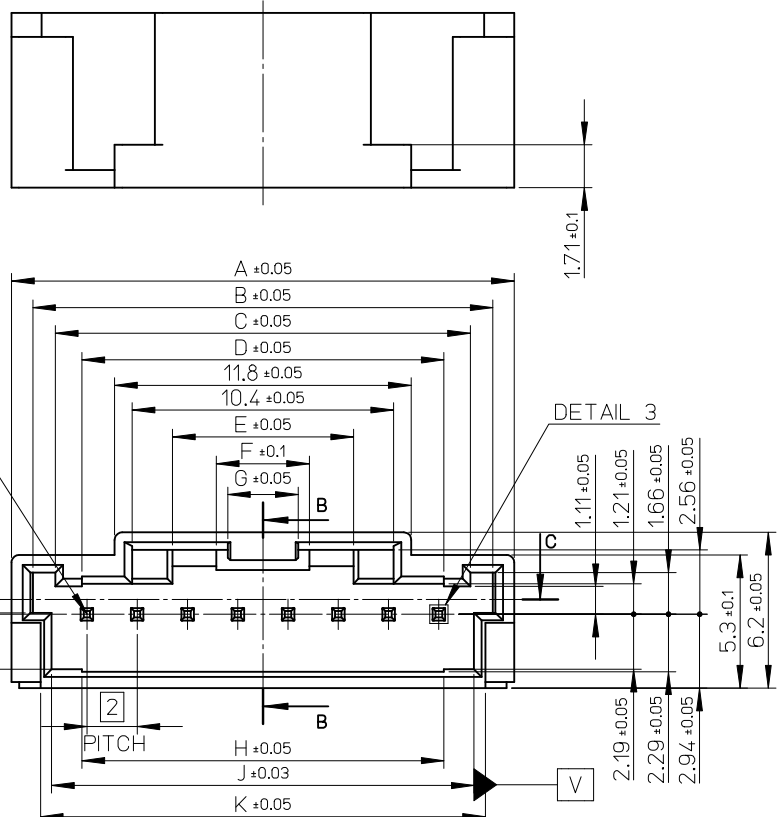
REVISED EC NO: JTR2015-0089 DRWN: YAMAKI 2015/03/03 CHKD: KOMATSU 2015/03/03 APPR: MAYAMOTO 2015/04/28	QUALITY SYMBOLS ▽=0 ▽=0 ▽=0	GENERAL TOLERANCES (UNLESS SPECIFIED)		DIMENSION STYLE MM ONLY		SCALE	DESIGN UNITS METRIC	THIRD ANGLE PROJECTION		
		4 PLACES	±---	±---	DRAWN BY SHSHIBATA	DATE 2007/6/6	TITLE 2.0MM PITCH W/B CONN. WAFER ASSY EMBOSS TAPE PACKAGE			
		3 PLACES	±---	±---	CHECKED BY TAITO	DATE 2007/6/6	molex			
		2 PLACES	±---	±---	APPROVED BY MAYAMOTO	DATE 2012/03/14				
1 PLACE	±---	±---	MATERIAL NO.		DOCUMENT NO. SD-502352-002		SHEET NO. 1 OF 2			
0 PLACE	±---	±---	ANGULAR ± °		SEE CHART		THIS DRAWING CONTAINS INFORMATION THAT IS PROPRIETARY TO MOLEX INCORPORATED AND SHOULD NOT BE USED WITHOUT WRITTEN PERMISSION			

	10		9		8		7		6		5		4		3		2		1
F	Sn NATURAL	52.4	61.4	57.4	56	26.2	34.3	502352-1500	15	Au NATURAL	52.4	61.4	57.4	56	26.2	34.3	502352-1510	15	F
							32.3	502352-1400	14							32.3	502352-1410	14	
							30.3	502352-1300	13							30.3	502352-1310	13	
							28.3	502352-1200	12							28.3	502352-1210	12	
		40.4	49.4	45.4	44	20.2	26.3	502352-1100	11		40.4	49.4	45.4	44	20.2	26.3	502352-1110	11	
							24.3	502352-1000	10							24.3	502352-1010	10	
							22.3	502352-0900	9							22.3	502352-0910	9	
							20.3	502352-0800	8							20.3	502352-0810	8	
		28.4	37.4	33.4	32	14.2	18.3	502352-0700	7		28.4	37.4	33.4	32	14.2	18.3	502352-0710	7	
							16.3	502352-0600	6							16.3	502352-0610	6	
E	/	29.4	25.4	24	11.5	14.3	502352-0500	5	/	29.4	25.4	24	11.5	14.3	502352-0510	5			
						12.3	502352-0400	4						12.3	502352-0410	4			
						10.3	502352-0300	3						10.3	502352-0310	3			
						8.3	502352-0200	2						8.3	502352-0210	2			
PLATING COLOR	F	E	D	C	(B)	(A)	エンボス梱包品 製品番号 MATERIAL NO.	極数 CKT.	PLATING COLOR	F	E	D	C	(B)	(A)	エンボス梱包品 製品番号 MATERIAL NO.	極数 CKT.		

D	Sn BLACK																				
C	/	29.4	25.4	24	11.5	20.3	502352-0801	8	/	29.4	25.4	24	11.5	20.3	502352-0801	8					
						18.3	502352-0701	7						18.3	502352-0701	7					
						16.3	502352-0601	6						16.3	502352-0601	6					
						14.3	502352-0501	5						14.3	502352-0501	5					
						12.3	502352-0401	4						12.3	502352-0401	4					
B	/	29.4	25.4	24	11.5	10.3	502352-0301	3	/	29.4	25.4	24	11.5	10.3	502352-0301	3					
						8.3	502352-0201	2						8.3	502352-0201	2					
PLATING COLOR	F	E	D	C	(B)	(A)	エンボス梱包品 製品番号 MATERIAL NO.	極数 CKT.	PLATING COLOR	F	E	D	C	(B)	(A)	エンボス梱包品 製品番号 MATERIAL NO.	極数 CKT.				

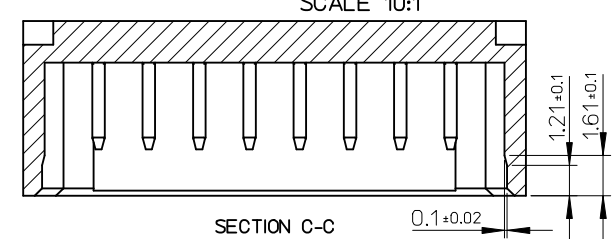
REVISED EC NO: JTR2015-0089 DRWN:Y.TAMAKI 2015/03/03 CHKD:H.KOMATSU 2015/03/03 APPR: MAYAMAMOTO 2015/04/28	DESCRIPTION QUALITY SYMBOLS ▽ <sub>F</sub> = 0 ▽ <sub>G</sub> = 0 ▽ <sub>P</sub> = 0	GENERAL TOLERANCES (UNLESS SPECIFIED)		DIMENSION STYLE MM ONLY		SCALE 1:1	DESIGN UNITS METRIC	THIRD ANGLE PROJECTION		
			mm	INCH	DRAWN BY SHSHIBATA	DATE 2007/6/6	TITLE 2.0MM PITCH W/B CONN. WAFER ASSY EMBOSSED TAPE PACKAGE			
		4 PLACES	± ---	± ---	CHECKED BY TAITO	DATE 2007/6/6				
			3 PLACES	± ---	± ---	APPROVED BY MAYAMAMOTO	DATE 2012/03/14	DOCUMENT NO. SD-502352-002		SHEET NO. 2 OF 2
	2 PLACES	± ---	± ---	SEE CHART		THIS DRAWING CONTAINS INFORMATION THAT IS PROPRIETARY TO MOLEX INCORPORATED AND SHOULD NOT BE USED WITHOUT WRITTEN PERMISSION				
	1 PLACE	± ---	± ---	DRAFT WHERE APPLICABLE MUST REMAIN WITHIN DIMENSIONS						
	0 PLACE	± ---	± ---	ANGULAR ± - °						

10 9 8 7 6 5 4 3 2 1

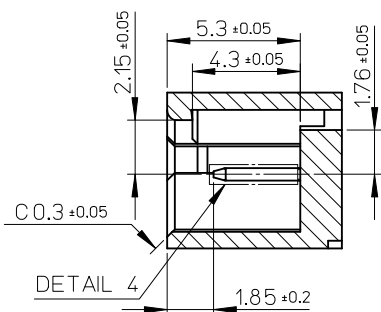


DETAIL 3  
SCALE 10:1

DETAIL 4  
SCALE 10:1



SECTION C-C



SECTION B-B

31.7	30.8	28.4	2.8	3.7	7.2	28.4	30.5	32.3	34	15
29.7	28.8	26.4	2.8	3.7	7.2	26.4	28.5	30.3	32	14
27.7	26.8	24.4	2.8	3.7	7.2	24.4	26.5	28.3	30	13
25.7	24.8	22.4	2.8	3.7	7.2	22.4	24.5	26.3	28	12
23.7	22.8	20.4	2.8	3.7	7.2	20.4	22.5	24.3	26	11
21.7	20.8	18.4	2.8	3.7	7.2	18.4	20.5	22.3	24	10
19.7	18.8	16.4	2.8	3.7	7.2	16.4	18.5	20.3	22	9
17.7	16.8	14.4	2.8	3.7	7.2	14.4	16.5	18.3	20	8
15.7	14.8	12.4	2.8	3.7	7.2	12.4	14.5	16.3	18	7
13.7	12.8	10.4	2.8	3.7	7.2	10.4	12.5	14.3	16	6
11.7	10.8	8.4	2.8	3.7	7.2			12.3	14	5
9.7	8.8	6.4	2.8	3.7	7.1			10.3	12	4
7.7	6.8	4.4	2	2.9	5.1			8.3	10	3
										2
K	J	H	G	F	E	D	C	B	A	CKT

注記  
NOTES

- 弊社製品寸法を保証するものではありません。  
THIS DRAWING IS NOT GUARANTY DIMENSIONS FOR MOLEX PRODUCT.
- 嵌合相手  
MATES WITH  
502351-\*\*-0\*: DuraClik  
505151-\*\*-00: DuraClik TPA  
560123-\*\*-0\*: DuraClik ISL
- メッキ仕様  
ピン: 銅合金、ニッケル下地(1μm以上)、錫メッキ(1μm以上)  
PLATING SPEC  
PIN: COPPER ALLOY, TIN(1μm MIN.) OVER NICKEL(1μm MIN.) PLATE.
- 参照図面  
REFERENCE DRAWING  
SD-502352-001

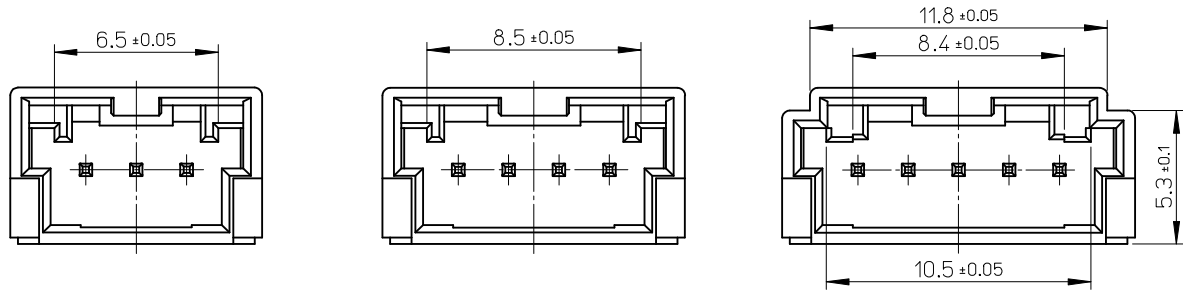
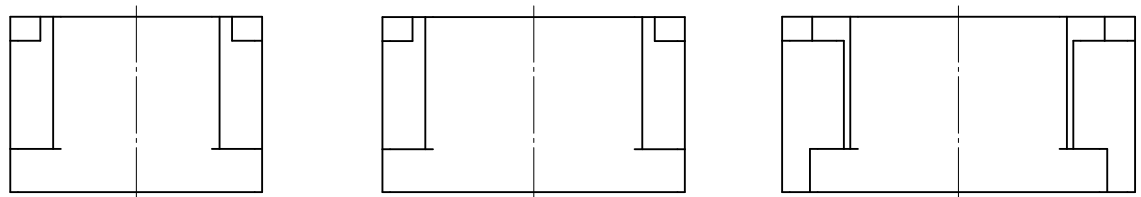
RECOMMENDED DIMENSIONS  
FOR CONNECTOR INTERFACE

RELEASED EC NO.: JTR2016-0011 DRWN: YAMAKI 2015/03/25 CHKD: HKOMATSU 2015/07/24 APPR: MAYAMOTO 2015/07/24	QUALITY SYMBOLS ▽=0 △=0 ◇=0	GENERAL TOLERANCES (UNLESS SPECIFIED)	
		mm	INCH
REV 0	DESCRIPTION	4 PLACES	± --- ± ---
		3 PLACES	± --- ± ---
		2 PLACES	± --- ± ---
		1 PLACE	± --- ± ---
		0 PLACE	± --- ± ---
ANGULAR ± - °		DRAFT WHERE APPLICABLE MUST REMAIN WITHIN DIMENSIONS	

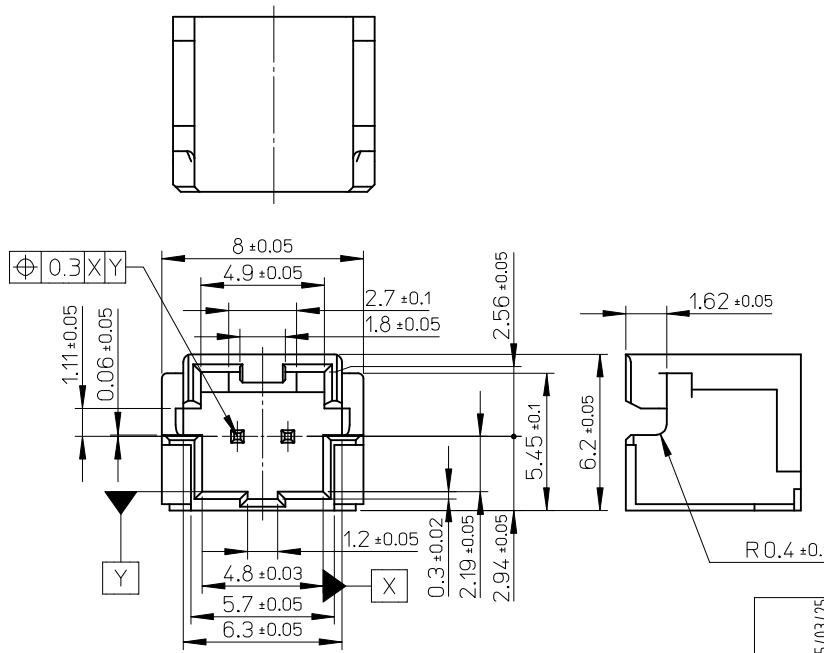
DIMENSION STYLE MM ONLY		SCALE 5:1	DESIGN UNITS METRIC	THIRD ANGLE PROJECTION
DRAWN BY YAMAKI	DATE 2015/03/25	TITLE 2.0MM PITCH W/B CONN. INTERFACE DRAWING		
CHECKED BY HKOMATSU	DATE 2015/07/24			
APPROVED BY MAYAMOTO	DATE 2015/07/24			
MATERIAL NO.	DOCUMENT NO. SD-502352-003-JP	SHEET NO. 1 OF 2		
SIZE A3	THIS DRAWING CONTAINS INFORMATION THAT IS PROPRIETARY TO MOLEX INCORPORATED AND SHOULD NOT BE USED WITHOUT WRITTEN PERMISSION			

9 8 7 6 5 4 3 2 1

	10	9	8	7	6	5	4	3	2	1
F	15									
	14									
	13									
	12									
	11									
	10	560123								
	9		505151							
	8	560123		502351						
	7									
	6	560123								
	5									
E	4									
	3	560123								
	2									
CKTS		ISL Receptacle	TPA Receptacle	Standard Receptacle						
Mate With Series										



3極 3CKT      4極 4CKT      5極 5CKT



RECOMMENDED DIMENSIONS FOR CONNECTOR INTERFACE

RELEASED EC NO: JTR2016-0011 DRWN: YAMAKI 2015/03/25 CHKD: KOMATSU 2015/07/24 APPR: MAYAMOTO 2015/07/24	QUALITY SYMBOLS $\nabla_{\text{A}} = 0$ $\nabla_{\text{B}} = 0$ $\nabla_{\text{C}} = 0$	GENERAL TOLERANCES (UNLESS SPECIFIED)		DIMENSION STYLE <b>MM ONLY</b>	SCALE <b>5:1</b>	DESIGN UNITS <b>METRIC</b>	THIRD ANGLE PROJECTION
		mm	INCH	DRAWN BY YAMAKI	DATE 2015/03/25	TITLE <b>2.0MM PITCH W/B CONN. INTERFACE DRAWING</b>	
REV 0	DESCRIPTION 2極 2CKT 3極 3CKT 4極 4CKT 5極 5CKT	DRAFT WHERE APPLICABLE MUST REMAIN WITHIN DIMENSIONS		CHECKED BY KOMATSU	DATE 2015/07/24	<b>molex</b>	
		MATERIAL NO. ---		APPROVED BY MAYAMOTO		DATE 2015/07/24	DOCUMENT NO. <b>SD-502352-003-JP</b>
SIZE <b>A3</b>				THIS DRAWING CONTAINS INFORMATION THAT IS PROPRIETARY TO MOLEX INCORPORATED AND SHOULD NOT BE USED WITHOUT WRITTEN PERMISSION			