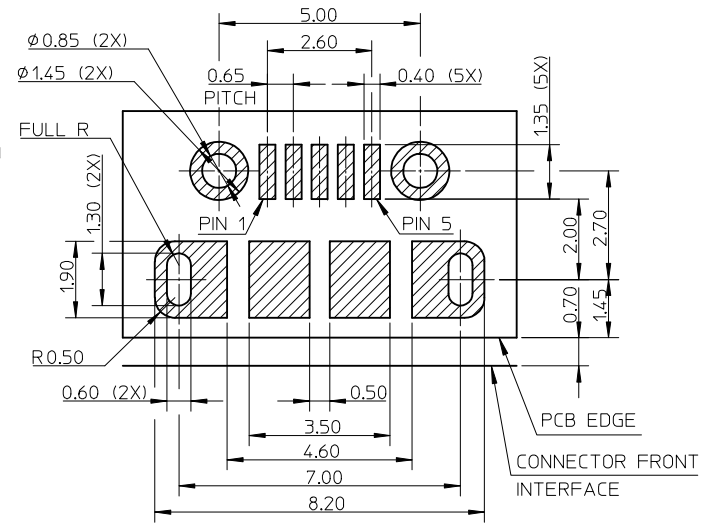
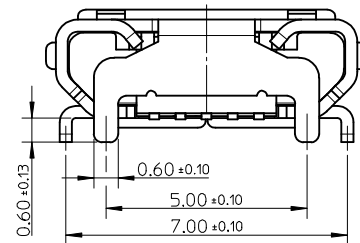
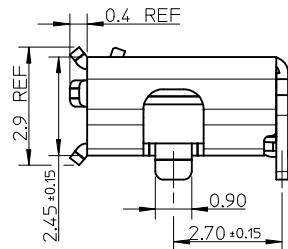
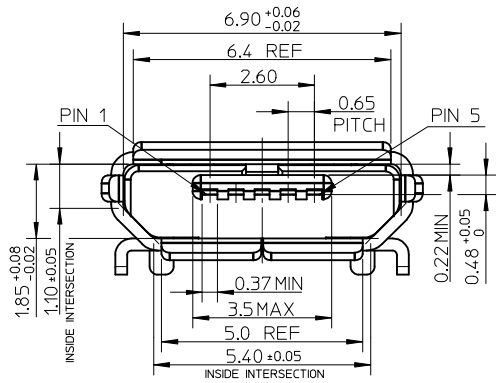
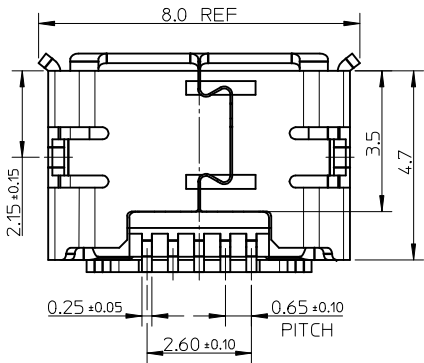


NOTES:

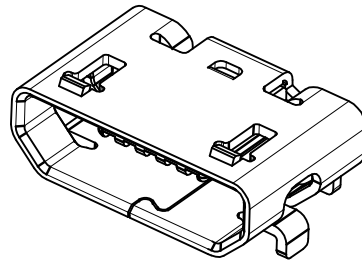
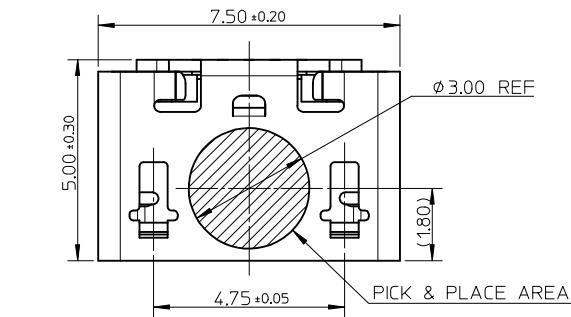
1. MATERIAL:
 HOUSING: LCP, BLACK, UL94V-0;
 TERMINAL: COPPER ALLOY, THICKNESS: 0.15mm;
 SHELL: STAINLESS STEEL, THICKNESS: 0.30mm.
2. PLATING:
 TERMINAL: CONTACT AREA: GOLD FLASH OVER MINIMUM 0.75MICRON Pd/Ni.
 SOLDER TAIL AREA: GOLD FLASH.
 UNDER PLATING: NICKEL 2.0 MICRON MINIMUM.
 SHELL: MATTE TIN 2.0 MICRON
 UNDER PLATING: NICKEL 1.27 MICRON MINIMUM.
3. TAIL & NAIL COPLANARITY 0.08mm MAXIMUM.
4. PRODUCT SPECIFICATION: PS-105017-001.
5. PACKAGING SPECIFICATION: PK-105017-001.
6. COMPLIANT TO RoHS DIRECTIVE 2002/95/EC AND ELV DIRECTIVE 2000/53/EC.



RECOMMENDED P.C.B. PATTERN LAYOUT
 GENERAL TOLERANCE: ±0.05

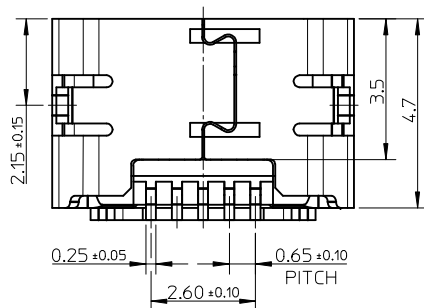
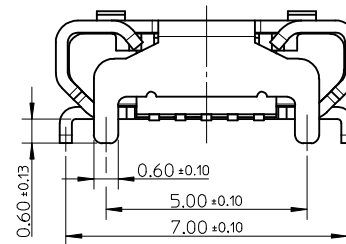
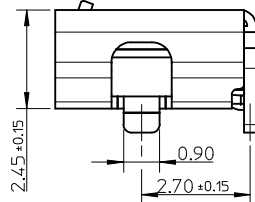
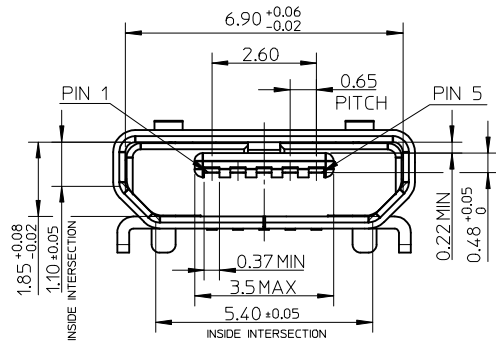


REVISED EC NO: SH2013-0168 TDRW: XQZHANG 2012/12/04 CHKD: XQZHANG 2012/12/04 APPR: AYIN 2012/12/10	DESCRIPTION REV	QUALITY SYMBOLS	GENERAL TOLERANCES (UNLESS SPECIFIED)		DIMENSION STYLE MM ONLY		SCALE 1:1	DESIGN UNITS METRIC	THIRD ANGLE PROJECTION
		$\nabla_{\sqrt{3}} = 0$ $\nabla_{\sqrt{2}} = 0$ $\nabla_{\sqrt{1}} = 0$	mm INCH 4 PLACES ± --- ± --- 3 PLACES ± --- ± --- 2 PLACES ± 0.25 ± --- 1 PLACE ± 0.25 ± --- 0 PLACE ± --- ± ---	DRAWN BY XJSONG	DATE 2008/01/23	TITLE MICRO USB BOTTOM MOUNT RECEPTACLE, B TYPE			
		ANGULAR ± 3 ° DRAFT WHERE APPLICABLE MUST REMAIN WITHIN DIMENSIONS		CHECKED BY JTIAN	DATE 2008/01/23	molex MATERIAL NO. 105017-0001 DOCUMENT NO. SD-105017-001			
				APPROVED BY HWWANG	DATE 2008/01/23			SHEET NO. 1 OF 2	
		THIS DRAWING CONTAINS INFORMATION THAT IS PROPRIETARY TO MOLEX INCORPORATED AND SHOULD NOT BE USED WITHOUT WRITTEN PERMISSION							



NOTES:

1. MATERIAL:
 HOUSING: LCP, BLACK, UL94V-0;
 TERMINAL: COPPER ALLOY, THICKNESS: 0.15mm;
 SHELL: STAINLESS STEEL, THICKNESS: 0.30mm.
2. PLATING:
 TERMINAL: CONTACT AREA: GOLD FLASH OVER MINIMUM 0.75MICRON Pd/Ni.
 SOLDER TAIL AREA: GOLD FLASH.
 UNDER PLATING: NICKEL 2.0 MICRON MINIMUM.
 SHELL: MATTE TIN 3.8 MICRON
 UNDER PLATING: NICKEL 1.27 MICRON MINIMUM.
3. TAIL & NAIL COPLANARITY 0.08mm MAXIMUM.
4. PRODUCT SPECIFICATION: PS-105017-001.
5. PACKAGING SPECIFICATION: PK-105017-001.
6. COMPLIANT TO RoHS DIRECTIVE 2002/95/EC AND ELV DIRECTIVE 2000/53/EC.



SEE SHEET 1 EC NO: SH2013-0168 TDRW: XQZHANG 2012/12/04 CHKD: XQZHANG 2012/12/04 APPR: AYIN 2012/12/10	QUALITY SYMBOLS F ₀ = 0 F ₀ = 0 F ₀ = 0	GENERAL TOLERANCES (UNLESS SPECIFIED)		DIMENSION STYLE MM ONLY		SCALE 1:1	DESIGN UNITS METRIC	THIRD ANGLE PROJECTION	
			mm	INCH	DRAWN BY	DATE	TITLE MICRO USB BOTTOM MOUNT RECEPTACLE, B TYPE FLANGELESS TYPE		
		4 PLACES	± ---	± ---	XJSONG	2008/01/23			
			± ---	± ---	CHECKED BY	DATE	MATERIAL NO. 105017-1001 DOCUMENT NO. SD-105017-001 SHEET NO. 2 OF 2		
3 PLACES	± ---	± ---	JTIAN	2008/01/23					
	± 0.25	± ---	APPROVED BY	DATE	THIS DRAWING CONTAINS INFORMATION THAT IS PROPRIETARY TO MOLEX INCORPORATED AND SHOULD NOT BE USED WITHOUT WRITTEN PERMISSION				
2 PLACES	± 0.25	± ---	HWANG	2008/01/23					
	± 0.25	± ---	ANGULAR ± 3 °		DRAFT WHERE APPLICABLE MUST REMAIN WITHIN DIMENSIONS				
1 PLACE	± 0.25	± ---							
	± ---	± ---							