

DIN RAIL ENCLOSURES

Extendable Module Boxes

UNIVERSAL ENCLOSURES

HAND HELD CASES

HEAVY DUTY ENCLOSURES

DIN RAIL ENCLOSURES

INTERFACE SUPPORTS

ELECTRICAL ENCLOSURES

DIECAST & METAL ENCLOSURES

DESKTOP & INSTRUMENT CASES

MULTI-PURPOSE & POTTING BOXES

19" ENCLOSURES

19" CABINETS

DEVELOPMENT BOARD ENCLOSURES

CUSTOM SIZED ENCLOSURES

FSPT/CUSTOM SERVICES

- 17.5mm width module enclosure, extendable enclosure has a detachable end plate
- Extension piece is sideless
- Each module, has 8 removable screw terminals
- Top hat 35mm DIN rail or surface mounting
- Moulded in flame retardant UL94-V0
- *DIN Rail Clips are not supplied with CMEB/E*
- Additional black clips are available on request

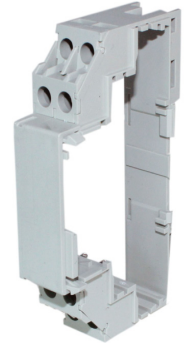
SPECIFICATION

| | |
|---------------------|--|
| Rating terminals | 8A/250VAC |
| Cable entry | 2x2.5mm ² Solid or Standard |
| Terminal protection | IP20 |

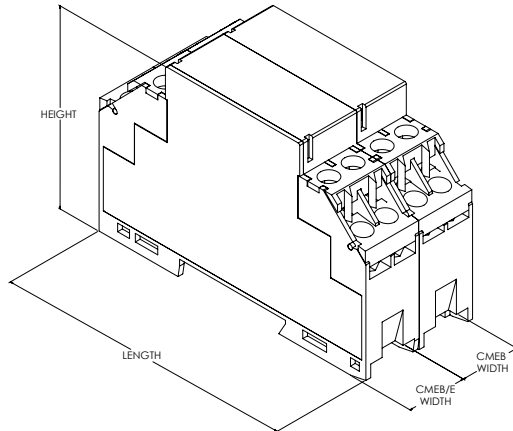
CMEB



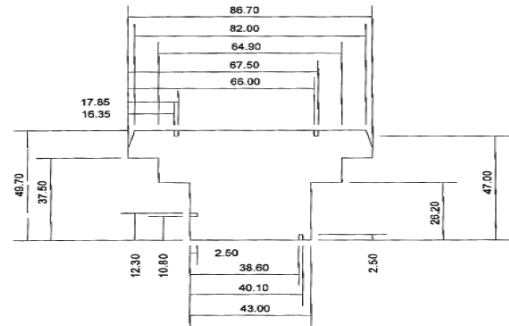
CMEB/E



| TYPE NO. | LENGTH | WIDTH | HEIGHT | DESCRIPTION |
|----------|--------|--------|--------|-------------------|
| CMEB | 90mm | 17.5mm | 59mm | 17.5mm module box |
| CMEB/E | 90mm | 17.5mm | 59mm | Extension |



CMEB max PCB Dimensions



CMEB/E max PCB Dimensions

