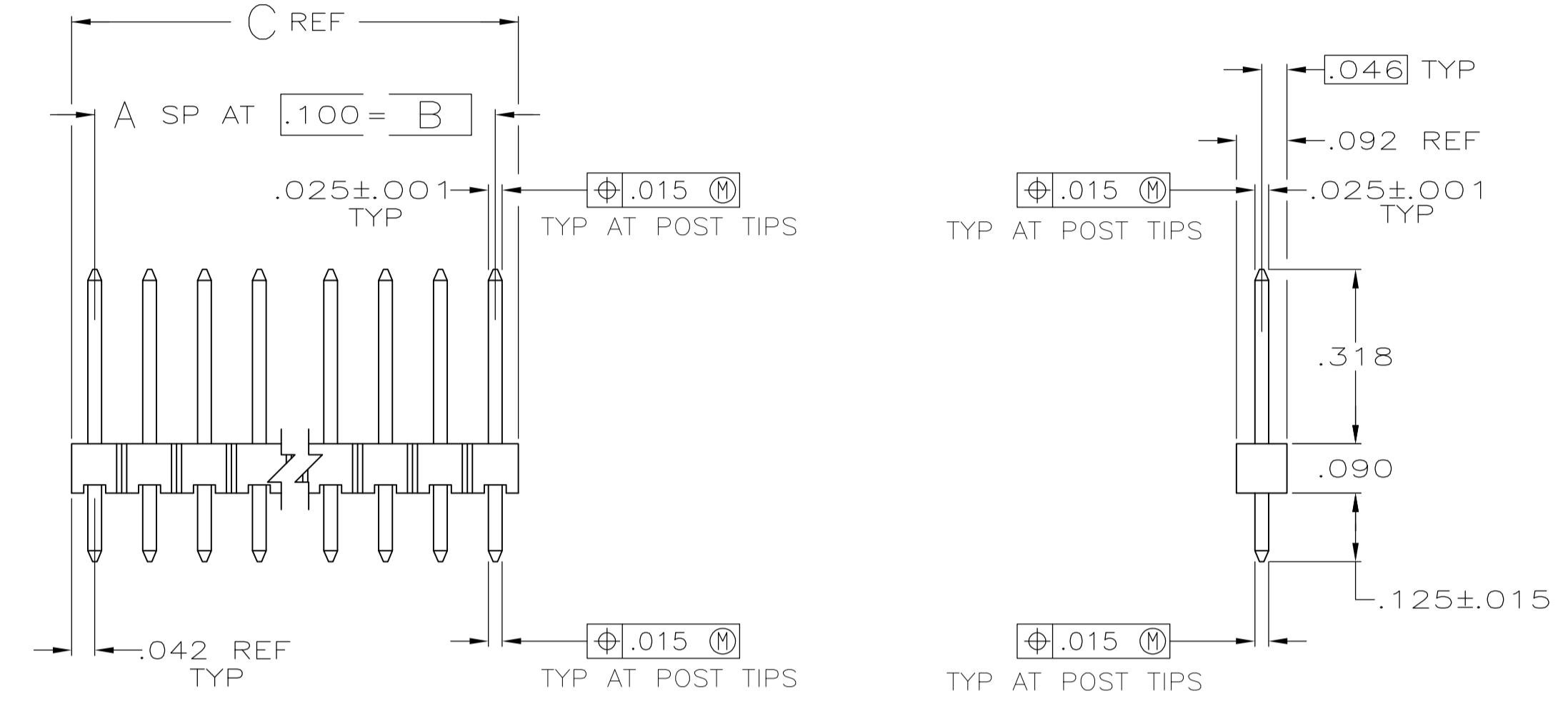
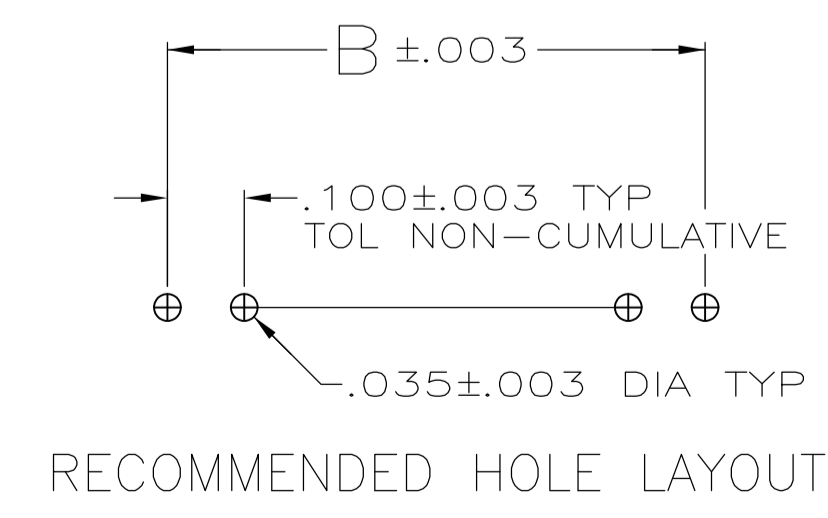


THIS DRAWING IS UNPUBLISHED. RELEASED FOR PUBLICATION  
 BY TYCO ELECTRONICS CORPORATION. ALL RIGHTS RESERVED.

REV	DATE	BY	CHKD	APPROV
P1	15APR04	RB	JG	
P1	6JAN10	KK	AEG	



- TRUE POSITION TOLERANCE OF THE POST TIPS APPLIES WHEN THE HEADERS ARE HELD FLAT AGAINST THE PRINTED CIRCUIT BOARD
  - ASSEMBLY MAY BE BROKEN TO THE DESIRED NUMBER OF POSITIONS
- ③ PACKAGE IN SINGLE TUBES
  - ④ .000100-.000200 MATTE TIN-LEAD OVER .000050 NICKEL.
  - ⑤ .000100-.000200 BRIGHT TIN OVER .000050 NICKEL.
  - ⑥ PRELIMINARY PART - NOT RELEASED FOR PRODUCTION.
  - ⑦ HOUSING MATERIAL: FLAME RETARDANT THERMOPLASTIC; COLOR-BLACK.
  - ⑧ OBSOLETE PARTS: OBSOLETE CIS STREAMLINING PER D.RENAUD/D.SINISI



PLATING	REMARKS	C	B	A	NO OF POSN	PART NUMBER
OBSOLETE		.484	.400	4	5	5-103321-3
		1.384	1.300	13	14	5-103321-2
		1.184	1.100	11	12	5-103321-1
		1.084	1.000	10	11	5-103321-0
		.884	.800	8	9	4-103321-9
		3.984	3.900	39	40	4-103321-8
		1.584	1.500	15	16	4-103321-7
		.784	.700	7	8	4-103321-6
		.284	.200	2	3	4-103321-5
		.184	.100	1	2	4-103321-4
		.084	—	—	1	4-103321-3
	SUPERSEDED BY 1-103321-4	1.384	1.300	13	14	4-103321-2
	SUPERSEDED BY 103321-3	.284	.200	2	3	4-103321-1
		3.984	3.900	39	40	4-103321-0
		3.884	3.800	38	39	3-103321-9
		3.784	3.700	37	38	3-103321-8
		3.684	3.600	36	37	3-103321-7
		3.584	3.500	35	36	3-103321-6
		3.484	3.400	34	35	3-103321-5
		3.384	3.300	33	34	3-103321-4
		3.284	3.200	32	33	3-103321-3
		3.184	3.100	31	32	3-103321-2
		3.084	3.000	30	31	3-103321-1
		2.984	2.900	29	30	3-103321-0
		2.884	2.800	28	29	2-103321-9
		2.784	2.700	27	28	2-103321-8
		2.684	2.600	26	27	2-103321-7
		2.584	2.500	25	26	2-103321-6
		2.484	2.400	24	25	2-103321-5
		2.384	2.300	23	24	2-103321-4
		2.284	2.200	22	23	2-103321-3
		2.184	2.100	21	22	2-103321-2
		2.084	2.000	20	21	2-103321-1
	SUPERSEDED BY 7-146274-0	1.984	1.900	19	20	2-103321-0
		1.884	1.800	18	19	1-103321-9
		1.784	1.700	17	18	1-103321-8
		1.684	1.600	16	17	1-103321-7
		1.584	1.500	15	16	1-103321-6
		1.484	1.400	14	15	1-103321-5
		1.384	1.300	13	14	1-103321-4
		1.284	1.200	12	13	1-103321-3
		1.184	1.100	11	12	1-103321-2
		1.084	1.000	10	11	1-103321-1
		.984	.900	9	10	1-103321-0
		.884	.800	8	9	103321-9
		.784	.700	7	8	103321-8
		.684	.600	6	7	103321-7
		.584	.500	5	6	103321-6
		.484	.400	4	5	103321-5
		.384	.300	3	4	103321-4
		.284	.200	2	3	103321-3
		.184	.100	1	2	103321-2
		.084	—	—	1	103321-1

THIS DRAWING IS A CONTROLLED DOCUMENT.

DIMENSIONS: INCHES	TOLERANCES UNLESS OTHERWISE SPECIFIED: 0 PLC ± - 1 PLC ± - 2 PLC ± - 3 PLC ± .005 4 PLC ± - ANGLES ± -	DIN J. MARTINELLI 15OCT92 C/K JOHN KNITTLE 23NOV92 A/P/B B. FLINCHBAUGH 23NOV92	tyco Electronics Tyco Electronics Corporation Harrisburg, PA 17105
MATERIAL PHOSPHOR BRONZE	FINISH SEE TABLE	SIZE A1	NAME ASSEMBLY, HEADER, BREAKAWAY, MOD II, SINGLE ROW, .100 C/L, VERTICAL, WITH .025 SQUARE POSTS
CUSTOMER DRAWING		SCALE 4:1	RESTRICTED TO SHEET 1 of 1 REV P1