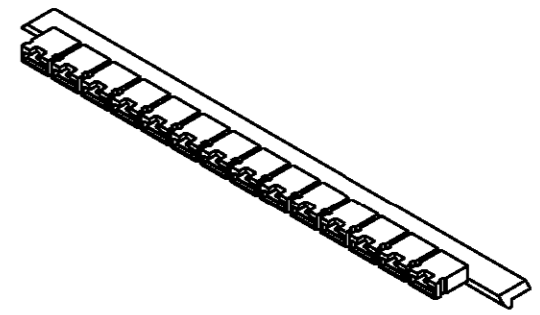
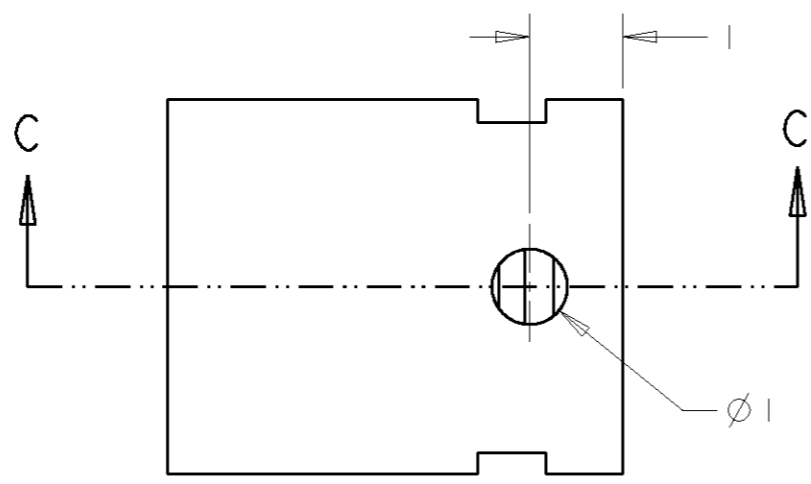
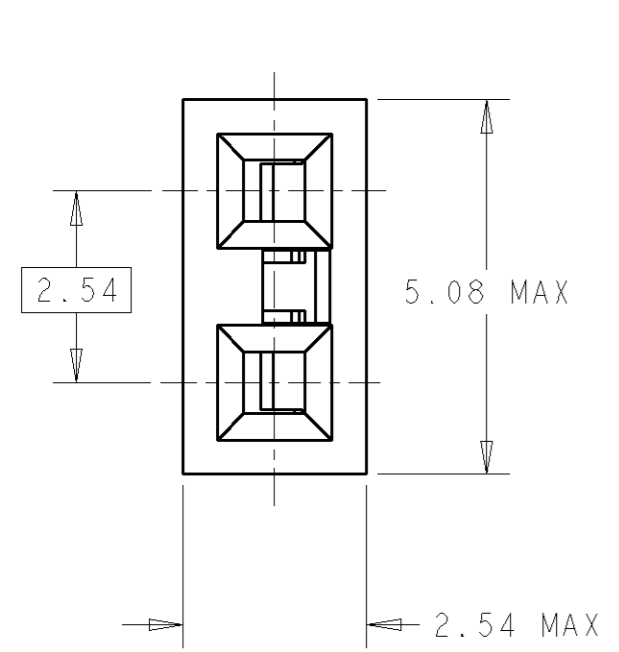
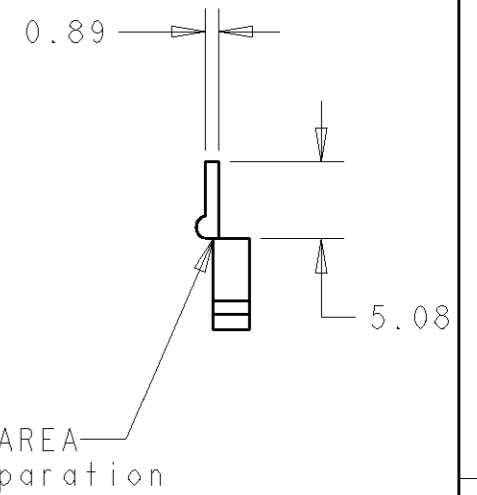
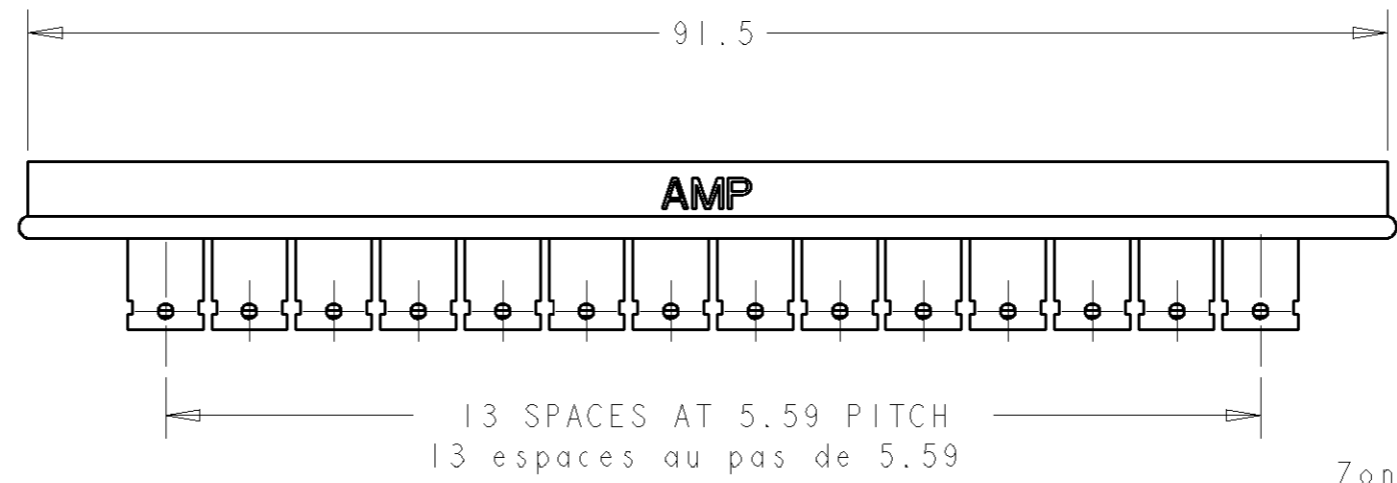
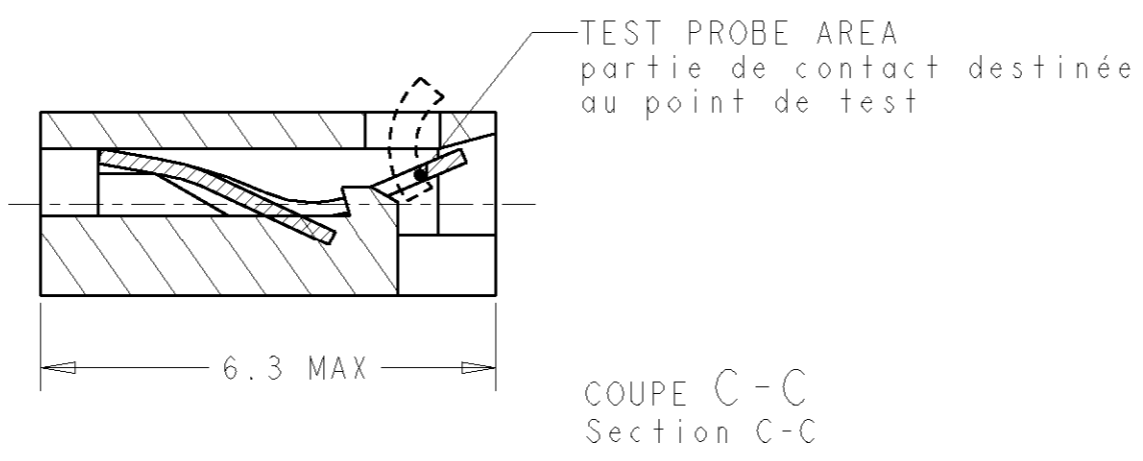


THIS DRAWING IS UNPUBLISHED.
 DIFFUSION RESTREINTE
 © COPYRIGHT - BY - ALL RIGHTS RESERVED.
 TOUS DROITS RESERVES

LOC F	DIST 00	REVISIONS			
P	LTR REV	DESCRIPTION MODIFICATIONS	DATE	DWN DESS.	APVD APP.
	D	RESIN CHANGED FROM PRE TO POST COLORED	20DEC2016	RP	PS



SCALE 1:1



BREAK AREA
Zone de séparation

NOTES :
 1- MATES WITH 0.62X0.62 PINS
 à utiliser avec bornes de 0.62X0.62mm
 2- MATERIAL:
 HOUSING : GLASS-FILLED PBT,
 PBT chargé verre UL 94V0
 CONTACT : BERYLLIUM COPPER -CuBe
 FINISH : SEE TABLE - voir table

GOLD PLATED doré, 1 micron	GREY gris	142270-7
GOLD PLATED, CONTACT AREA doré zone de contact, 1 micron	GREEN vert	142270-5
TIN PLATED, LEAD FREE étamé à 3 microns	BLACK noir	142270-3
GOLD PLATED, CONTACT AREA doré zone de contact 0.4 microns	GREEN vert	142270-1
CONTACT FINITION	HOUSING COLOR CODE	PART NUMBER SHUNT ASS'Y

DIMENSIONS: mm		TOLERANCES UNLESS OTHERWISE SPECIFIED: TOLERANCES NON SPECIFIEES: (SUIV NB DE DECIMALES): 0 PLC/DEC: ±0.3 1 PLC/DEC: ±0.3 2 PLC/DEC: ± 3 PLC/DEC: ± 4 PLC/DEC: ± ANGLES ±3		DWN/DESSINE 02DEC2003 JJ. DESPRETZ		TE Connectivity	
MATERIAL / MATIERE SEE NOTE		FINISH / FINITION CONTACT SEE TABLE		CHK/VERIFIE Y-PETRONIN		NAME TITRE SHUNT CONTACT ASS'Y PITCH 2.54 mm	
				APVD / APPROUVE Y-PETRONIN		SIZE FORMAT A3	
				PRODUCT SPEC SPEC. PRODUIT -		CAGE CODE 00779	
				APPLICATION SPEC SPEC. APPLICATION -		DRAWING NO No PLAN C=142270	
				WEIGHT MASSE APPROX. -		RESTRICTED TO RESERVE A -	
CUSTOMER DRAWING / PLAN CLIENT				UNIQUEMENT POUR REFERENCE		SCALE ECHELLE 0:1	
				SHEET FEUILLE		OF DE	
				REV D			

Mouser Electronics

Authorized Distributor

Click to View Pricing, Inventory, Delivery & Lifecycle Information:

[TE Connectivity:](#)

[142270-1](#)