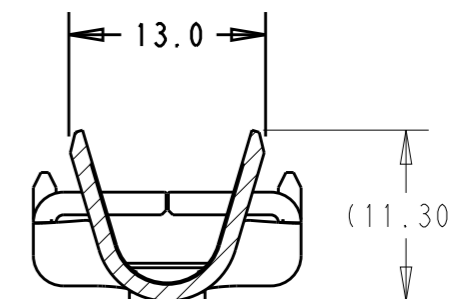
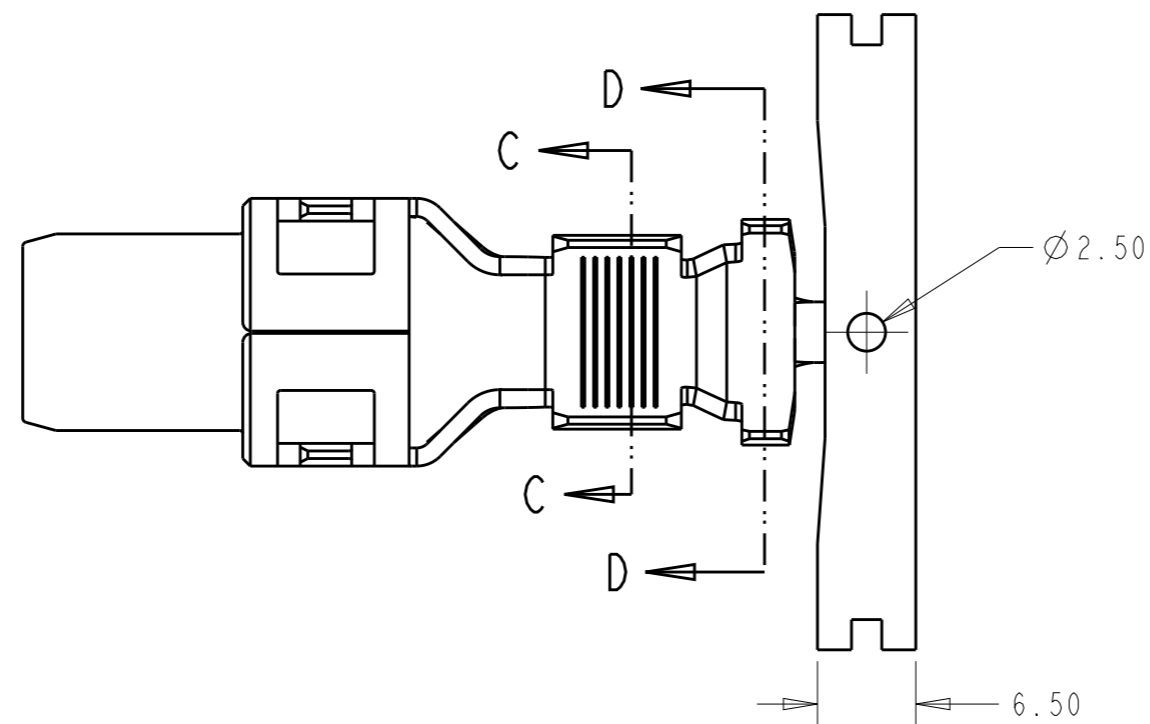
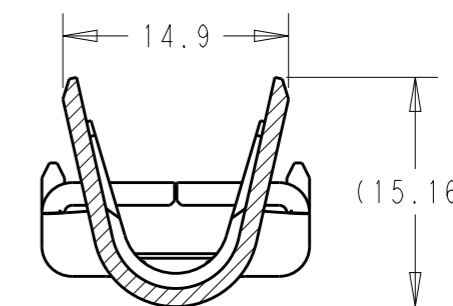


P	LTR	DESCRIPTION	DATE	DWN	APVD
	A	INITIAL	21JUN2020	A.W	R.B

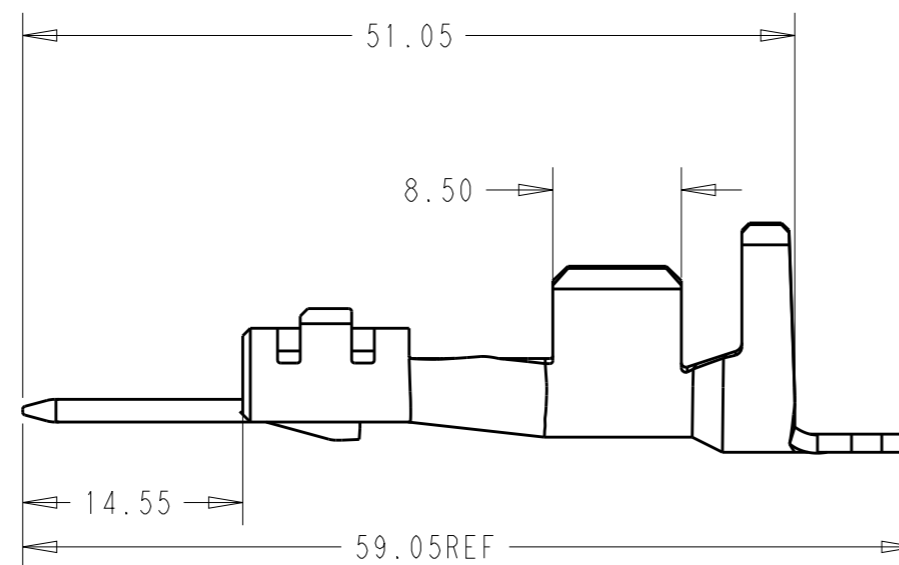
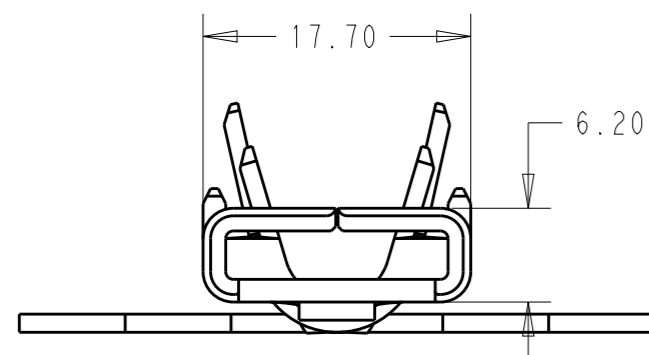
AS SHOWN: 2351982-5



SECTION C-C
SCALE 2:1



SECTION D-D
SCALE 2:1



NOTES

1. MATERIAL: COPPER ALLOY
2. FINISH: Ag PLATING OVER NICKEL PLATING
3. APPLICABLE WIRE RANGE: AHHEX 25SQ

THIS DRAWING IS A CONTROLLED DOCUMENT.		DWN ALVIN.W 26MAR2020	TE Connectivity	
DIMENSIONS: mm		CHK RICK.B 26MAR2020		
TOLERANCES UNLESS OTHERWISE SPECIFIED:		APVD RICK.B 26MAR2020	NAME TAB CONTACT DYNAMIC 8000	
0 PLC ± 1 PLC ±0.4 2 PLC ±0.3 3 PLC ± 4 PLC ± ANGLES ±		PRODUCT SPEC 108-140254	SIZE A3	
MATERIAL SEE NOTE		APPLICATION SPEC 114-78058	CAGE CODE 00779	DRAWING NO C-2351982
FINISH SEE NOTE		WEIGHT 16.2	RESTRICTED TO -	
		CUSTOMER DRAWING	SCALE 1:1	SHEET 1 OF 1
			REV A	