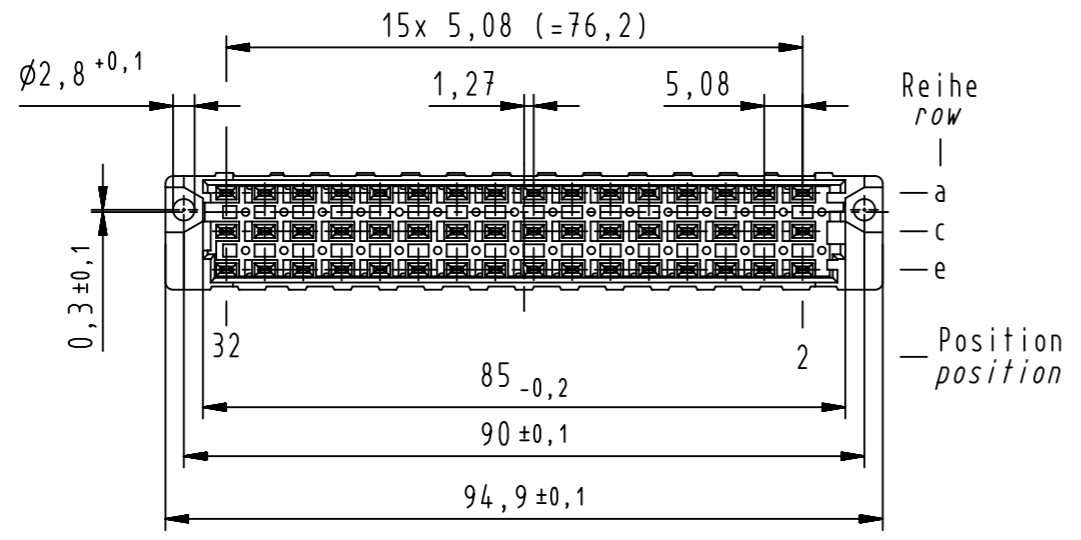
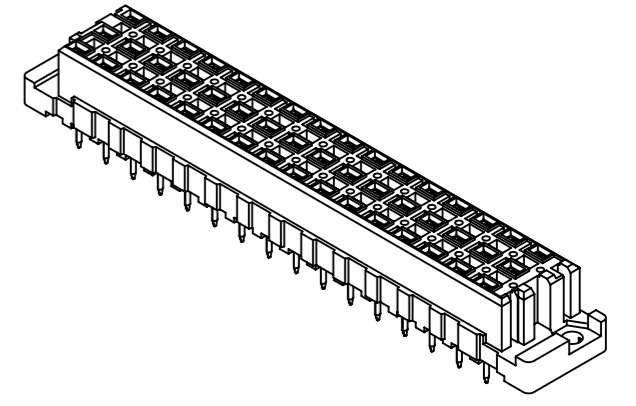
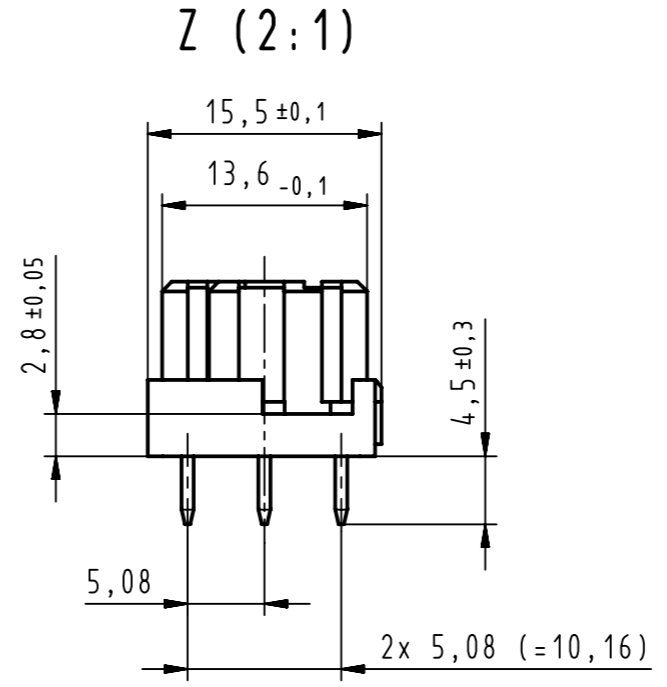
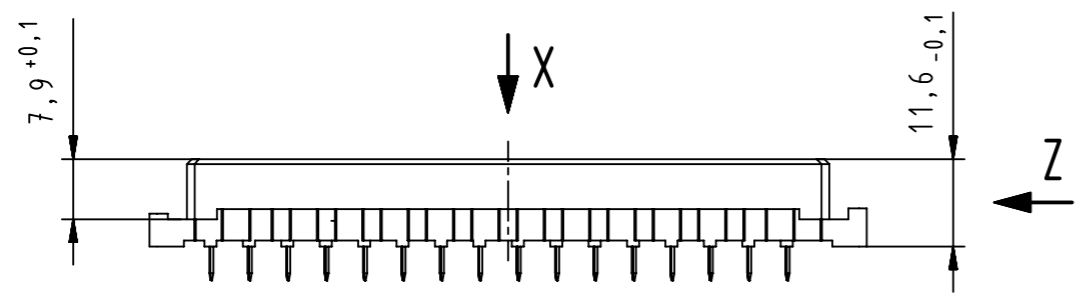


48 Einlötkontakte  
48 solder contacts

☒ = Kontaktposition belegt  
= position with contact

☐ = Kontaktposition nicht belegt  
= position without contact



① weitere Informationen siehe: DS 09 04 210 00 01  
further information see: DS 09 04 210 00 01

09 05 248 7831	3
09 05 248 6831	2
09 05 248 2831	1
Bestell-Nr. part-no.	Anforderungsstufe performance level ①

	All Dimensions in mm Original Size DIN A3	Scale 1:1	Free size tol. IEC 60603-2	Ref. Sub. TB 09 05 248 x831 Mod. 36466 13.12.11	
	All rights reserved Department EC PD - DE	Created by LEHNERT	Inspected by DAHMS	Standardisation KÖHLER	Date 2012-07-24
HARTING Electronics GmbH & Co. KG D-32339 Espelkamp	Title type E female solder 4.5 48-pole				Doc-Key / ECH-Nr. 100217574/UGD/007/B 50000053821
	Type TB	Number 0905248X831		Rev. B	Page 1/1