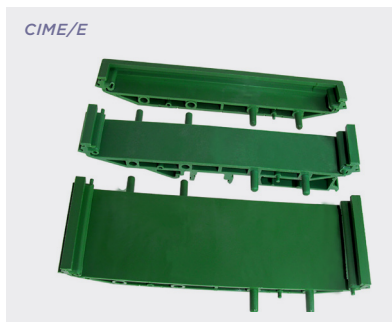


002  
PCB TERMINAL  
BLOCKS081  
TERMINAL STRIPS095  
WIRE TO BOARD  
CONNECTORS100  
CIRCULAR  
CONNECTORS151  
IP68 CONNECTORS158  
INTERFACE  
MODULES AND  
RELAY BASES

# Euro series 107mm empty modular interface support

## Product overview

- Suitable for 107mm width PCB's
- Modular construction for easy assembly
- Snap fit DIN Rail mounting fixtures
- Moulded in green UL 94-V0 flame retardant PA
- Terminal blocks available in same colour
- Integral marker facility
- Integral DIN Rail mounting clip



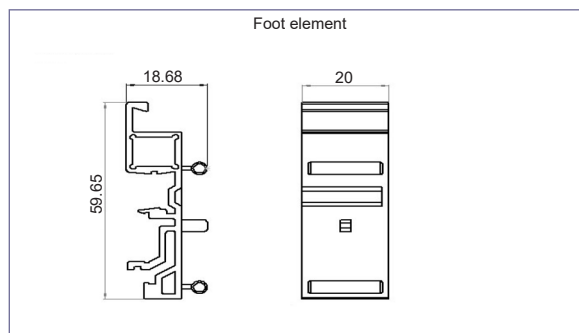
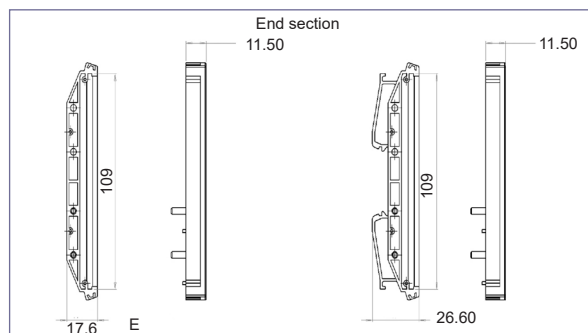
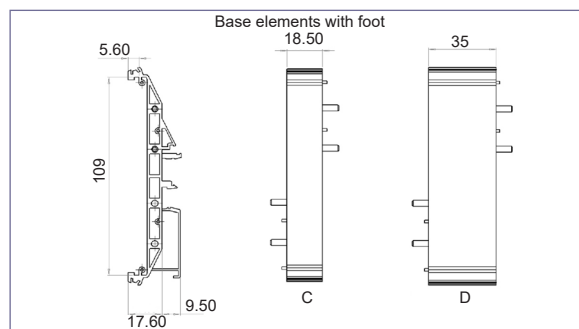
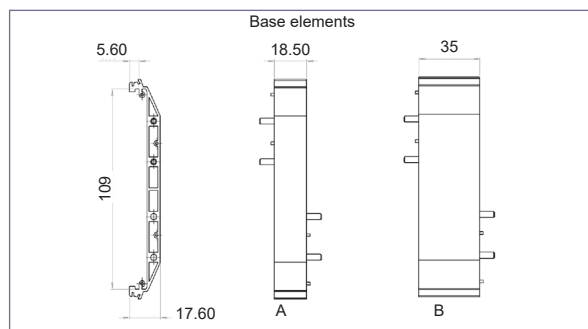
PART NO.	DESCRIPTION	WIDTH
CIME/E/BE1850S	Base element	18.5mm
CIME/E/BE3500S	Base element	35mm
CIME/E/BEF1850S	Base element with foot	18.5mm
CIME/E/BEF3500S	Base element with foot	35mm
CIME/E/SE1000S	End section	11.5mm
CIME/E/SEF1000S	End section with foot	11.5mm

PART NO.	DESCRIPTION
CIME/E/MPF	Flush
CIME/E/MPR	Raised

## Wall mount plates

- Flush and raised surface mounting plates
- Press into sides of end section without tool
- Use foot element on long lengths with raised plates

CIME/E/ TOTAL PCB LENGTH	END SECTION SE1000S 11.5MM	BASE ELEMENTS BE1850S 18.5MM	BE1850S 35MM	PART COUNT
20mm	2			2
38.5mm	2	1		3
55mm	2		1	3
73.5mm	2	1	1	4
90mm	2		2	4
108.5mm	2	1	2	5
125mm	2		3	5
143.5mm	2	1	3	6
160mm	2		4	6
178.5mm	2	1	4	7
195mm	2		5	7
213.5mm	2	1	5	8
230mm	2		6	8
248.5mm	2	1	6	9
265mm	2		7	9



CONNECT

170

+44 (0)1638 716101 | sales@camdenboss.com | www.camdenboss.com

We operate a constant improvement policy, our products are subject to change without notice.

Vers 1



FM 28614

ENG 01358