

**PLEASE CHECK WWW.MOLEX.COM FOR LATEST PART INFORMATION**

**Part Number:** [0475891001](#)  
**Status:** **Active**  
**Overview:** USB Products and Solutions  
**Description:** Micro-USB AB Receptacle, Bottom-Mount, Surface Mount, Matte Tin Plated Shell, Lead-Free

**Documents:**

[3D Model](#) [Packaging Specification PK-47589-001-001 \(PDF\)](#)  
[Drawing \(PDF\)](#) [RoHS Certificate of Compliance \(PDF\)](#)  
[Product Specification PS-47589-001-001 \(PDF\)](#)

**Agency Certification**

UL E107635

**General**

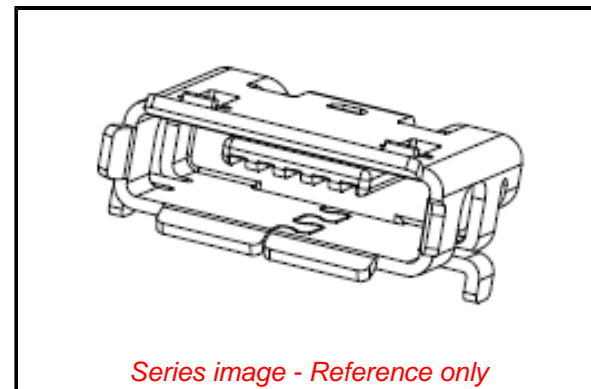
Product Family I/O Connectors  
 Series [47589](#)  
 Application Wire-to-Board  
 Comments Signal contacts 1.0A, Power contacts 1.8A  
 Component Type Receptacle  
 Overview [USB Products and Solutions](#)  
 Product Name USB 2.0  
 Type Micro-AB  
 UPC 884982783751

**Physical**

Boot Color N/A  
 Circuits (Loaded) 5  
 Circuits (maximum) 5  
 Color - Resin Gray  
 Durability (mating cycles max) 10000  
 Flammability 94V-0  
 Gender Receptacle  
 Keying to Mating Part Yes  
 Lock to Mating Part No  
 Material - Metal Copper Alloy  
 Material - Plating Mating Gold  
 Material - Plating Termination Gold  
 Material - Resin High Temperature Thermoplastic  
 Net Weight 0.263/g  
 Number of Rows 1  
 Orientation Right Angle  
 PCB Retention None  
 Packaging Type Embossed Tape on Reel  
 Panel Mount No  
 Pitch - Mating Interface 0.65mm  
 Pitch - Termination Interface 0.65mm  
 Polarized to Mating Part Yes  
 Ports 1  
 Surface Mount Compatible (SMC) Yes  
 Temperature Range - Operating -30° to +85°C  
 Termination Interface: Style Surface Mount  
 Waterproof / Dustproof No

**Electrical**

Current - Maximum per Contact 1.8A, 1.0A  
 Grounding to Panel Yes



*Series image - Reference only*

**EU ELV**

**Not Relevant**

**EU RoHS**

**Compliant**

**REACH SVHC**

Not Contained Per -  
 ED/61/2018 (27 June  
 2018)

**Halogen-Free**

**Status**

**Low-Halogen**

For more information, please visit [Contact US](#)

China ROHS

ELV

RoHS Phthalates

**China RoHS**

Green Image

Not Relevant

Not Contained

**Search Parts in this Series**

[47589 Series](#)

Shield Type	Full Shield
Shielded	Yes
Voltage - Maximum	30V AC (RMS)

**Solder Process Data**

Duration at Max. Process Temperature (seconds)	003
Lead-free Process Capability	REFLOW
Max. Cycles at Max. Process Temperature	001
Process Temperature max. C	245

**Material Info****Reference - Drawing Numbers**

Packaging Specification	PK-47589-001-001
Product Specification	PS-47589-001-001
Sales Drawing	SD-47589-101

This document was generated on 09/28/2018

**PLEASE CHECK [WWW.MOLEX.COM](http://WWW.MOLEX.COM) FOR LATEST PART INFORMATION**