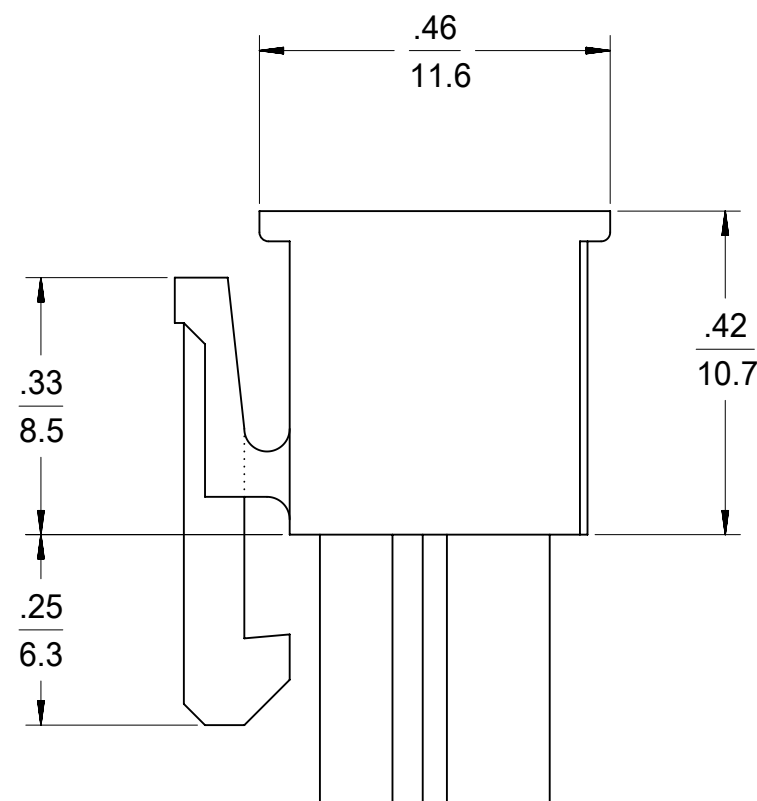
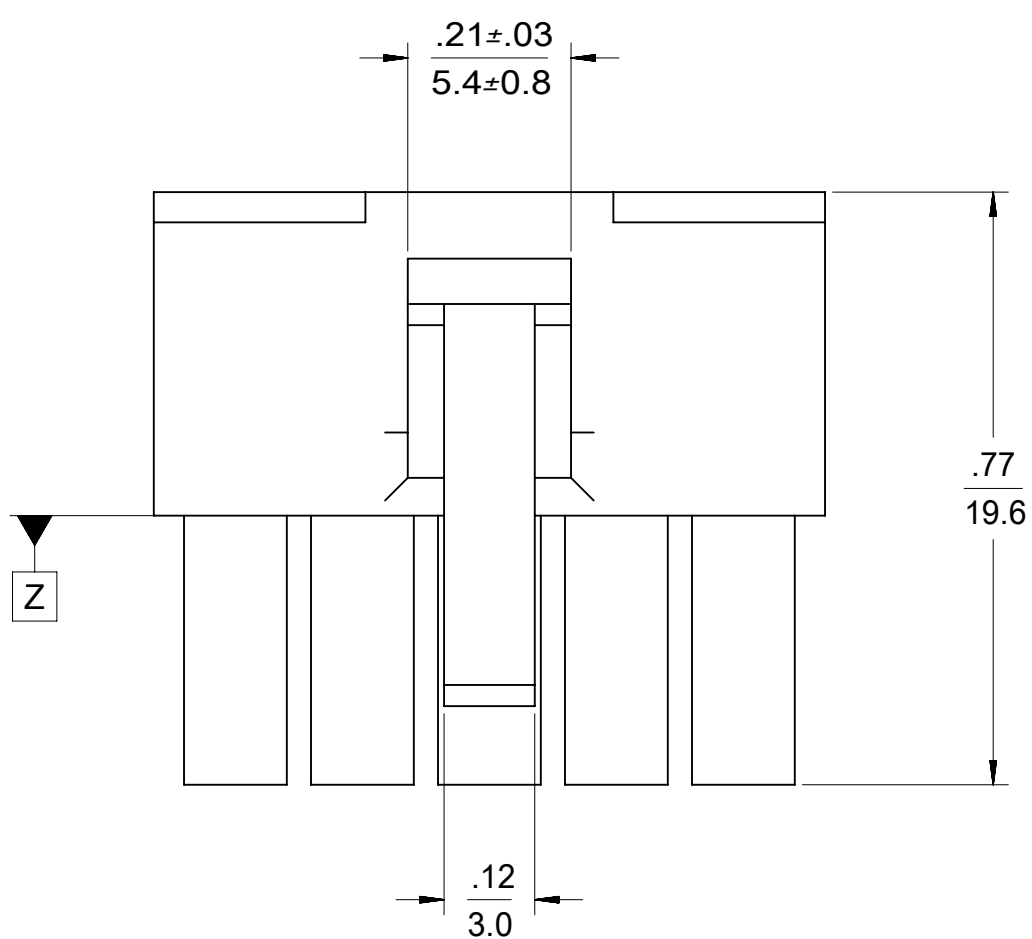
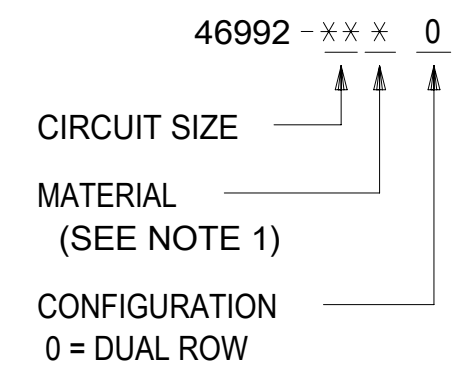


4 CKT SHOWN

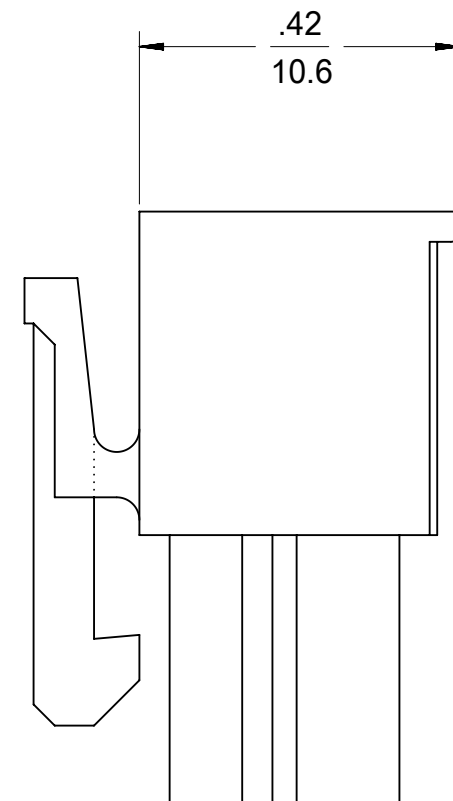
NOTES:

- 1) MATERIAL:  
 "0" = NYLON, UNFILLED UL94V-2, COLOR: NATURAL (BEIGE), IEC 60335-1, 5th EDITION  
 GLOW WIRE CAPABLE.  
 "1" = NYLON, UNFILLED UL94V-2, COLOR: BLACK, IEC 60335-1, 5th EDITION  
 GLOW WIRE CAPABLE.
- 2) FINISH: NOT APPLICABLE
- 3) PRODUCT SPECIFICATION: PS-5556-001
- 4) PACKAGING: BULK
- 5) PART MATES WITH MOLEX PLUG #46993 AND HEADERS #172447, #172448.
- 6) PART TO BE USED WITH MOLEX FEMALE TERMINAL #5556.
- 7) PART IS NOT DESIGNED FOR CURRENT SHARING.
- 8) CONNECTORS ARE NOT TO BE MATED OR UNMATED WHILE CIRCUITS ARE LIVE.
- 9) WIRES ARE TO BE DRESSED IN SUCH A MANNER TO ALLOW THE TERMINALS TO FLOAT FREELY IN THE POCKET.
- 10) PART CONFORMS TO CLASS "B" REQUIREMENTS OF COSMETIC SPECIFICATION PS-45499-002 WITH THE EXCEPTION OF DISCOLORATION, FLASH AND SINK MEET CLASS "C" REQUIREMENTS.
- 11) TO BE MEASURED AT SURFACE Z
- 12) TEXT ON PART IS FOR REFERENCE ONLY. TEXT AND TEXT LOCATION MAY VARY DEPENDING ON PART NUMBER AND/OR TOOL.

LEGEND



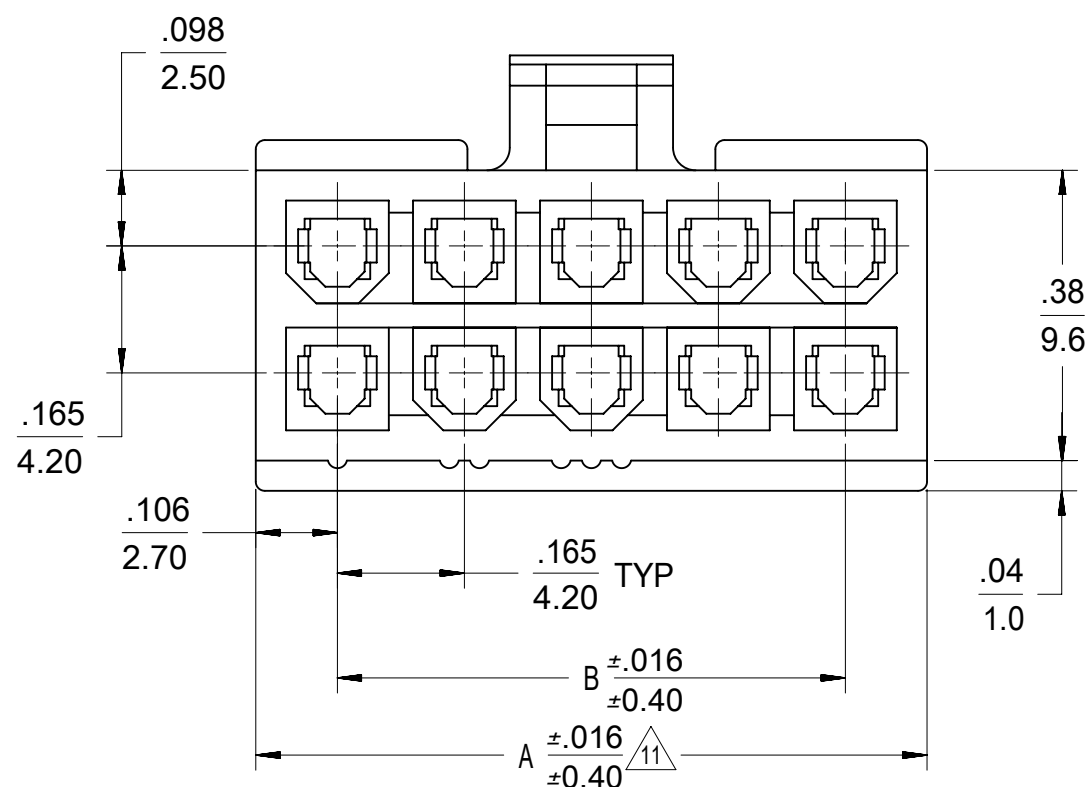
4-24 CKT



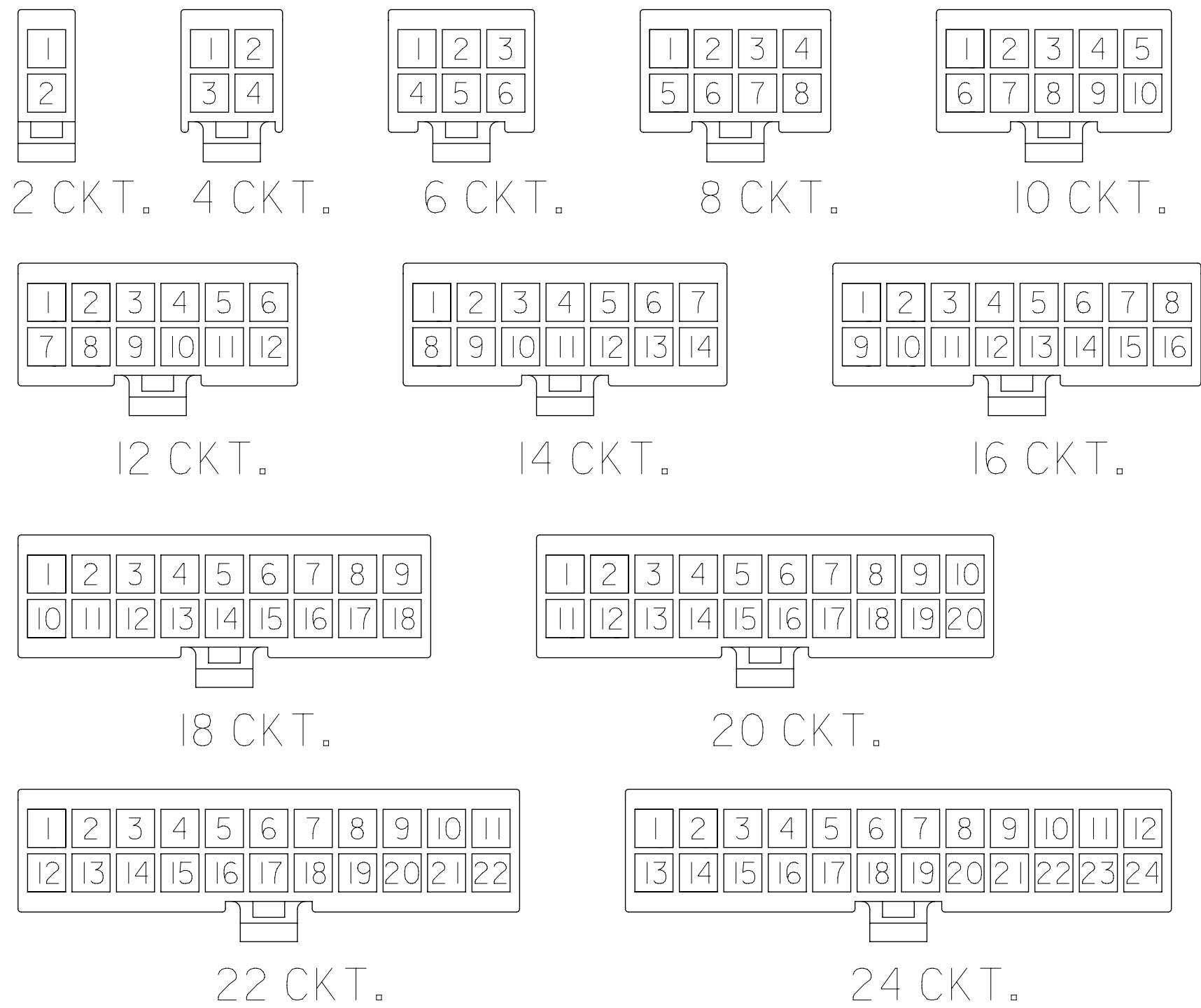
2 CKT ONLY

GLOW WIRE (BEIGE)		GLOW WIRE (BLACK)			
X	46992-2400		46992-2410	24	2.031/(51.60) 1.819/(46.20)
X	46999-2200	X	46999-2210	22	1.866/(47.40) 1.654/(42.00)
X	46992-2000	X	46992-2010	20	1.701/(43.20) 1.488/(37.80)
	46992-1800		46992-1810	18	1.535/(39.00) 1.323/(33.60)
	46992-1600		46992-1610	16	1.370/(34.80) 1.157/(29.40)
	46992-1400		46992-1410	14	1.205/(30.60) 0.992/(25.20)
	46992-1200		46992-1210	12	1.039/(26.40) 0.827/(21.00)
	46992-1000		46992-1010	10	0.874/(22.20) 0.661/(16.80)
	46992-0800		46992-0810	8	0.709/(18.00) 0.496/(12.60)
	46992-0600		46992-0610	6	0.543/(13.80) 0.331/(8.40)
	46992-0400		46992-0410	4	0.378/(9.60) 0.165/(4.20)
	46992-0200		46992-0210	2	0.213/(5.40) —+—
	EDP. NO.		EDP. NO.	NO. OF CKTS.	A B

X = NOT TOOLED



SYMBOLS	THIS DRAWING CONTAINS INFORMATION THAT IS PROPRIETARY TO MOLEX ELECTRONIC TECHNOLOGIES, LLC AND SHOULD NOT BE USED WITHOUT WRITTEN PERMISSION			
	DIMENSION UNITS	SCALE	CURRENT REV DESC: UPDATE TOL A, B	
∇ = 0	IN/MM	4:1		
∇ = 0	GENERAL TOLERANCES (UNLESS SPECIFIED)			
∇ = 0		MM	INCH	
S = 0	4 PLACES	±	±	EC NO: 173969 DRWN: ANESSER 2018/03/21 CHK'D: JBELL 2018/03/22 APPR: FSMITH 2018/03/27
∇ = 0	3 PLACES	±	± 0.01	
∇ = 0	2 PLACES	± 0.25	± 0.015	INITIAL REVISION: DRWN: NNGUYEN 2013/04/12 APPR: FSMITH 2014/05/16
∇ = 0	1 PLACE	± 0.38	±	
∇ = 0	0 PLACES	±	±	DRAFT WHERE APPLICABLE MUST REMAIN WITHIN DIMENSIONS
∇ = 0	ANGULAR TOL	± 3.0°		
∇ = 0	THIRD ANGLE PROJECTION		DRAWING	SERIES
			C-SIZE	46992
DOCUMENT STATUS		P1	RELEASE DATE	2018/03/27 22:20:23
DOCUMENT NUMBER		DOC TYPE		DOC PART
SD-46992-0000		PSD	000	A6
MATERIAL NUMBER		CUSTOMER		SHEET NUMBER
SEE CHART		GENERAL MARKET		1 OF 2



CIRCUIT SIZE LAYOUT  
(NOT TO SCALE)

SYMBOLS	THIS DRAWING CONTAINS INFORMATION THAT IS PROPRIETARY TO MOLEX ELECTRONIC TECHNOLOGIES, LLC AND SHOULD NOT BE USED WITHOUT WRITTEN PERMISSION									
	DIMENSION UNITS		SCALE		CURRENT REV DESC: UPDATE TOL A, B					
▽ = 0	IN/MM		1:1							
▽ = 0	GENERAL TOLERANCES (UNLESS SPECIFIED)									
▽ = 0			MM	INCH	EC NO: 173969 DRWN: ANESSER 2018/03/21 CHK'D: JBELL 2018/03/22 APPR: FSMITH 2018/03/27					
▽ = 0	4 PLACES ±		±		INITIAL REVISION: DRWN: NNGUYEN 2013/04/12 APPR: FSMITH 2014/05/16					
▽ = 0	3 PLACES ±		± 0.01							
▽ = 0	2 PLACES ±		± 0.25	± 0.015	PRODUCT CUSTOMER DRAWING DOCUMENT NUMBER: SD-46992-0000 DOC TYPE: PSD DOC PART: 000 REVISION: A6					
▽ = 0	1 PLACE ±		± 0.38	±						
▽ = 0	0 PLACES ±		±		MATERIAL NUMBER: SEE CHART		CUSTOMER: GENERAL MARKET		SHEET NUMBER: 2 OF 2	
▽ = 0	ANGULAR TOL ± 3.0 °				THIRD ANGLE PROJECTION		DRAWING: C-SIZE		SERIES: 46992	
▽ = 0	DRAFT WHERE APPLICABLE MUST REMAIN WITHIN DIMENSIONS									