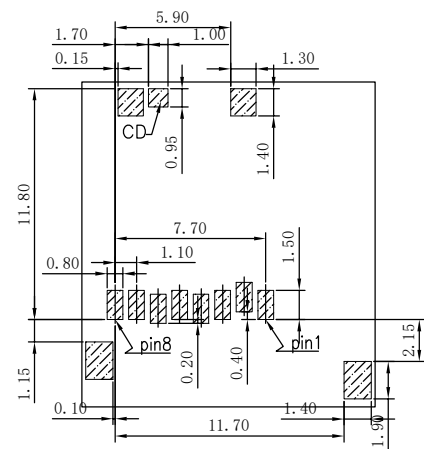
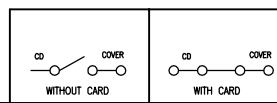
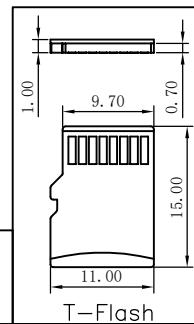
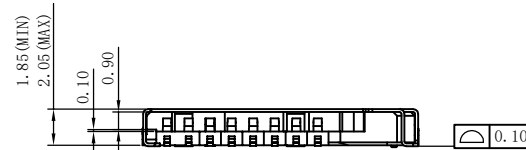


NOTES:

- MATERIAL:
  - HOUSING: HIGH TEMPERATURE THERMOPLASTIC UL94V\_0,COLOR:BLACK.
  - CONTACT: COPPER ALLOYS.
  - COVER: COPPER ALLOYS OR STEEL.
- PLATING:
  - UNDERPLATE: NICKEL.
  - CONTACT AREA: GOLD OVER NICKEL.
  - SOLDER AREA: TIN OVER NICKEL.
- MULTIMEDIA CARD COMPATIBLE



RECOMMENDED P.C.B HOLE LAYOUT  
COMPONENT SIDE VIEW (TOLERANCE: +/-0.05)



PIN NO.	NAME	YYPE	DESCRIPTION
1	DAT2	I/O/PP	DATE LINE(BIT2)
2	CD/DAT3	I/O/PP	CARD DETECT DATE LIN(BIT3)
3	CMD	PP	COMMAND RESPONSE
4	VDD	S	SUPPLY VOLTAGE
5	CLX	I	CLOCK
6	VSS	S	SUPPLY VOLTAGE GROUND
7	DAT0	I/O/PP	DATE LINE(BIT0)
8	DAT1	I/O/PP	DATE LINE(BIT1)



深圳市华宇创精密电子有限公司

<b>TOLERANCE:</b> XX ±0.30 XXX ±0.25 XXXX ±0.15 X° ±2°    XX° ±0.5° UNIT: mm [inch] SCALE:1:1    SIZE: A4	<b>DRAWN BY :</b> 陈一鸣	<b>DATE :</b> 2014-02-23	<b>PART NAME:</b> TF PUSH 内焊常开型
	<b>CHECKED BY:</b> 马跃	<b>DATE :</b> 2014-02-23	<b>PART NO.</b> HYCW13-TF09-205B
<b>APPROVED BY:</b> 邱敏	<b>DATE :</b> 2014-02-23	<b>DRAW NO.:</b> HYC-TF13090502	<b>SHEET NO.</b> 1 OF 2