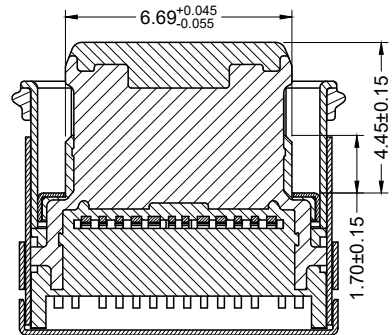
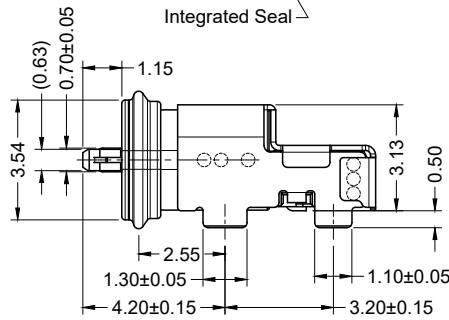
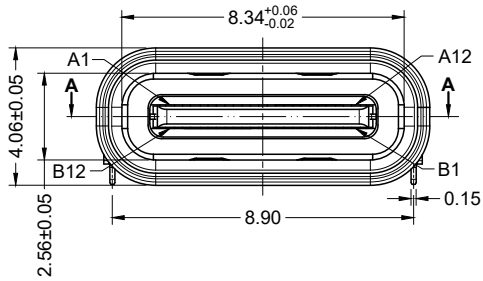
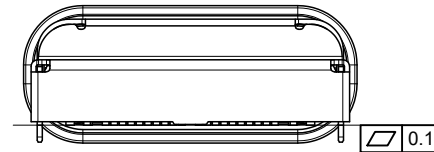


Recommended PCB Layout
(Tolerance: ±0.05)



SECTION A-A

Materials and Finish

Insulator: High Temp.
 UL94V-0 rated
 Color- Black
 Contact Material:
 Copper Alloy
 Contact plating:
 Standard: Gold Flash Plated on Contact Area and Solder Tails, All over Nickel Underplate
 30: 30u" Gold Plated on Contact Area, Gold Flash Plated on Solder Tails, All over Nickel Underplate
 Shield: Stainless Steel, Nickel plated
 Seal: Silicone Rubber

Electrical Characteristics

Rated Current: 5A Collectively for VBUS Pins (A1, A4, A9, A12), & for GND Pins (B1, B4, B9, B12), 1.25A For CC & SBU Pins, 0.25A For Other Signal Pins.
 Insulation Resistance: 100 Megohms Min.
 Contact Resistance: 40 milliohms Max.
 Dielectric Withstanding Voltage: 100V AC (RMS) For 1 Minute

Mechanical Characteristics

Durability: 10,000 Mating Cycles
 Insertion Force: 5N~20N
 Extraction Force : 6N~20N After Durability
 Operating Temperature: -25°C to +85°C
 IP Rating: IP67
 Seal: Integrated With Shield

Pin	Signal Name	Mate Seq.	Pin	Signal Name	Mate Seq.
A1	GND	First	B12	GND	First
A2	SSTXp1	Last	B11	SSRXp1	Last
A3	SSTXn1	Last	B10	SSRXn1	Last
A4	VBUS	First	B9	VBUS	First
A5	CC1	Last	B8	SBU2	Last
A6	Dp1	Last	B7	Dn2	Last
A7	Dn1	Last	B6	Dp2	Last
A8	SBU1	Last	B5	CC2	Last
A9	VBUS	First	B4	VBUS	First
A10	SSRXn2	Last	B3	SSTXn2	Last
A11	SSRXp2	Last	B2	SSTXp2	Last
A12	GND	First	B1	GND	First

Part Number	Contact Plating
KUSB67X-SMT-CS-BTR	Gold Flash
KUSB67X-SMT-CS-B30TR	30u" Gold

RoHS COMPLIANT

Tolerances
X.X ± 0.25
X.XX ± 0.20
Unless Stated Otherwise

PRELIMINARY
 PART IN DESIGN
 SPECIFICATION SUBJECT TO CHANGE

REV.	DATE	DESCRIPTION	REV. BY	CHK. BY	DRAWN BY	DATE
A0	02/01/23	New Drawing	C. Kelleher	C. Furumasu	C. Kelleher	02/01/23
A0.1	02/06/23	IP Rating & Seal Notes	C. Kelleher	C. Furumasu		

KUSB67X-SMT-CS-BTR

IP67 USB Type C Socket, 2-Row SMT,
 Right Angle, Gold Contacts, Black, T/R

