

**Product number CA11998\_LEDIL-SS-WAS**

Family	Emily	FWHM	Asymmetric degrees
Type	Assembly	Efficiency	94 %
LED	XM-L	cd/lm	9.800
Color	Clear	Gerber File	Available
Diameter	26 mm		
Height	14.83 mm		
Style	Round		
Optic Material	PMMA		
Holder Material	-		
Fastening	["tape", "pin"]		
Status	Production ready		

**Product number CA12062\_LEDIL-D**

Family	Emily	FWHM	14 degrees
Type	Assembly	Efficiency	90 %
LED	XM-L	cd/lm	10.100
Color	Clear	Gerber File	Available
Diameter	26 mm		
Height	14.74 mm		
Style	Round		
Optic Material	PMMA		
Holder Material	-		
Fastening	["tape", "pin"]		
Status	Production ready		

**Product number CA12064\_LEDIL-M**

Family	Emily	FWHM	18 degrees
Type	Assembly	Efficiency	93 %
LED	XM-L	cd/lm	-
Color	Clear	Gerber File	Available
Diameter	26 mm		
Height	14.85 mm		
Style	Round		
Optic Material	PMMA		
Holder Material	-		
Fastening	["tape", "pin"]		
Status	Production ready		

**Product number CA12070\_LEDIL-M2**

Family	Emily	FWHM	28 degrees
Type	Assembly	Efficiency	92 %
LED	XM-L	cd/lm	-
Color	Clear	Gerber File	Available
Diameter	26 mm		
Height	14.88 mm		
Style	Round		
Optic Material	PMMA		
Holder Material	-		
Fastening	["tape", "pin"]		
Status	Production ready		

**Product number CA11934\_EMILY-W**

Family	Emily	FWHM	36 degrees
Type	Assembly	Efficiency	86 %
LED	XM-L	cd/lm	-
Color	Clear	Gerber File	Available
Diameter	26 mm		
Height	14.74 mm		
Style	Round		
Optic Material	PMMA		
Holder Material	-		
Fastening	["tape", "pin"]		
Status	Production ready		

**Product number CA12066\_EMILY-O**

Family	Emily	FWHM	47+13 degrees
Type	Assembly	Efficiency	90 %
LED	XM-L	cd/lm	-
Color	Clear	Gerber File	Available
Diameter	26 mm		
Height	14.96 mm		
Style	Round		
Optic Material	PMMA		
Holder Material	-		
Fastening	["pin", "tape"]		
Status	Production ready		

**Product number CA12068\_EMILY-O-90**

Family	Emily	FWHM	47+13 degrees
Type	Assembly	Efficiency	90 %
LED	XM-L	cd/lm	-
Color	Clear	Gerber File	Available
Diameter	26 mm		
Height	14.97 mm		
Style	Round		
Optic Material	PMMA		
Holder Material	-		
Fastening	["pin", "tape"]		
Status	Production ready		

**Product number CA13498\_EMILY-WWW**

Family	Emily	FWHM	70 degrees
Type	Assembly	Efficiency	90 %
LED	XM-L	cd/lm	0.700
Color	Clear	Gerber File	Available
Diameter	26 mm		
Height	13.43 mm		
Style	Round		
Optic Material	PMMA		
Holder Material	-		
Fastening	["tape"]		
Status	Production ready		



## PRODUCT DATASHEET

### Emily series

last update 9/6/2016

**NOTE: The typical divergence will be changed by different color, chip size and chip position tolerance. The typical total divergence is the full angle measured where the luminous intensity is half of the peak value.**



## PRODUCT DATASHEET

### Emily series

last update 9/6/2016

#### GENERAL INFORMATION

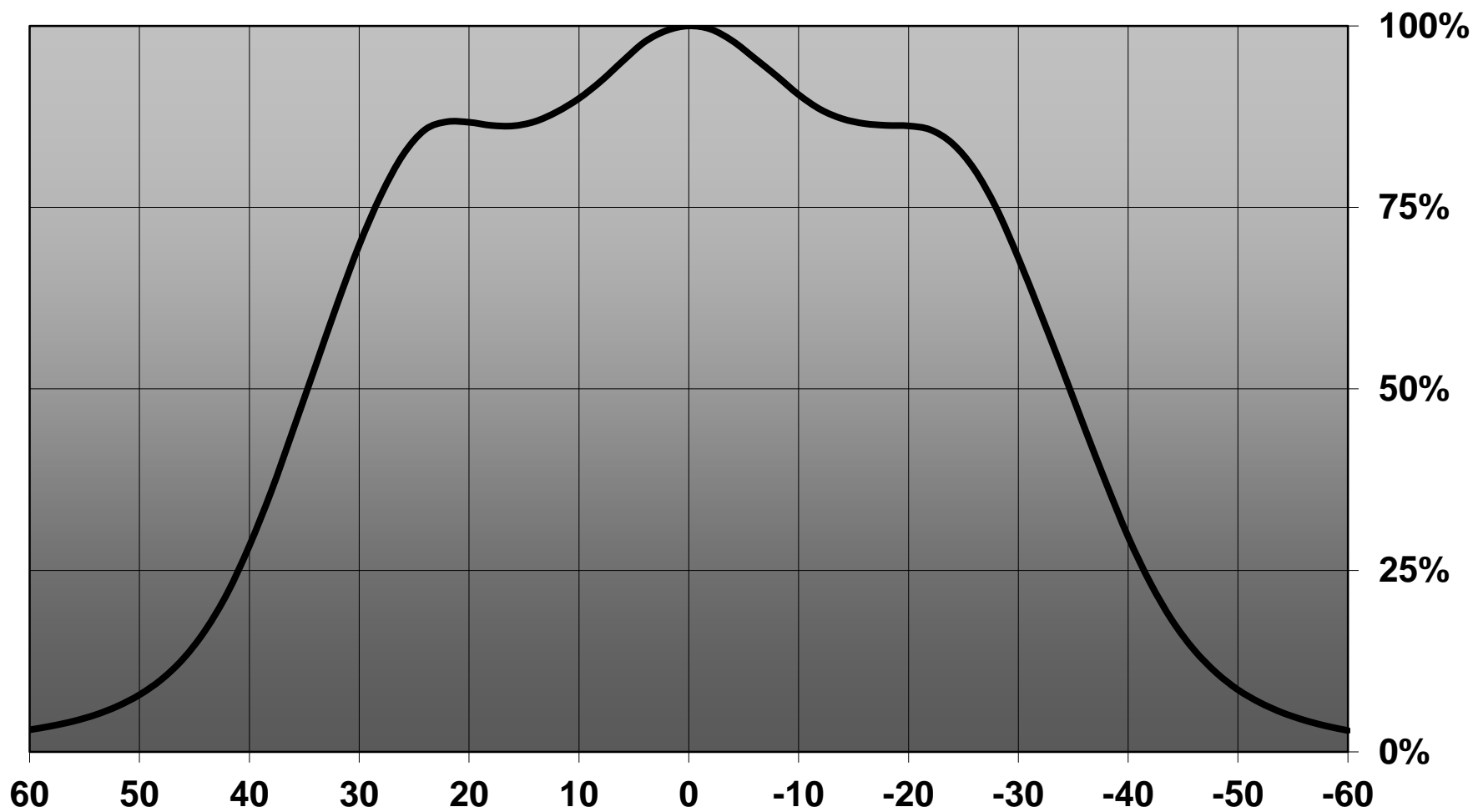
- Product series especially designed & optimized for XM-L series of LEDs.
- Special care taken to make light distribution as uniform as possible.
- Lens material optical grade PMMA with high UV and temperature resistance. Allows use of high current and temperature conditions.

Please find more information about used material from below:

[http://ledil.fi/sites/default/files/Documents/Technical/Material/PMMA%20N%20UL94\\_Yellow%20Card.pdf](http://ledil.fi/sites/default/files/Documents/Technical/Material/PMMA%20N%20UL94_Yellow%20Card.pdf)

<http://ledil.fi/sites/default/files/Documents/Technical/Material/PMMA%20N%20PLEXIGLAS-Datasheet.pdf>

Relative intensity of CA13498\_EMILY-WWW\_(XML)

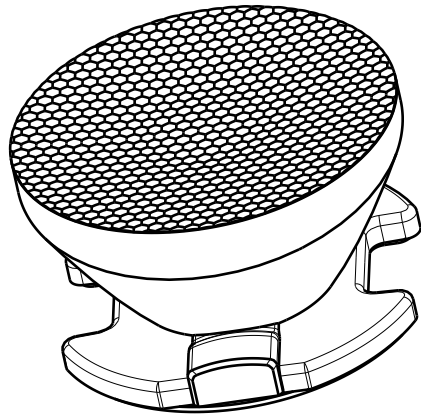


D

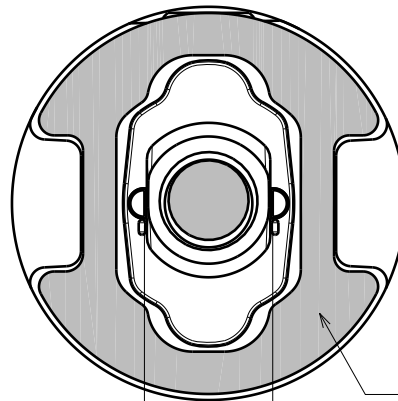
C

B

A



Isometric view

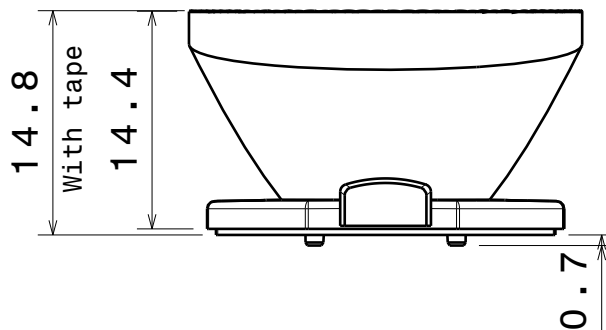


Bottom view

0.4mm tape

8.6

location pins

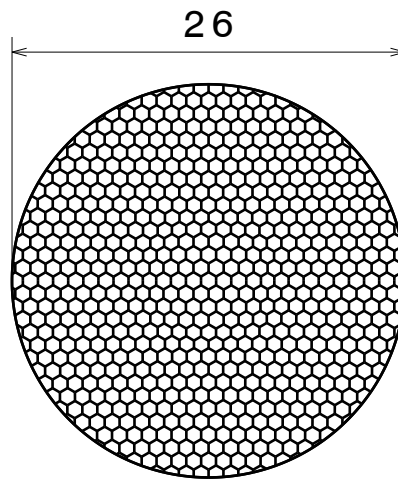


Front view

14.8  
With tape

14.4

0.7



Top view

26

Part No.s:  
 CA11998\_EMILY-SS-WAS  
 CA12000\_EMILY-O-WAS  
 CA12797\_EMILY-O-WAS  
 CA12799\_EMILY-SS-WAS

Material: PMMA

This drawing is our property.  
 It can't be reproduced  
 or communicated without  
 our written agreement.



L  
T  
F  
F

e  
e  
i  
i  
N  
n

d  
h

DRAWING TITLE

Datasheet Emily-was Assembly

DRAWN BY

m

DATE

01.03.2011

CHECKED BY

h

h

DATE

01.03.2011

DESIGNED BY

hh

DATE

25.01.2011

SIZE

A4

DRAWING NUMBER

SCALE

2:1

WEIGHT (g)

REV

1

SHEET

1/1

D

A

4

4

3

3

2

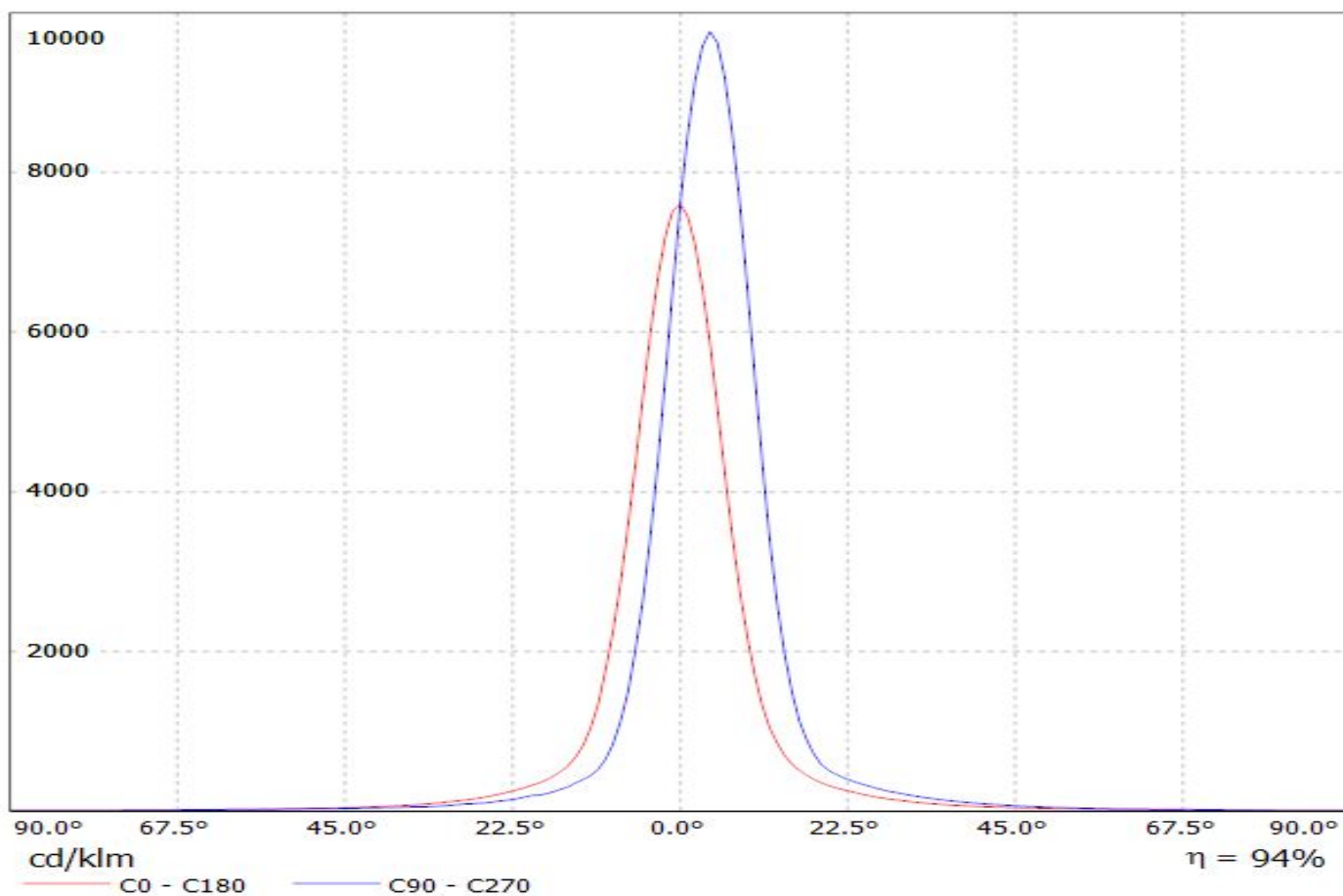
2

1

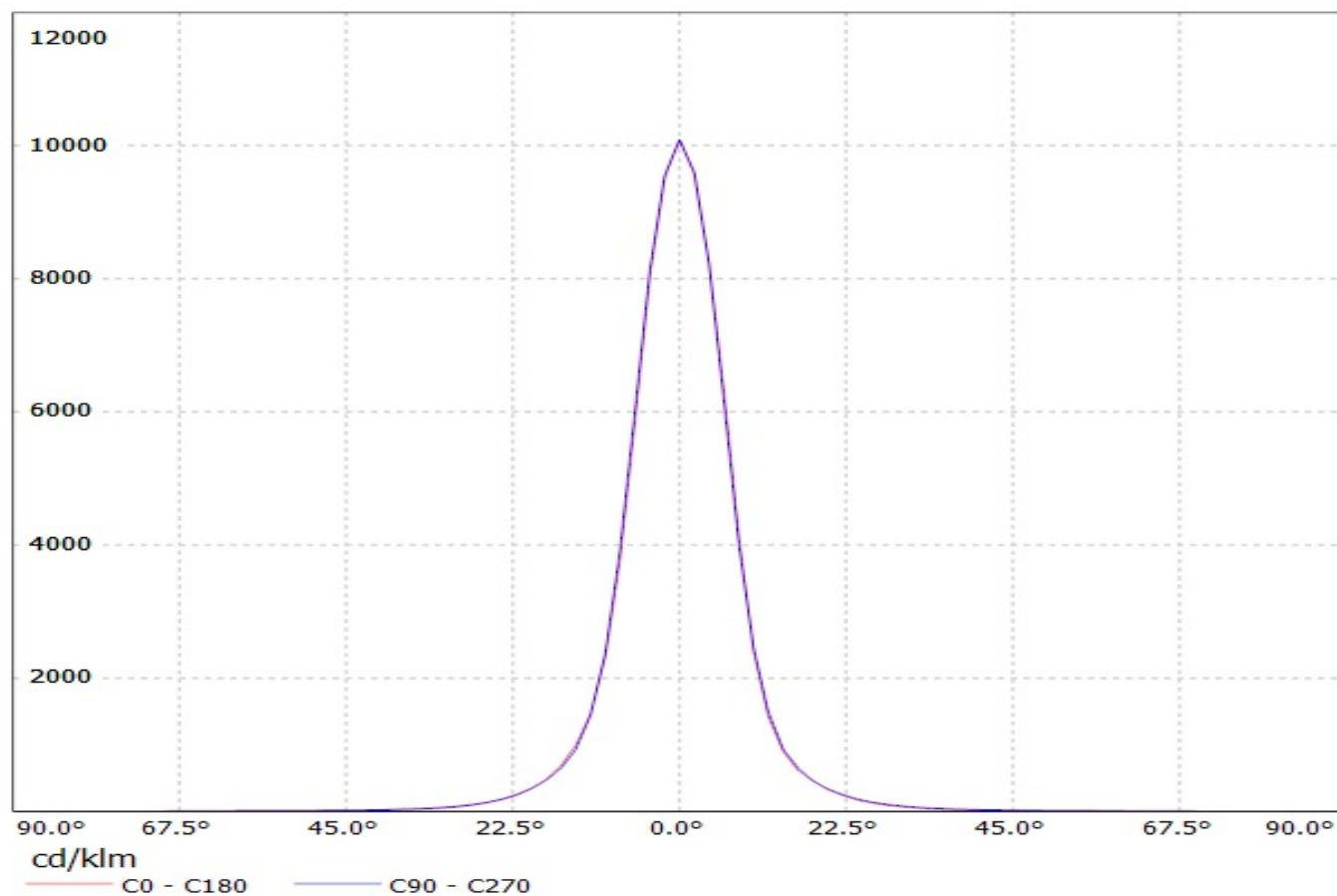
1

Luminaire: LEDiL Oy CA11998\_EMILY-SS-WAS\_(XM-L)

Lamps: 1 x Cree\_XM-L\_(XMLAWT-00-0000-0000T6051)\_98.9426lm@250mA\_P=0.71243W\_U=2.8530V

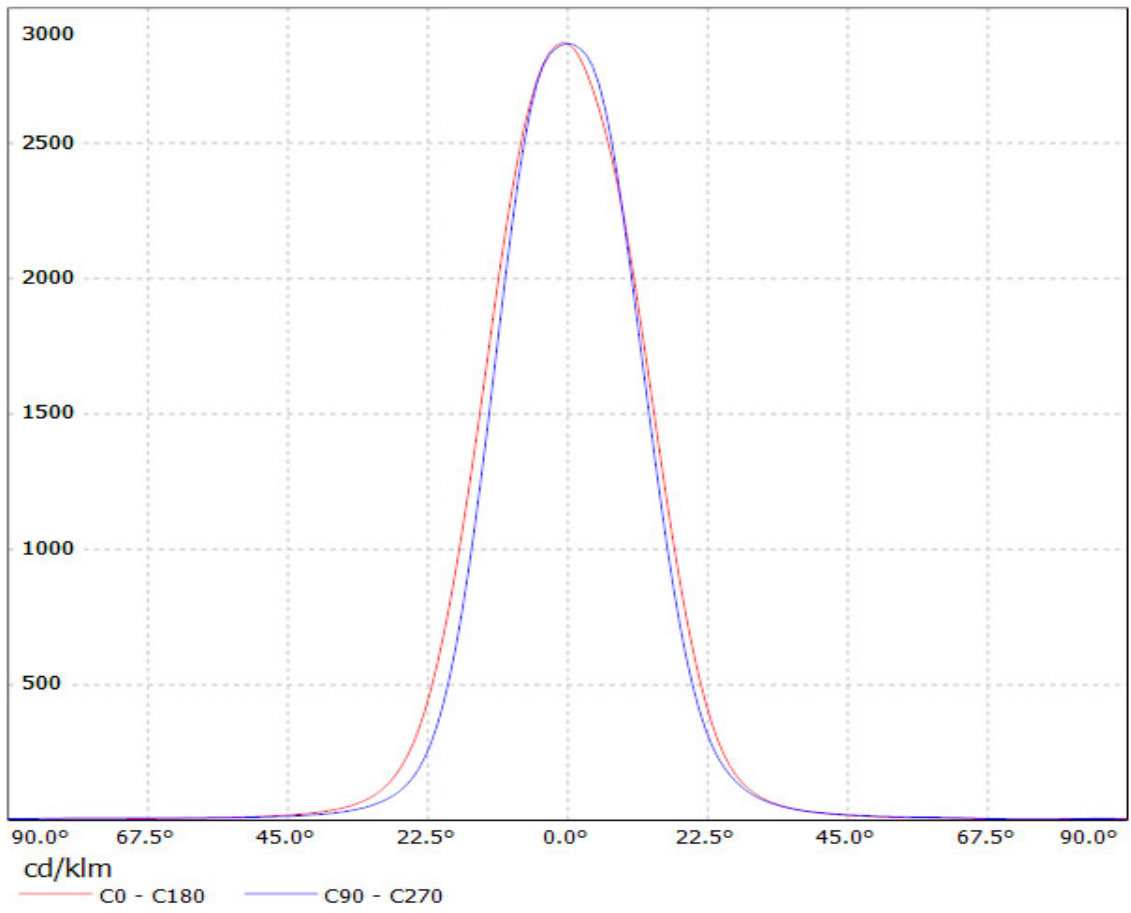


Luminaire: Ledil Oy CA12062\_EMILY-D (Cree XM-L 92lm @ 250mA) Efficiency=90%  
Lamps: 1 x Cree XM-L 92lm @ 250mA

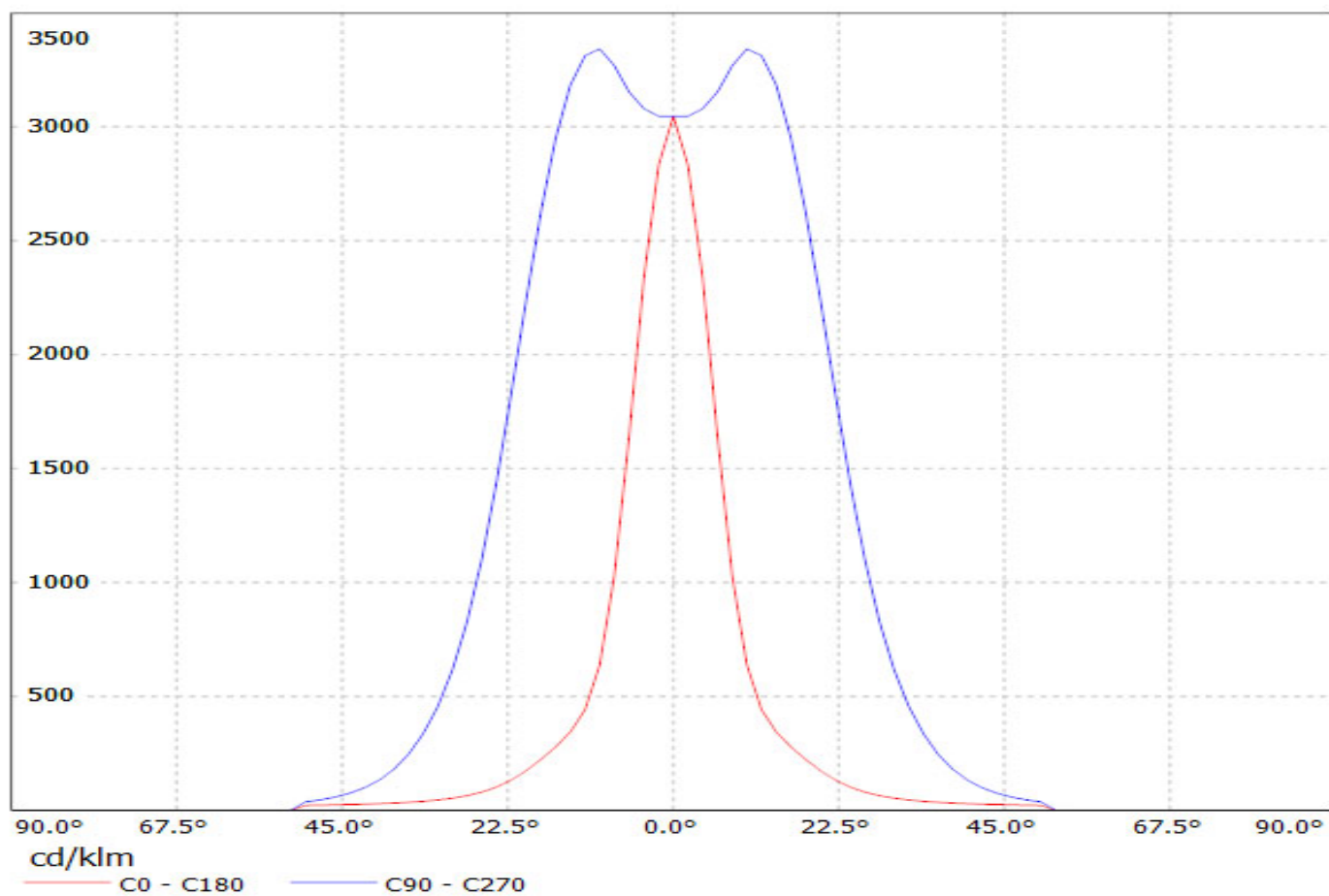




Luminaire: Ledil Oy CA12070\_Emily-M2-Tape-XM CA12070\_Emily-M2-Tape-XM Cree XM-L (white) 97lm @ 250 mA LOR=92%  
Lamps: 1 x Cree XM-L (white) 97lm @ 250 mA

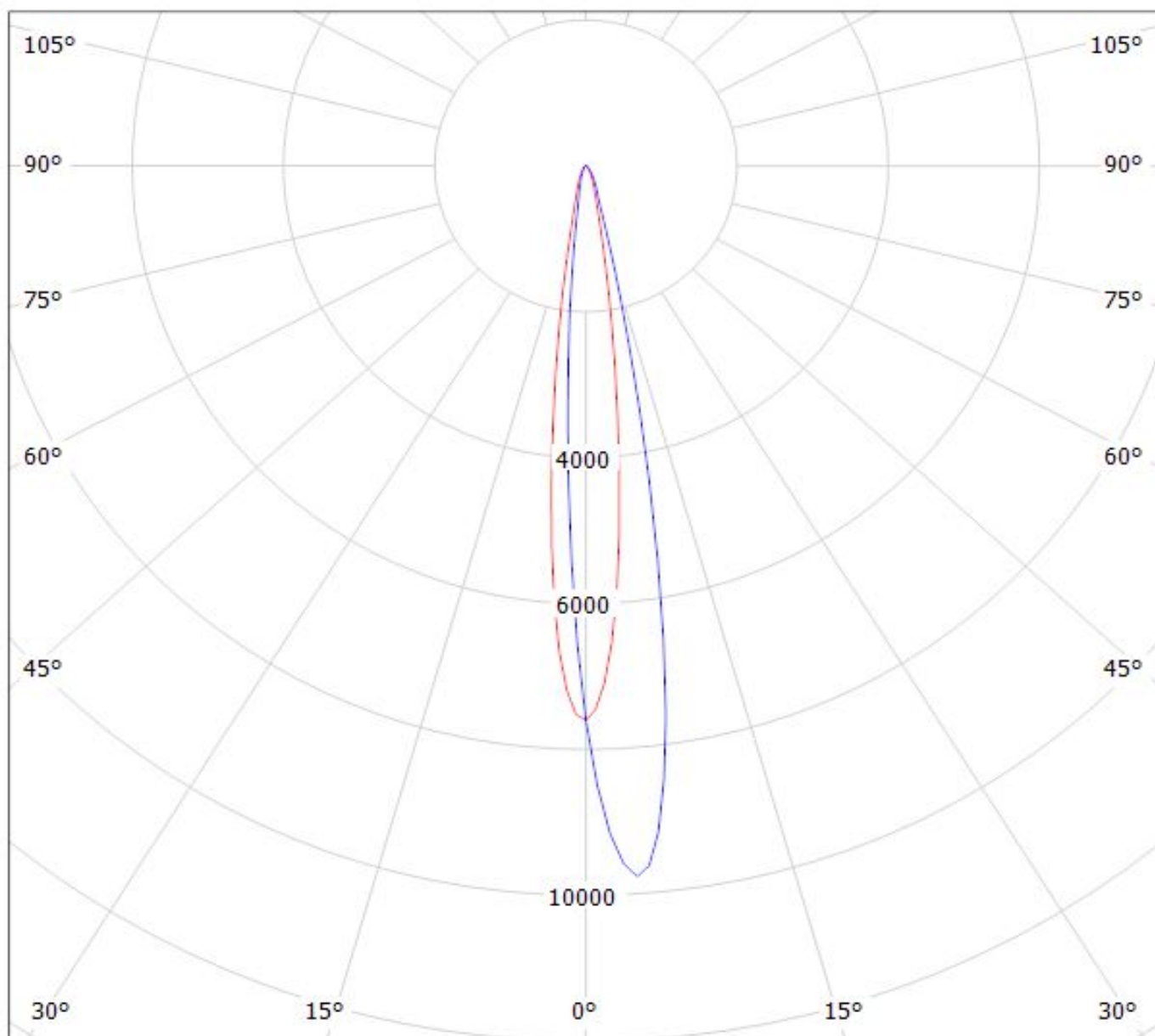


Luminaire: Ledil Oy CA12066\_Emily-O-Tape-XM CA12066\_Emily-O-Tape-XM  
Lamps: 1 x Cree XM-L



Luminaire: LEDiL Oy CA11998\_EMILY-SS-WAS\_(XM-L)

Lamps: 1 x Cree\_XM-L\_(XMLAWT-00-0000-0000T6051)\_98.9426lm@250mA\_P=0.71243W\_U=2.8530V

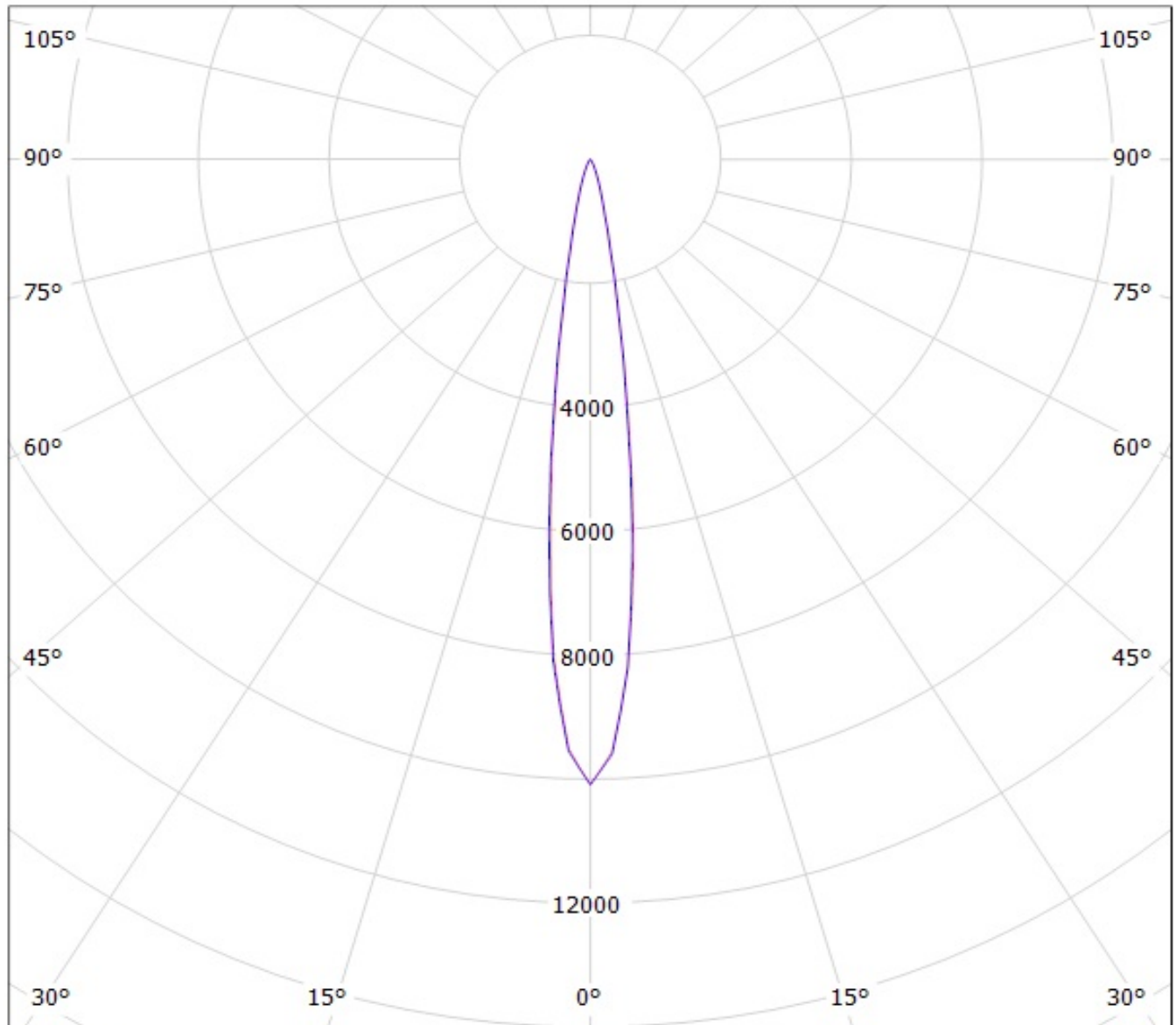


cd/klm

— C0 - C180    — C90 - C270

$\eta = 94\%$

Luminaire: Ledil Oy CA12062\_EMILY-D (Cree XM-L 92lm @ 250mA) Efficiency=90%  
Lamps: 1 x Cree XM-L 92lm @ 250mA

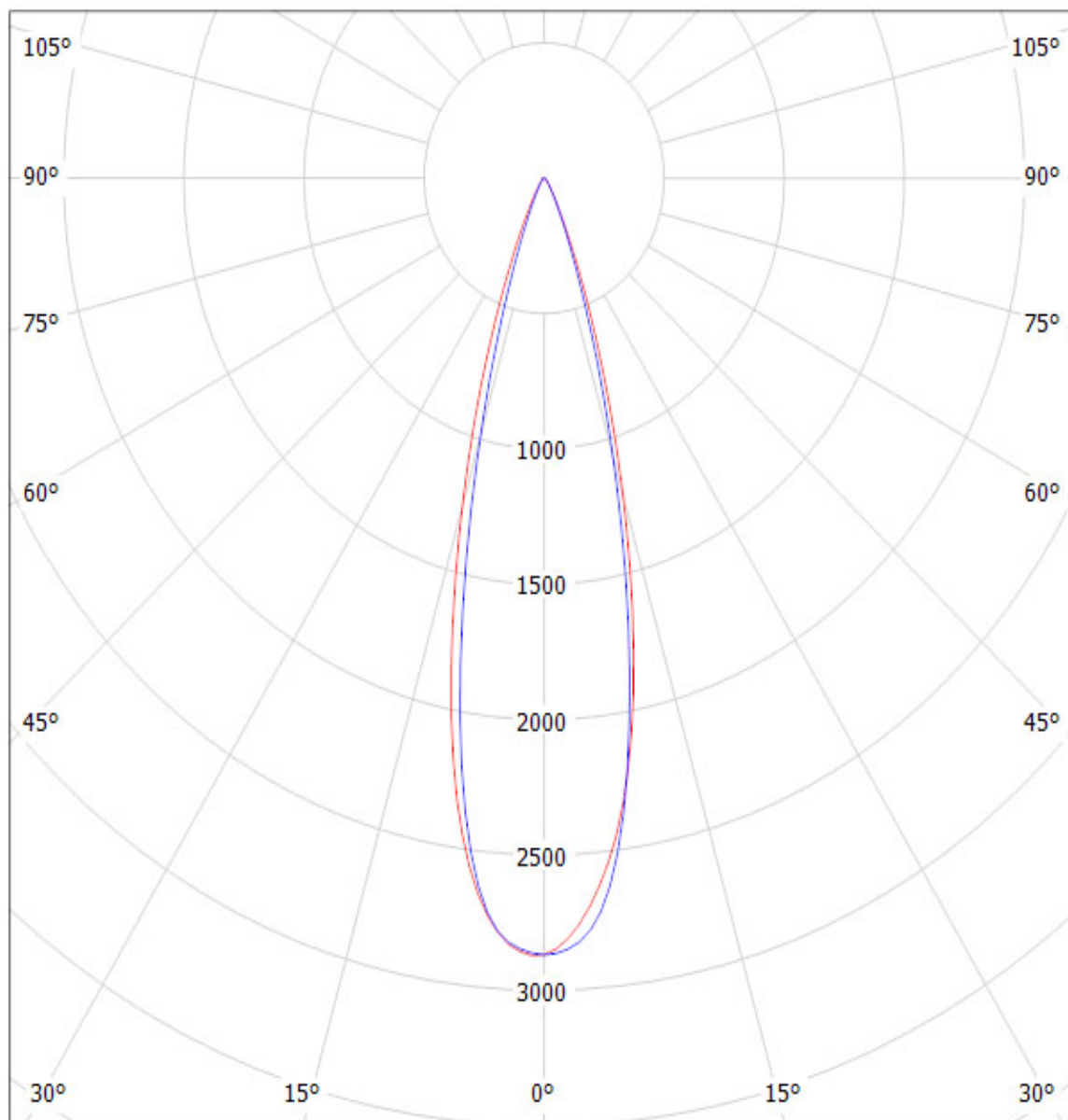


cd/klm

— C0 - C180

— C90 - C270

Luminaire: Ledil Oy CA12070\_Emily-M2-Tape-XM CA12070\_Emily-M2-Tape-XM Cree XM-L (white) 97lm @ 250 mA LOR=92%  
Lamps: 1 x Cree XM-L (white) 97lm @ 250 mA



cd/klm

— C0 - C180    — C90 - C270

Luminaire: Ledil Oy CA12066\_Emily-O-Tape-XM CA12066\_Emily-O-Tape-XM  
Lamps: 1 x Cree XM-L

