**Product number C12049_STRADA-FT**

| | |
|-----------------|--------------------------|
| Family | Strada-Forward |
| Type | Lens |
| LED | XP-E |
| Color | Clear |
| Diameter | 15.4 x 19.6 mm |
| Height | 8.2 mm |
| Style | Rectang |
| Optic Material | PMMA |
| Holder Material | - |
| Fastening | ["screw", "glue", "pin"] |
| Status | Production ready |

| | |
|-------------|--------------------|
| FWHM | Asymmetric degrees |
| Efficiency | 92 % |
| cd/lm | - |
| Gerber File | Available |

http://www.ledil.fi/Strada-F_Fully_Asymmetrical_Forward_Throw_Lens_Family

Product number CA12050_STRADA-FT

| | |
|-----------------|--------------------------|
| Family | Strada-Forward |
| Type | Assembly |
| LED | XP-E |
| Color | Clear |
| Diameter | 15.4 x 19.6 mm |
| Height | 8.35 mm |
| Style | Rectang |
| Optic Material | PMMA |
| Holder Material | - |
| Fastening | ["tape", "pin", "screw"] |
| Status | Production ready |

| | |
|-------------|--------------------|
| FWHM | Asymmetric degrees |
| Efficiency | 92 % |
| cd/lm | - |
| Gerber File | Available |

http://www.ledil.fi/Strada-F_Fully_Asymmetrical_Forward_Throw_Lens_Family

Product number C12086_STRADA-FW

| | |
|-----------------|--------------------------|
| Family | Strada-Forward |
| Type | Lens |
| LED | XP-E |
| Color | Clear |
| Diameter | 15.4 x 19.6 mm |
| Height | 10.66 mm |
| Style | Rectang |
| Optic Material | PMMA |
| Holder Material | - |
| Fastening | ["pin", "screw", "glue"] |
| Status | Production ready |

| | |
|-------------|--------------------|
| FWHM | Asymmetric degrees |
| Efficiency | 92 % |
| cd/lm | - |
| Gerber File | Available |

http://www.ledil.fi/Strada-F_Fully_Asymmetrical_Forward_Throw_Lens_Family

Product number CA12087_STRADA-FW

| | |
|-----------------|--------------------------|
| Family | Strada-Forward |
| Type | Assembly |
| LED | XP-E |
| Color | Clear |
| Diameter | 15.4 x 19.6 mm |
| Height | 10.8 mm |
| Style | Rectang |
| Optic Material | PMMA |
| Holder Material | - |
| Fastening | ["tape", "pin", "screw"] |
| Status | Production ready |

| | |
|-------------|--------------------|
| FWHM | Asymmetric degrees |
| Efficiency | 92 % |
| cd/lm | - |
| Gerber File | Available |

http://www.ledil.fi/Strada-F_Fully_Asymmetrical_Forward_Throw_Lens_Family



PRODUCT DATASHEET Strada-Forward series

last update 10/11/2016

NOTE: The typical divergence will be changed by different color, chip size and chip position tolerance. The typical total divergence is the full angle measured where the luminous intensity is half of the peak value.



PRODUCT DATASHEET Strada-Forward series

last update 10/11/2016

GENERAL INFORMATION

- Product series especially designed & optimized for XP-E series of LEDs.
- Special care taken to make light distribution as uniform as possible.
- Lens material optical grade PMMA with high UV and temperature resistance. Allows use of high current and temperature conditions.

Please find more information about used material from below:

http://ledil.fi/sites/default/files/Documents/Technical/Material/PMMA%20N%20UL94_Yellow%20Card.pdf

<http://ledil.fi/sites/default/files/Documents/Technical/Material/PMMA%20N%20PLEXIGLAS-Datasheet.pdf>

D

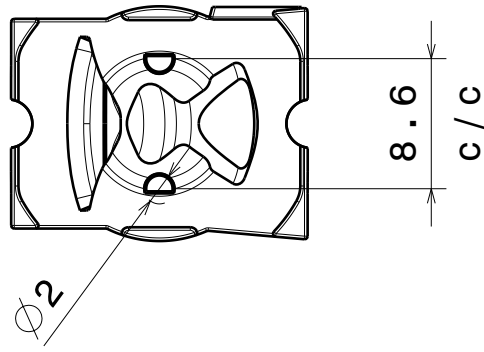
C

B

A

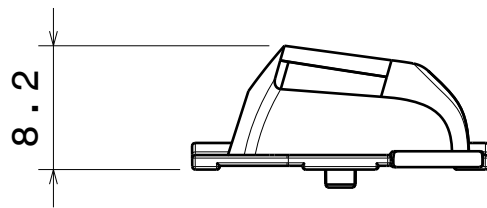
4

4



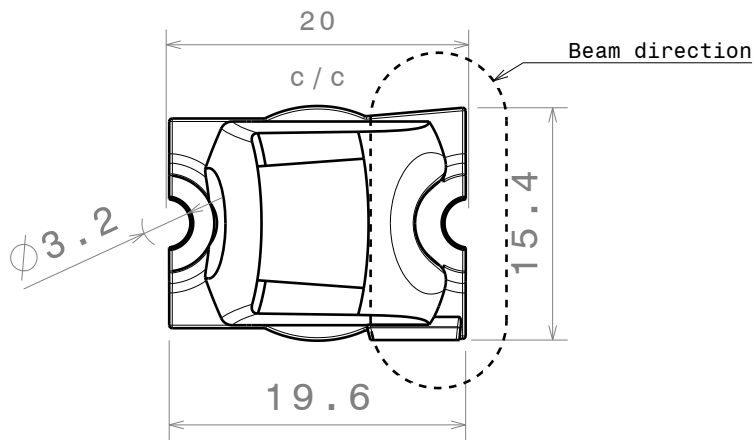
3

3



2

2



MATERIALS
 Lens: PMMA

This drawing is our property.
 It can't be reproduced
 or communicated without
 our written agreement.



Ledil Oy
 Salorankatu 10
 24240 SALO
 Finland

DRAWING TITLE

Datasheet Strada-FT lens

DRAWN BY
 ah

DATE
 6.7.2012

CHECKED BY
 ah

DATE
 6.7.2012

SIZE
 A4

DRAWING NUMBER

REV
 2

DESIGNED BY
 hh

DATE
 15.3.2011

SCALE 2:1 WEIGHT (g)

SHEET 1/1

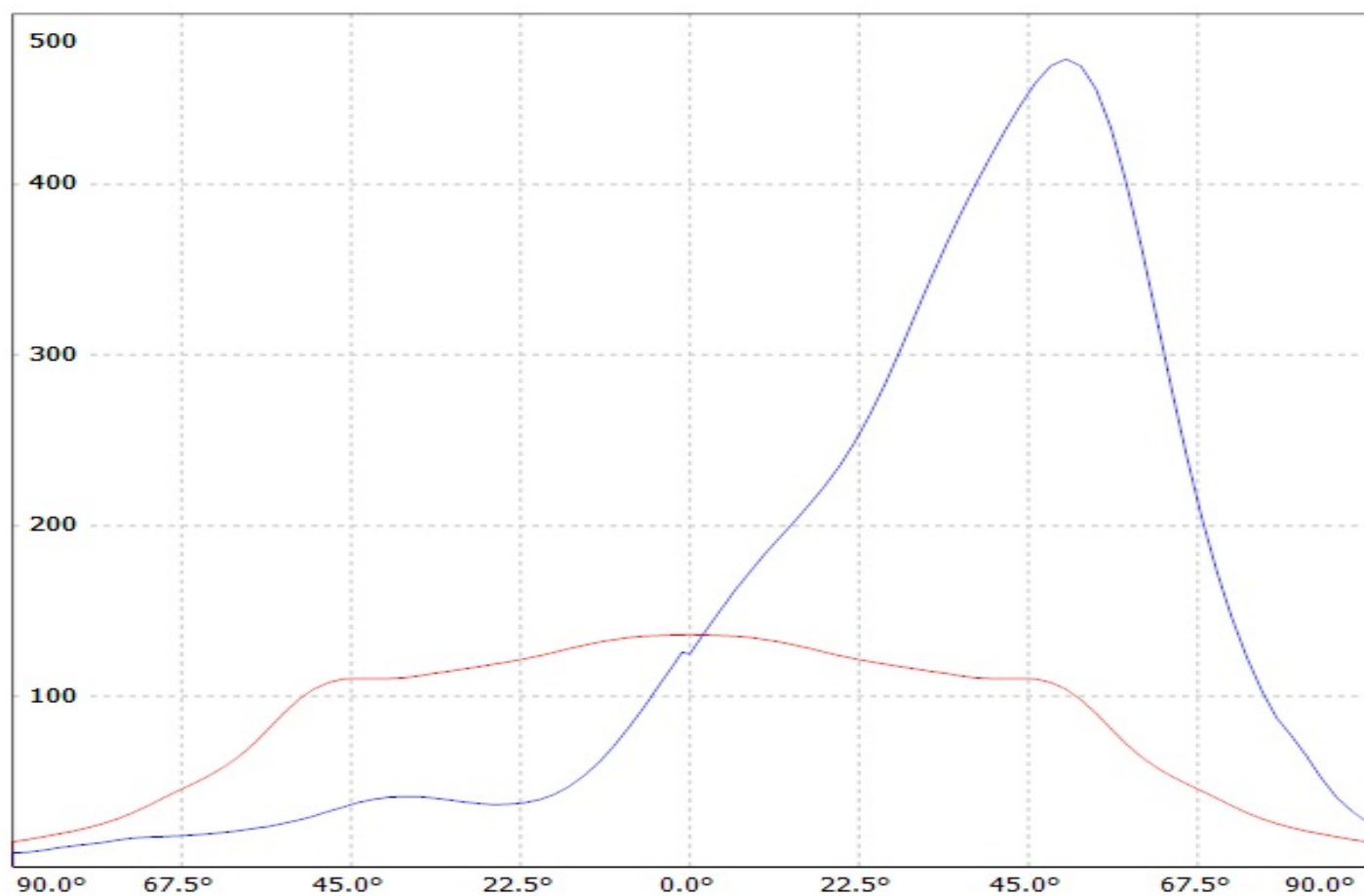
D

A

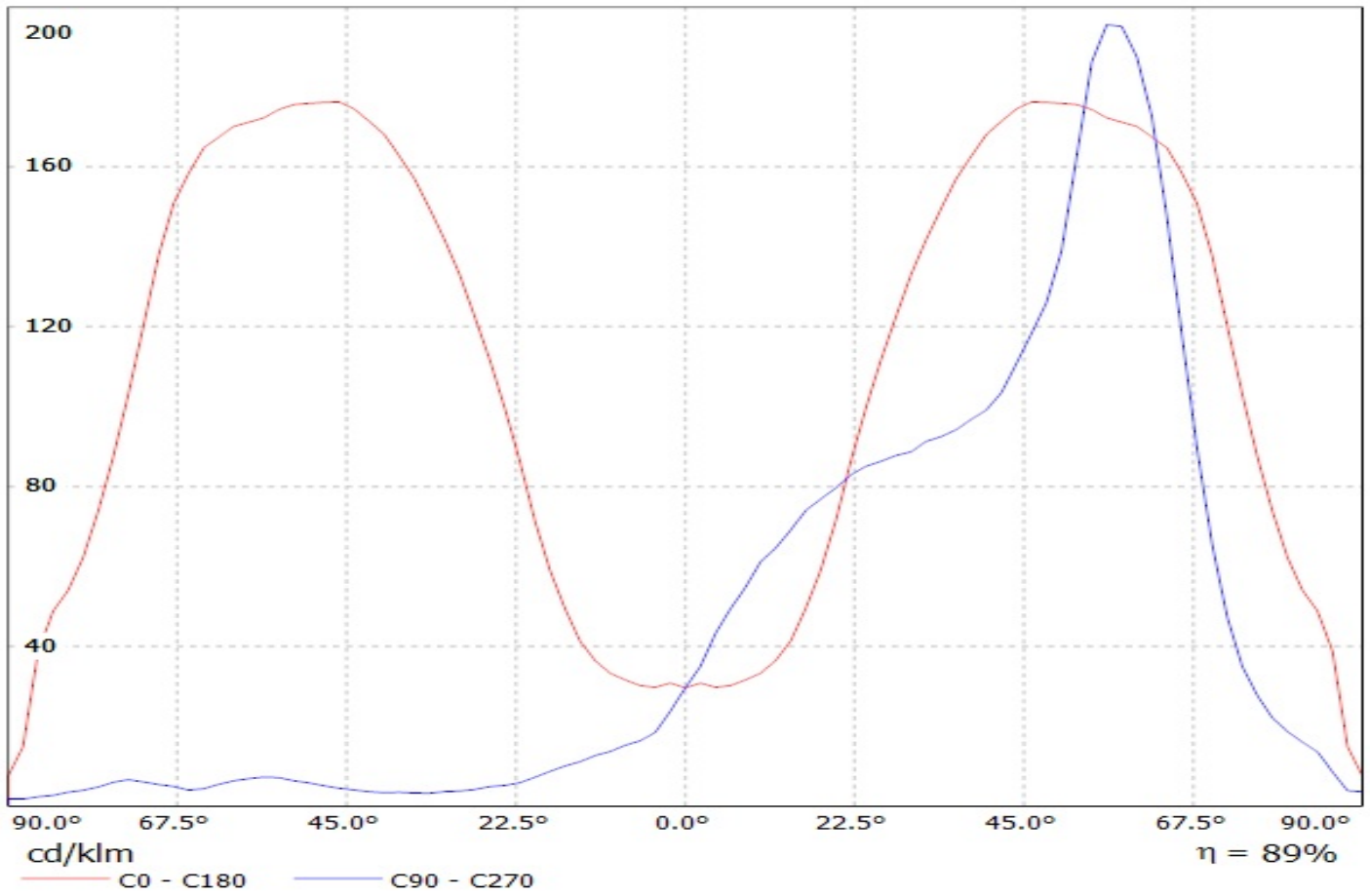
1

1

Luminaire: Ledil Oy C12049_Strada-FT-XP C12049_Strada-FT-XP
Lamps: 1 x Cree XP-E

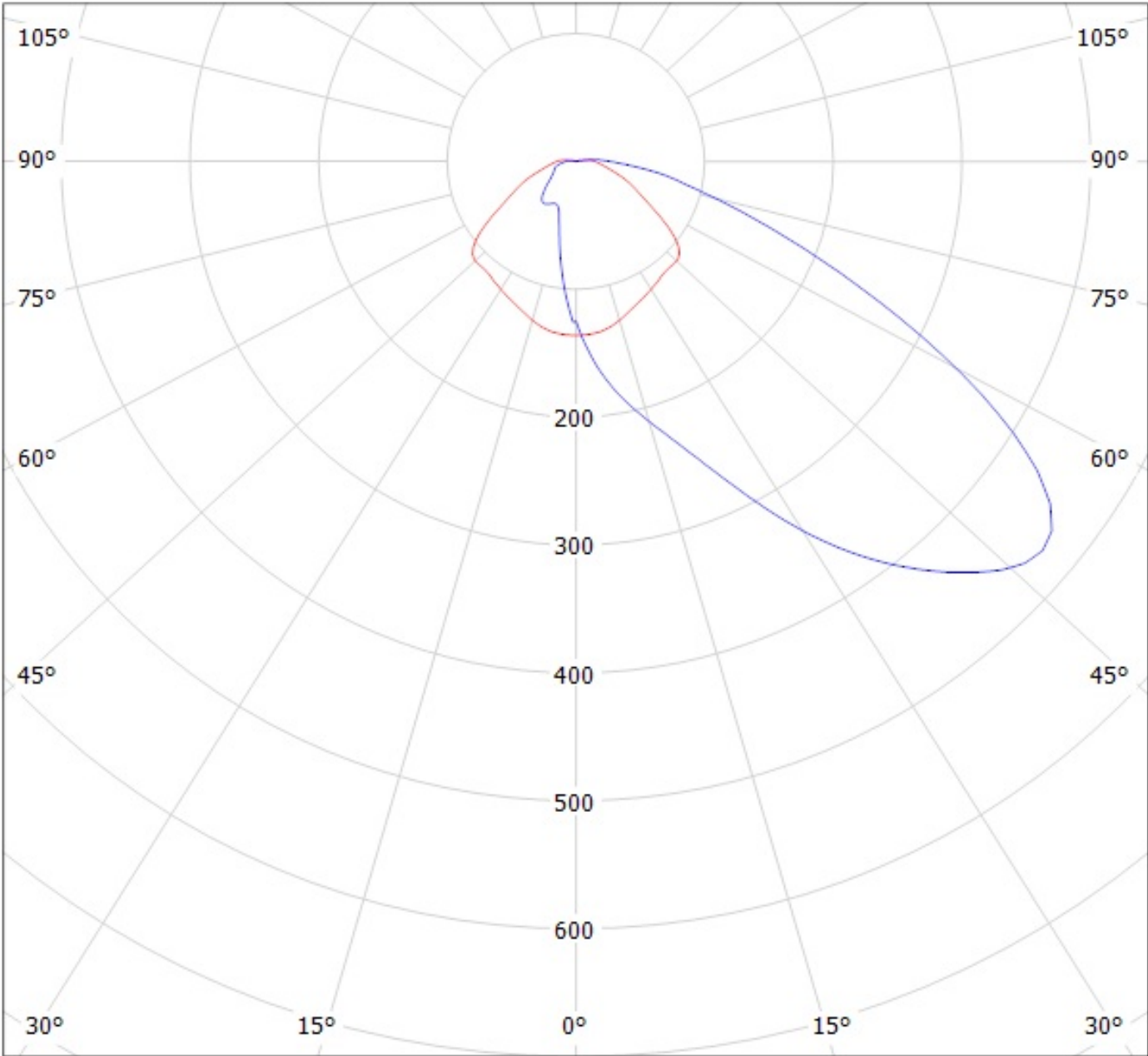


Luminaire: Ledil Oy CA12087-Strada-FW-Tape-XP
Lamps: 1 x Cree XP-E 74,6lm 250mA



Luminaire: Ledil Oy C12049_Strada-FT-XP C12049_Strada-FT-XP

Lamps: 1 x Cree XP-E



Luminaire: Ledil Oy CA12087-Strada-FW-Tape-XP
Lamps: 1 x Cree XP-E 74,6lm 250mA

