

DETAILS

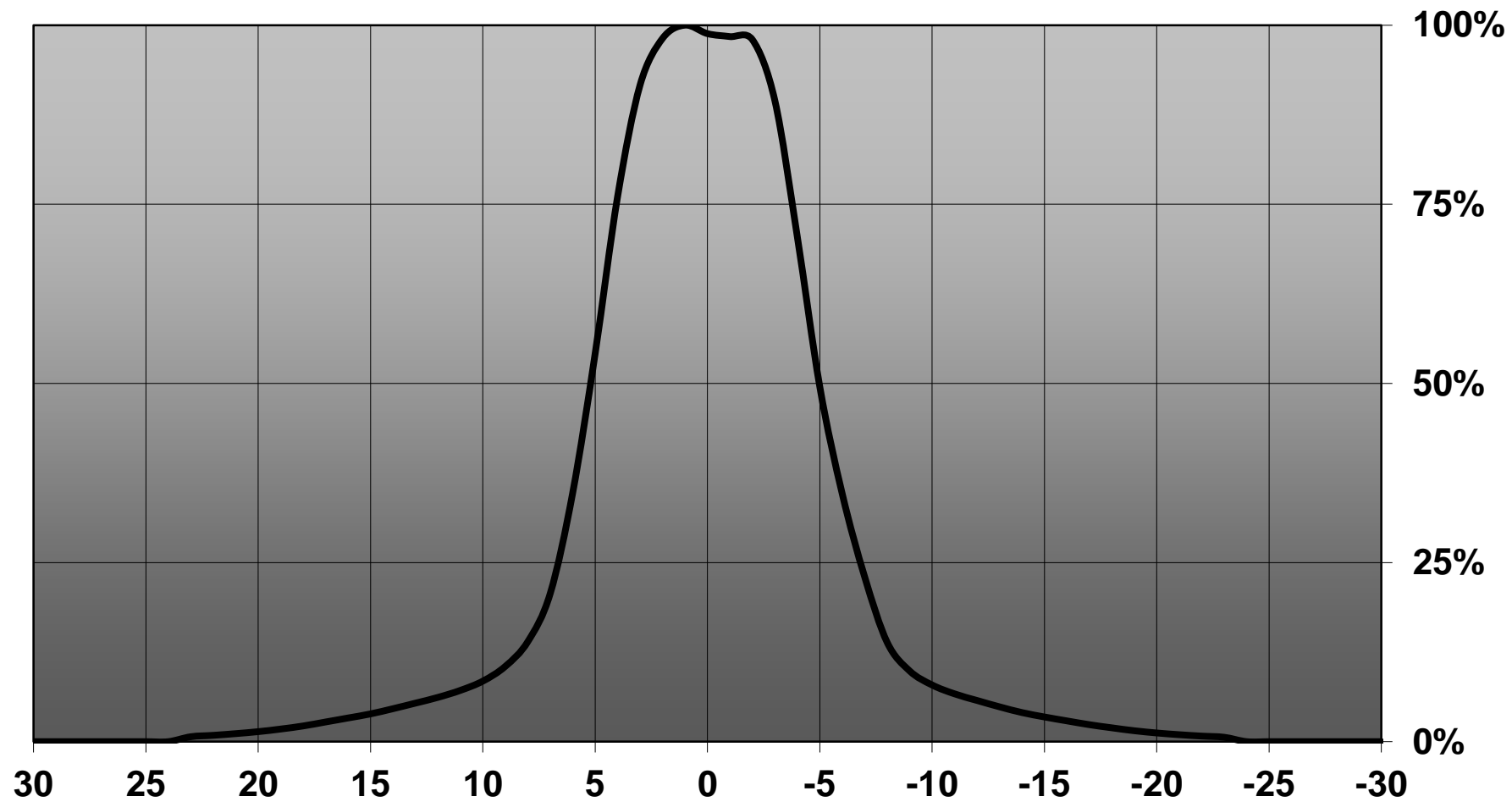
| | |
|------------------------|------------------|
| Product Number | CA11663_HEIDI-RS |
| Family | Heidi |
| Type | Assembly |
| Color | clear |
| Diameter | 21,6 mm |
| Height | 11,7 mm |
| Style | round |
| Optic Material | PMMA |
| Holder Material | |
| Fastening | pin, tape |
| Status | production ready |
| ROHS Compliant | Yes |
| Date Updated | 8/06/2016 |



OPTICAL PROPERTIES

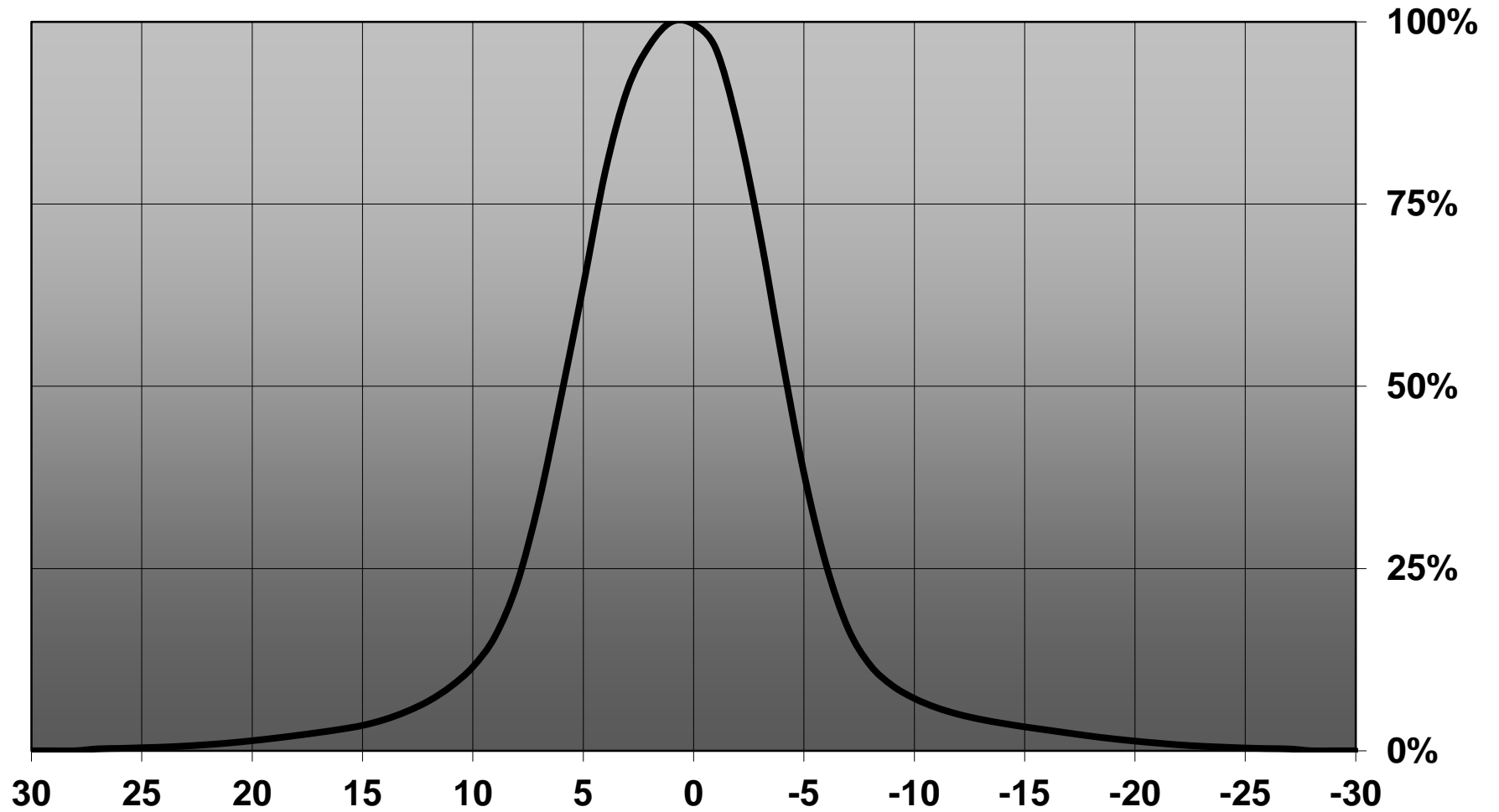
| LED | Viewing | Light | Effi- | cd/lm | Connector |
|---------------------------------------|---------|-----------|--------|--------------|-----------|
| | Angle | Beam | ciency | | |
| XP-E | 8 deg | Real spot | 93 % | 26.800 | - |
| XP-G | 9 deg | Real spot | 93 % | 16.600 | - |
| XB-D | 8 deg | Real spot | 91 % | 19.700 | - |
| XP-E2 | 8 deg | Real spot | 90 % | 38.000 | - |
| XP-G2 | 11 deg | Real spot | 91 % | 19.100 | - |
| XB-H | 10 deg | Real spot | 90 % | 18.300 | - |
| LUXEON T | 11 deg | Real spot | 92 % | 16.300 | - |
| LUXEON TX | 10 deg | Real spot | 90 % | 19.500 | - |
| LUXEON C | 7 deg | Real spot | 92 % | 35.550 | - |
| NCSxx19A | 8 deg | Real spot | 89 % | 19.000 | - |
| NVSxx19A | 10 deg | Real spot | 89 % | 13.900 | - |
| NVSxx19B/NVSxx19C | 12 deg | Real spot | 92 % | 13.900 | - |
| NCSxx19B | 9 deg | Real spot | 90 % | 25.200 | - |
| Oslon SSL 80 | 6 deg | Real spot | 90 % | 29.400 | - |
| Oslon SSL 150 | 7 deg | Real spot | 93 % | 24.700 | - |
| Oslon Square EC | sim: 12 | Real spot | - | sim: 11.750- | - |
| Oslon Square Gen3 | 10 deg | Real spot | 89 % | 20.800 | - |
| Fortimo FastFlex LED board 2x8/757 DS | 13 deg | Real spot | 92 % | 19.000 | - |
| LH351Z | 11 deg | Real spot | 89 % | 20.700 | - |
| Z5 | 7 deg | Real spot | 93 % | 32.700 | - |
| Z5M1/Z5M2 | 11 deg | Real spot | 94 % | 17.770 | - |

Relative intensity of CA11663_HEIDI-RS_(XB-H)



— C1 0-180

Relative intensity of CA11663_HEIDI-RS_(Square_Gen3)



D

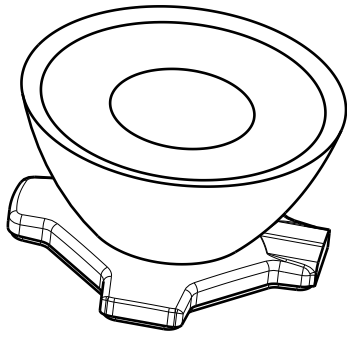
C

B

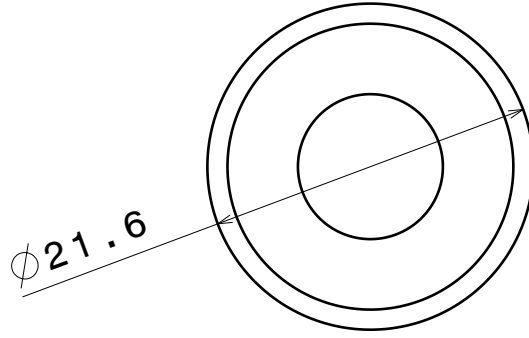
A

4

4



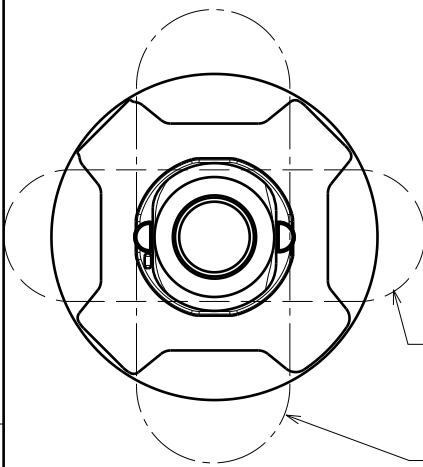
Isometric view



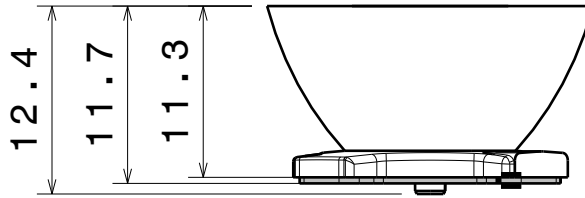
Top view

3

3



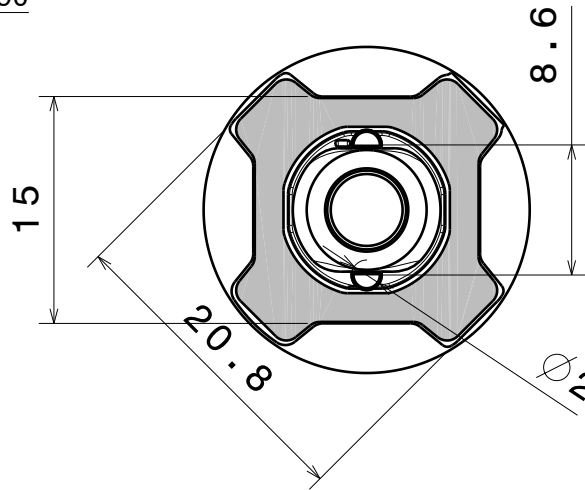
Bottom view
OVAL BEAM direction



Front view

2

2



Bottom view

Material:
Lens PMMA
Tape PU Foam

This drawing is our property.
It can't be reproduced
or communicated without
our written agreement.



Ledil Oy
Salorankatu 10
FIN-24100 SALO
Finland

DRAWING TITLE

Datasheet Heidi-Series Assy

DRAWN BY
ah

DATE
1.2.2012

CHECKED BY

DATE

SIZE
A4

DRAWING NUMBER

REV
2

DESIGNED BY

DATE

SCALE 2:1 WEIGHT (g)

SHEET 1/1

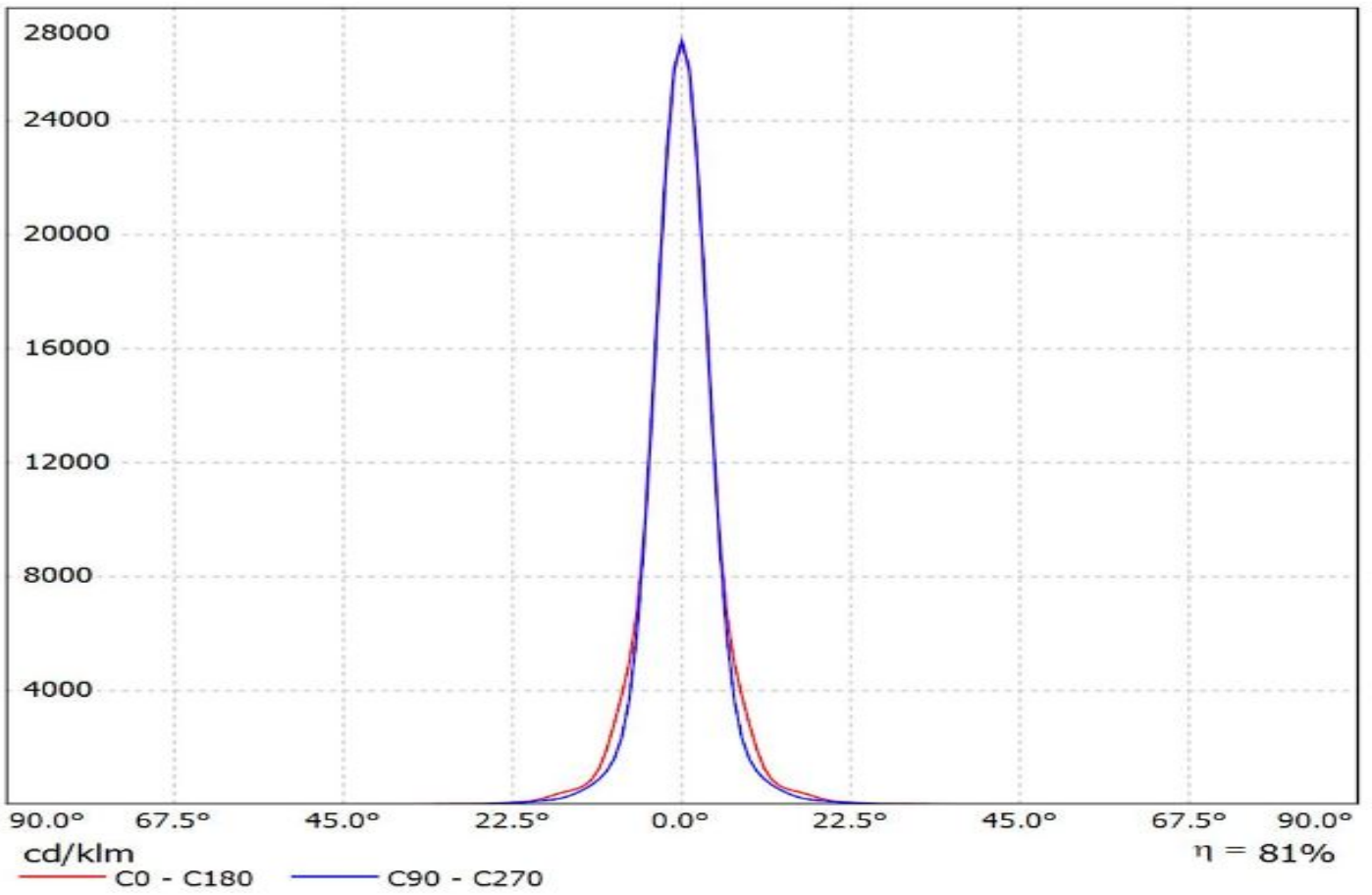
D

A

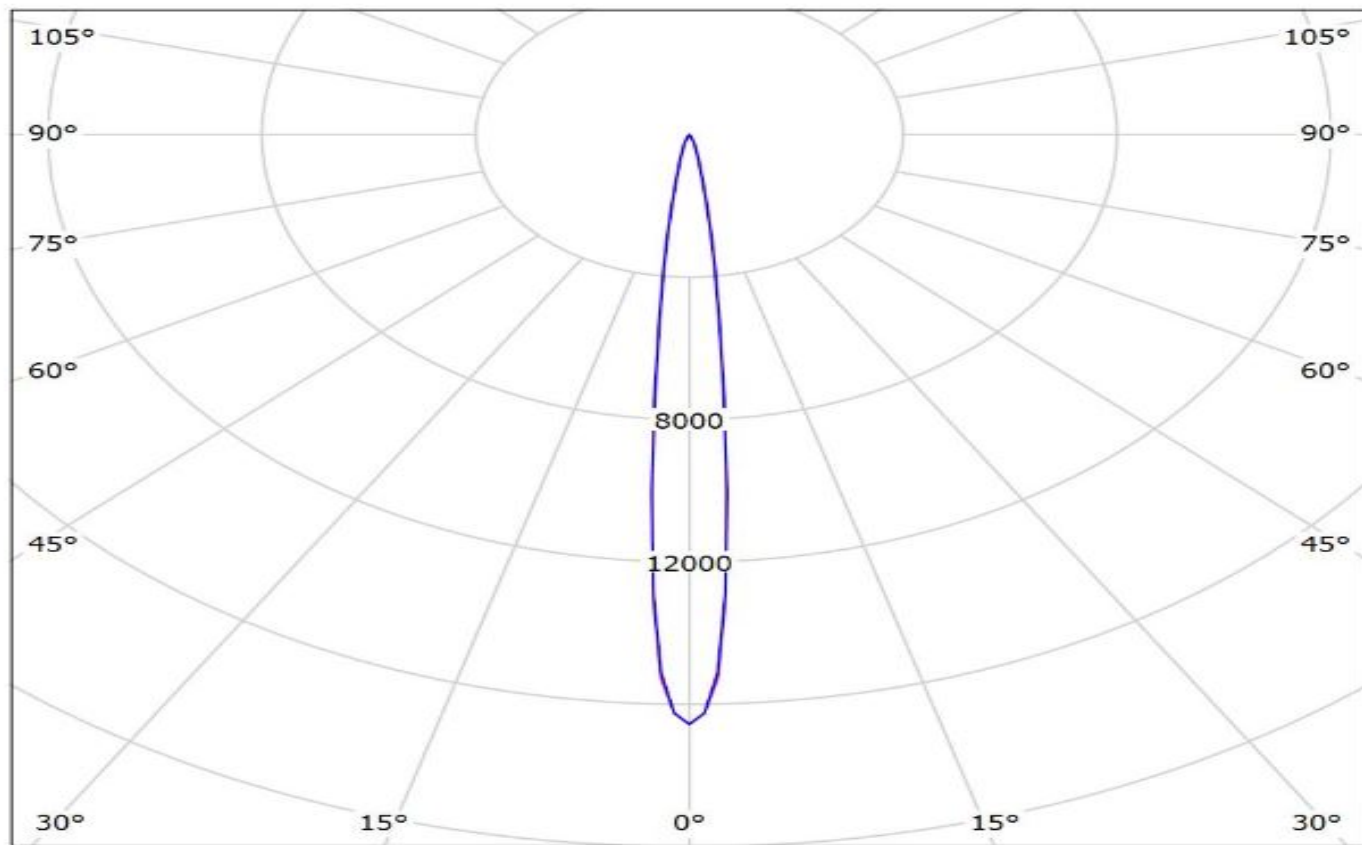
1

1

Luminaire: Ledil Oy CA11663_Heidi-RS-XP
Lamps: 1 x Cree XP-E 250mA 74lm



Luminaire: Ledil Oy CA11663_Heidi-RS-XP-G CA11663_Heidi-RS-XP-G
Lamps: 1 x Cree XP-G white

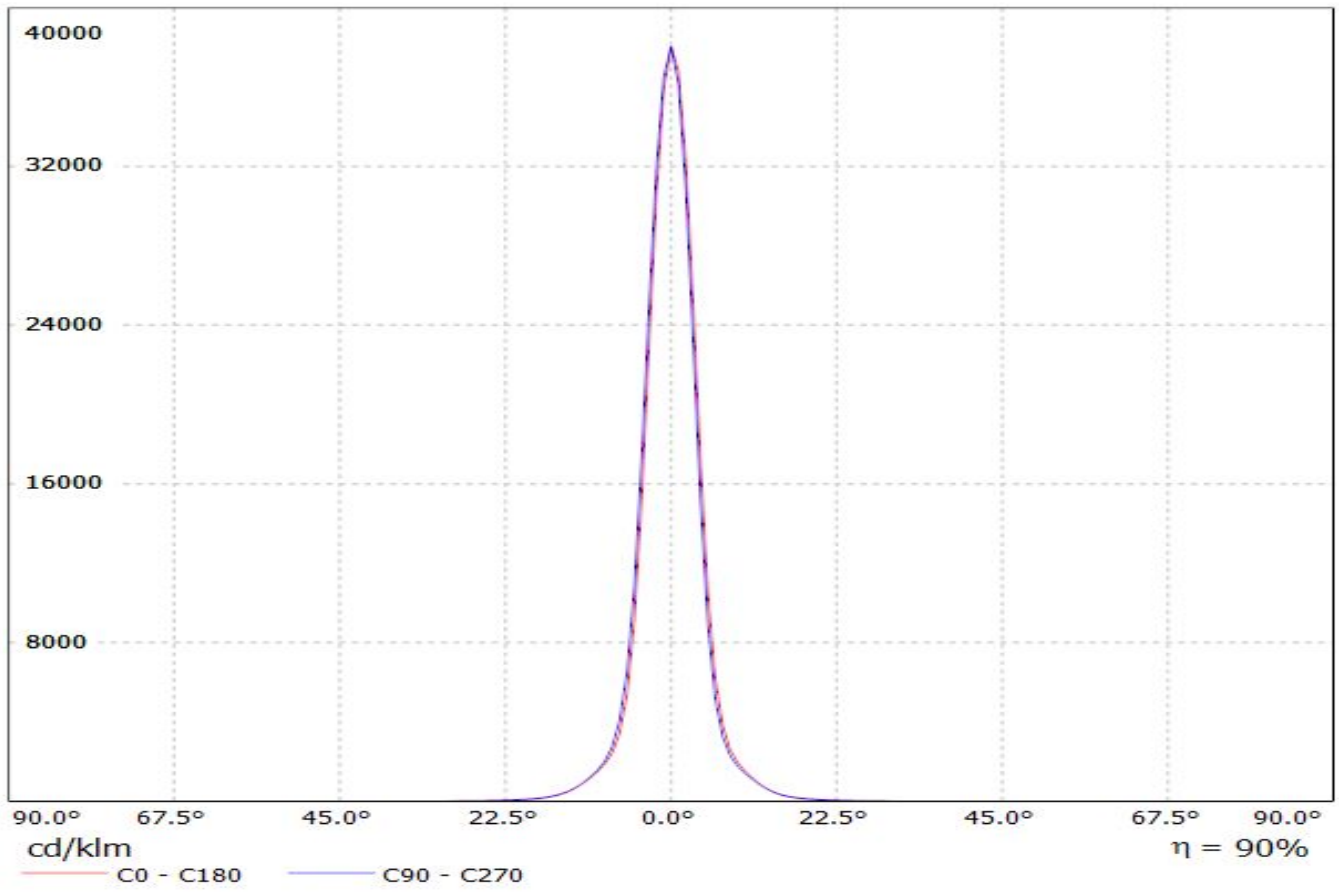


cd/klm

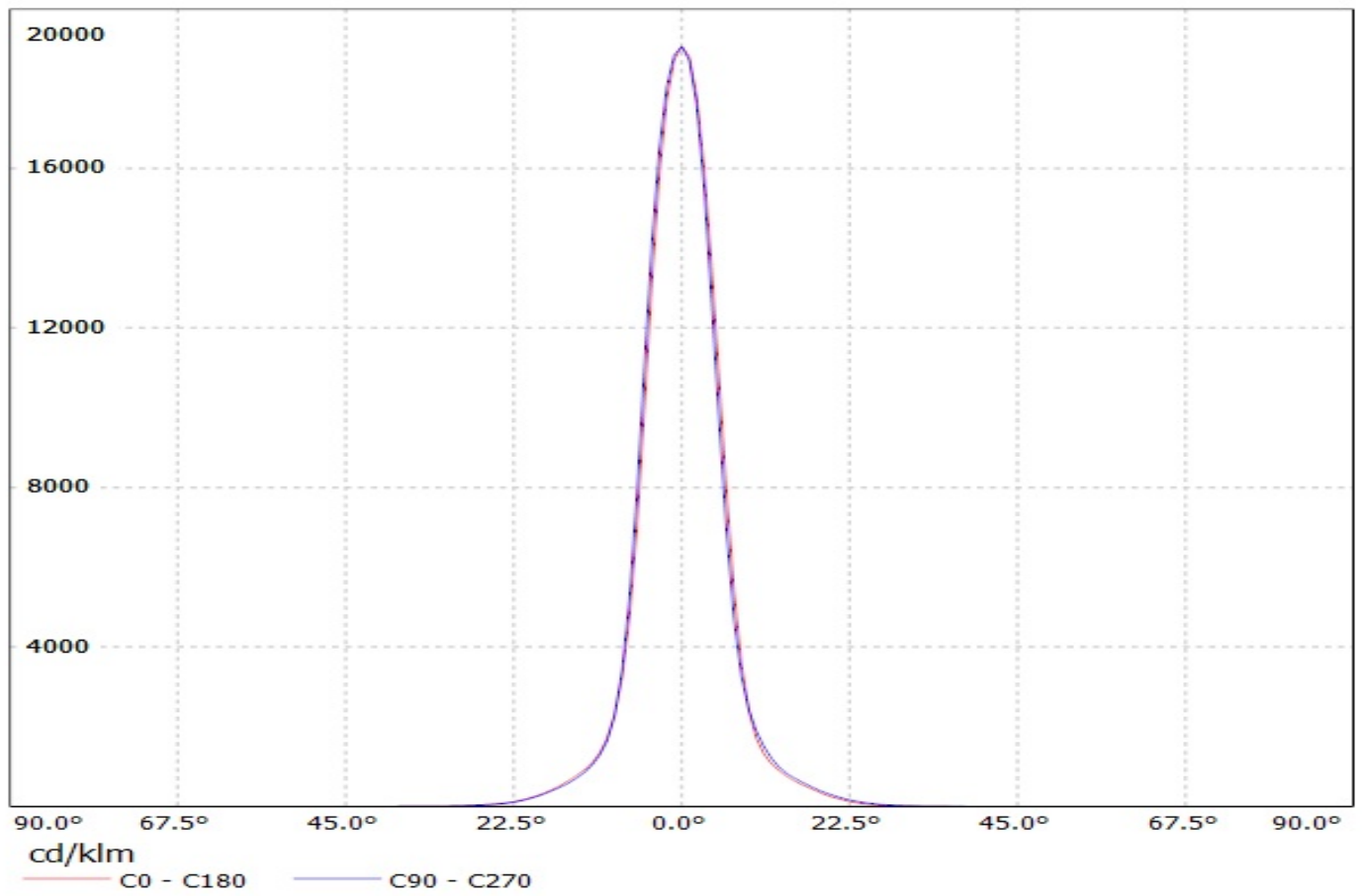
— C0 - C180

— C90 - C270

Luminaire: LEDiL Oy CA11663_HEIDI-RS_(XP-E2) Eff. 90%
Lamps: 1 x Cree XP-E2 92lm@250mA CCT:5500K P:0.8W

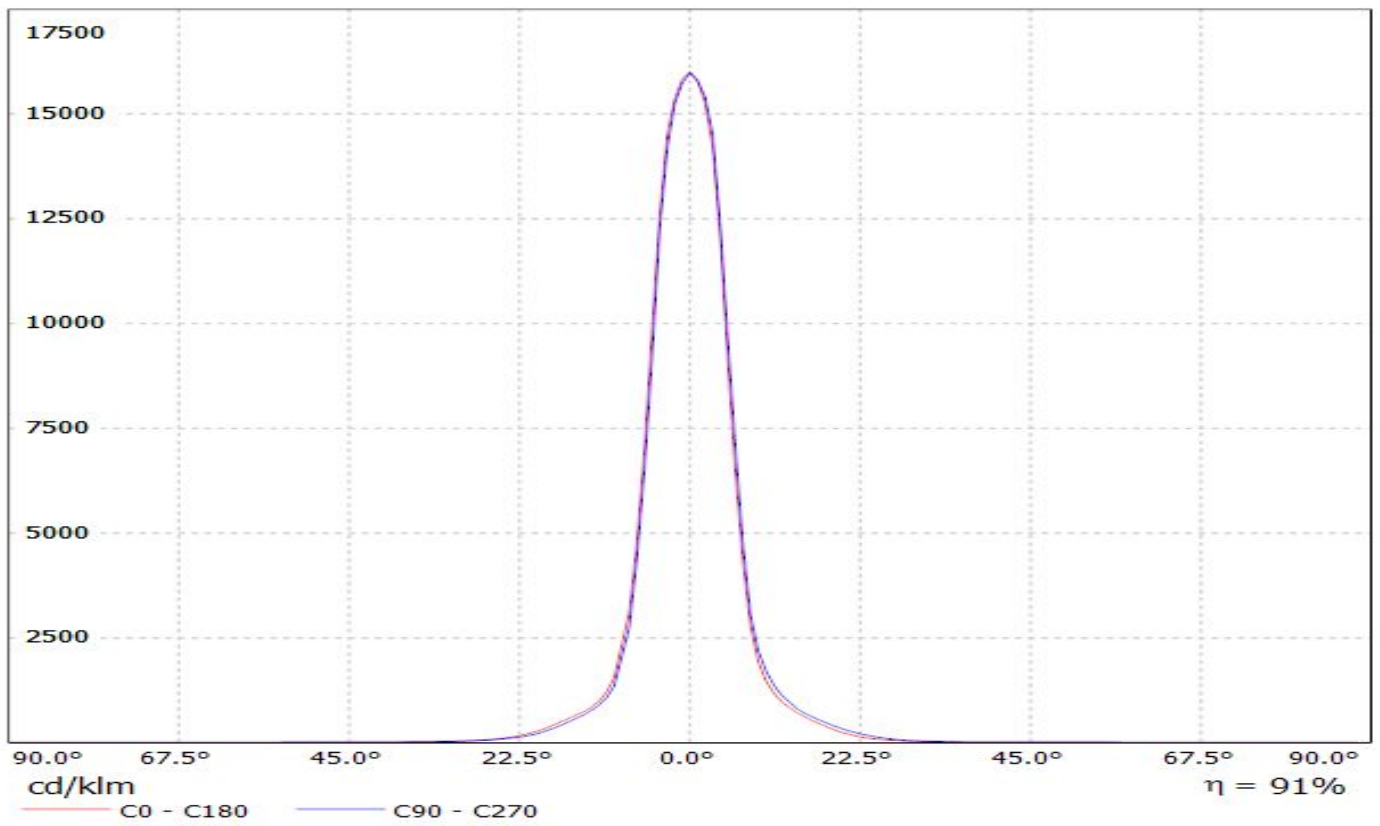


Luminaire: LEDil Oy CA11663 HEIDI-RS_(XP-G2) Efficiency=91%
Lamps: 1 x Cree XP-G2 (XPGBWTL1-0000-00FE4) 100.7lm @ 250mA CCT=4900K P=0.7W I=250mA

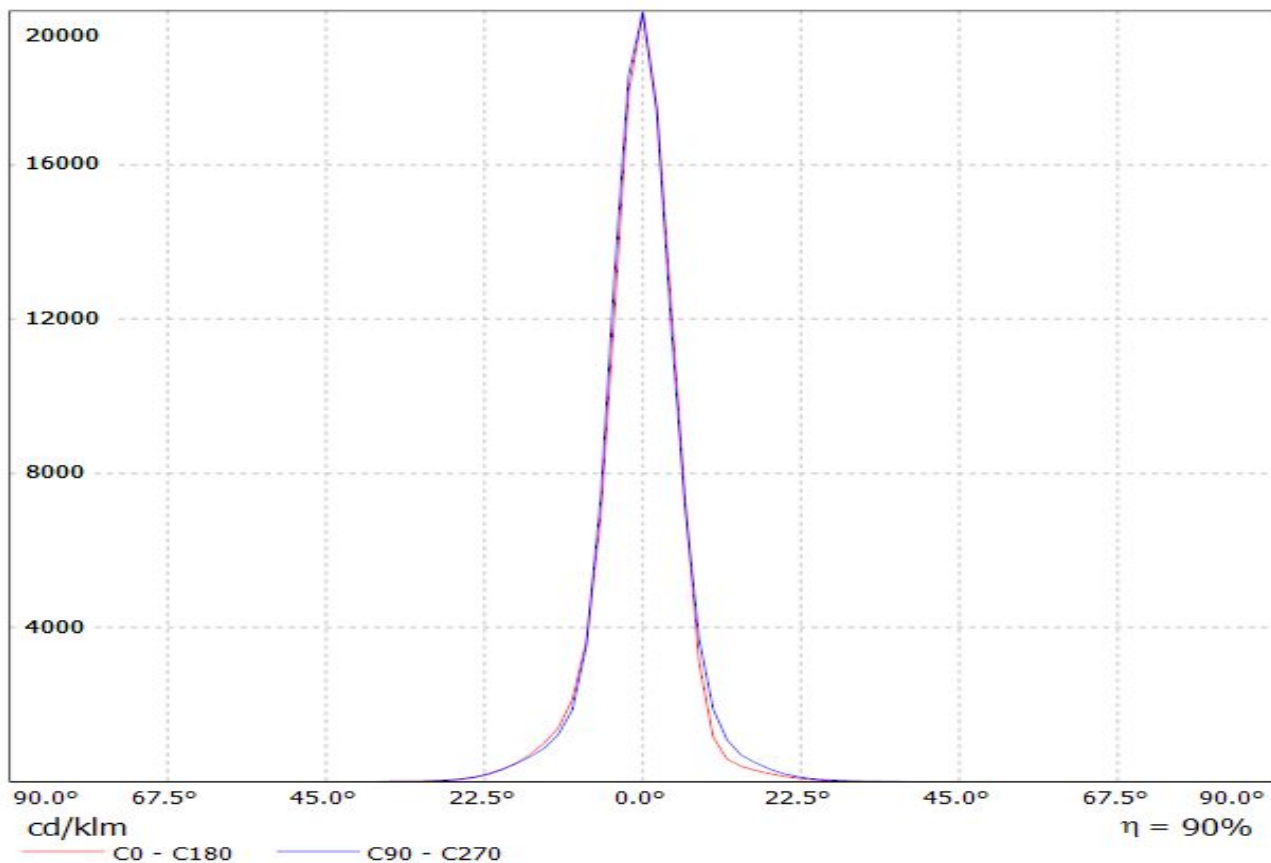


LEDiL Oy CA11663_HEIDI-RS_(LUXEON_T)_1 Eff.91.7% / LDC (Linear)

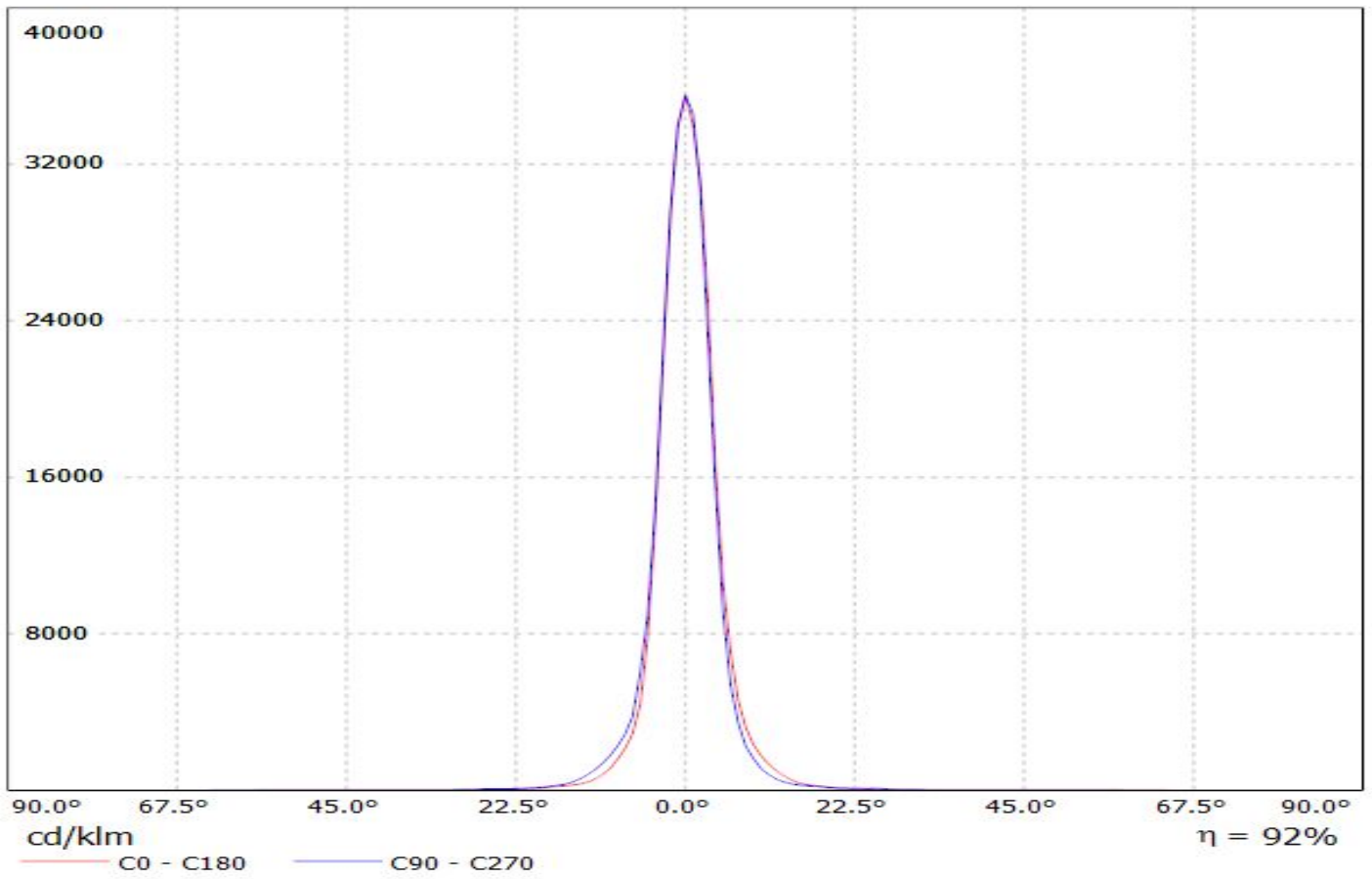
Luminaire: LEDiL Oy CA11663_HEIDI-RS_(LUXEON_T)_1 Eff.91.7%
Lamps: 1 x LUXEON T (74lm@250mA)



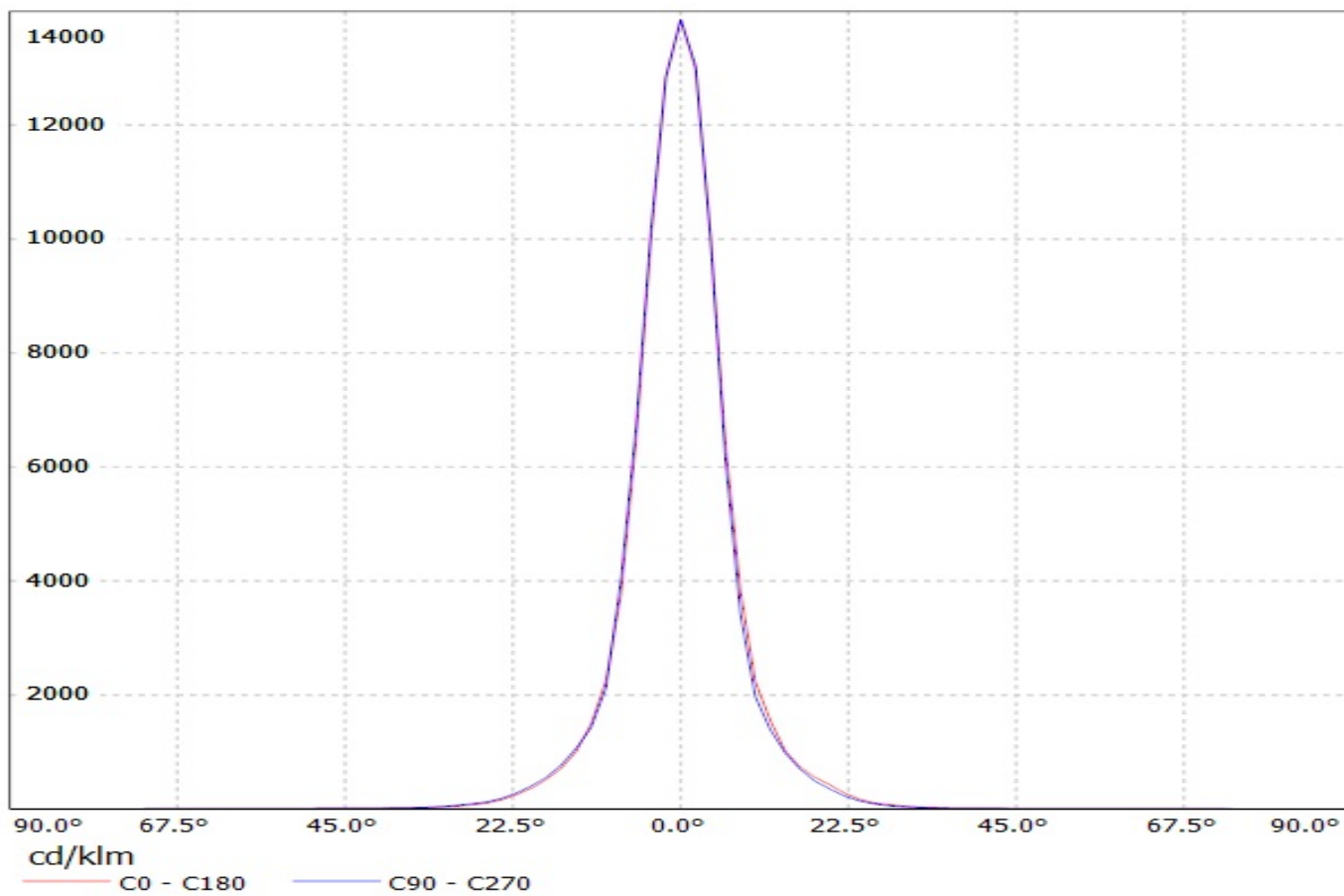
Luminaire: Ledil Oy CA11663_HEIDI-RS_(Luxeon_TX)
Lamps: 1 x Luxeon TX (L1T2-3585) 108lm @ 250mA CCT=3521K P=0.73W I=250mA



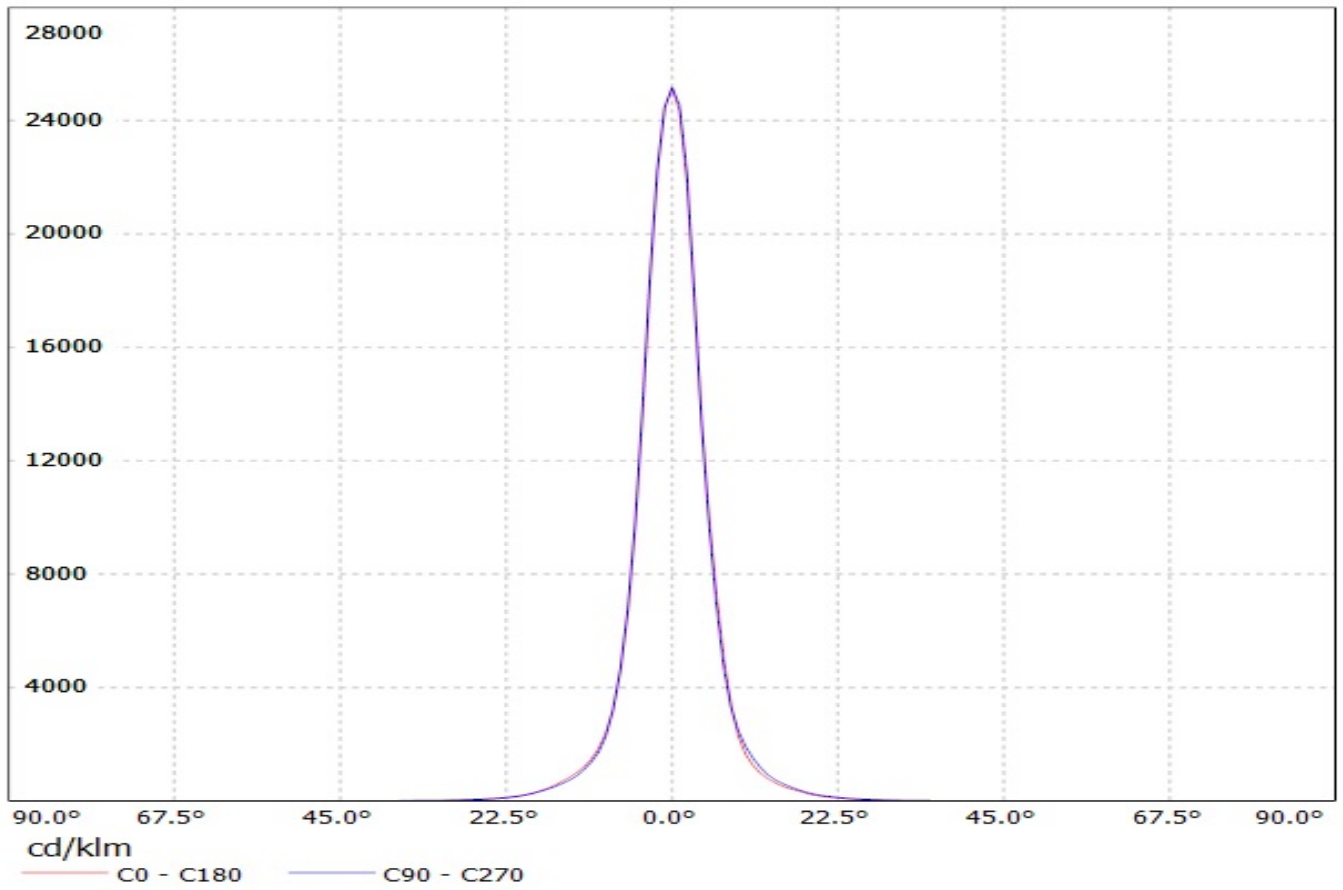
Luminaire: LEDiL Oy CA11663_HEIDI-RS_(Luxeon_C_WHITE)
Lamps: 1 x Luxeon_C_WHITE_84.6969lm@250mA_P=0.7410W_I=0.250A



Luminaire: Ledil Oy CA11663_HEIDI-RS (Nichia 219B 109lm @ 250mA) Efficiency=92%
Lamps: 1 x Nichia 219B 109lm @ 250mA

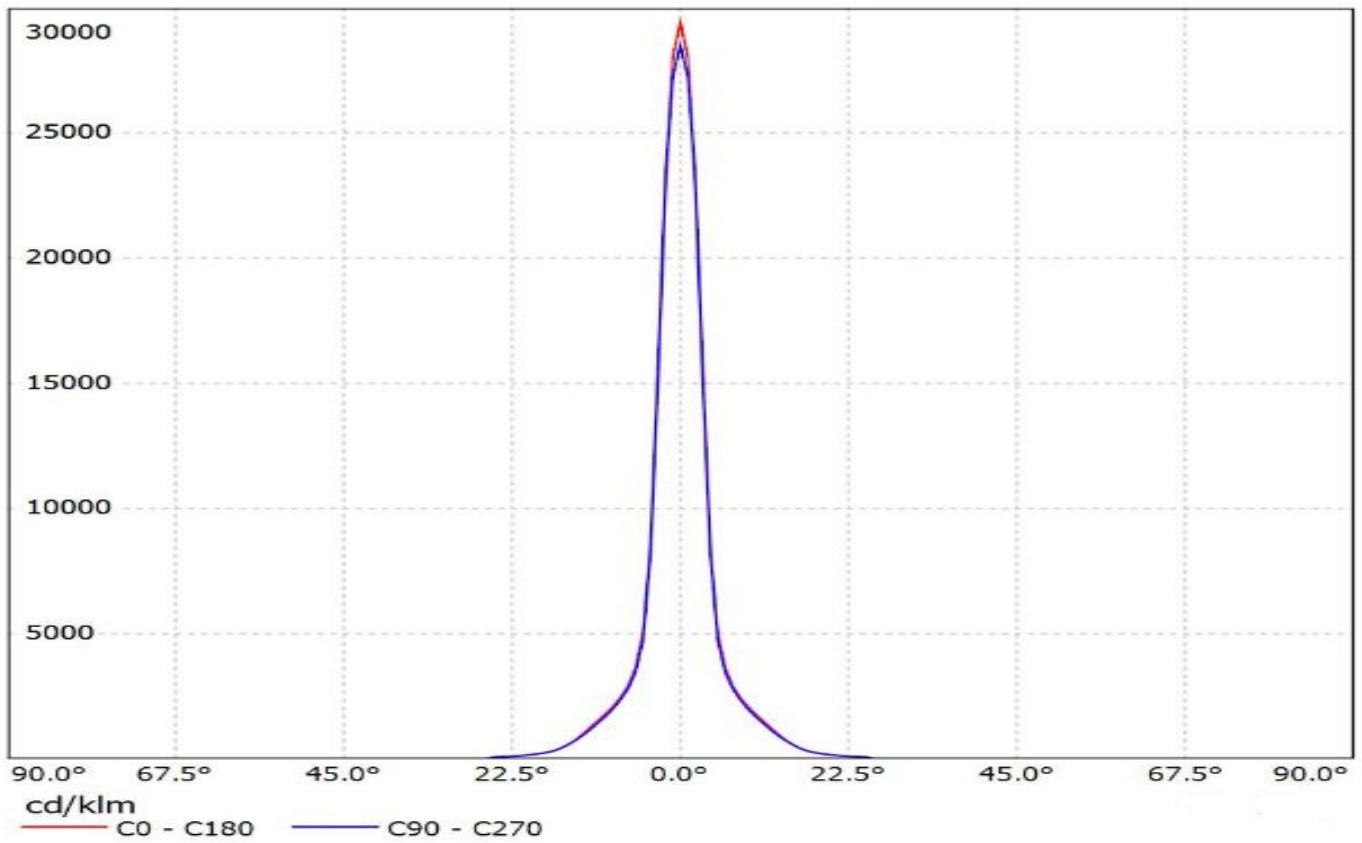


Luminaire: Ledil Oy CA11663_HEIDI-RS_(NCSxx19B) Efficiency=90%
Lamps: 1 x Nichia NCSxx19B (NCSL119BE) 88lm @ 250mA CCT=3000K P=0.8W I=250mA

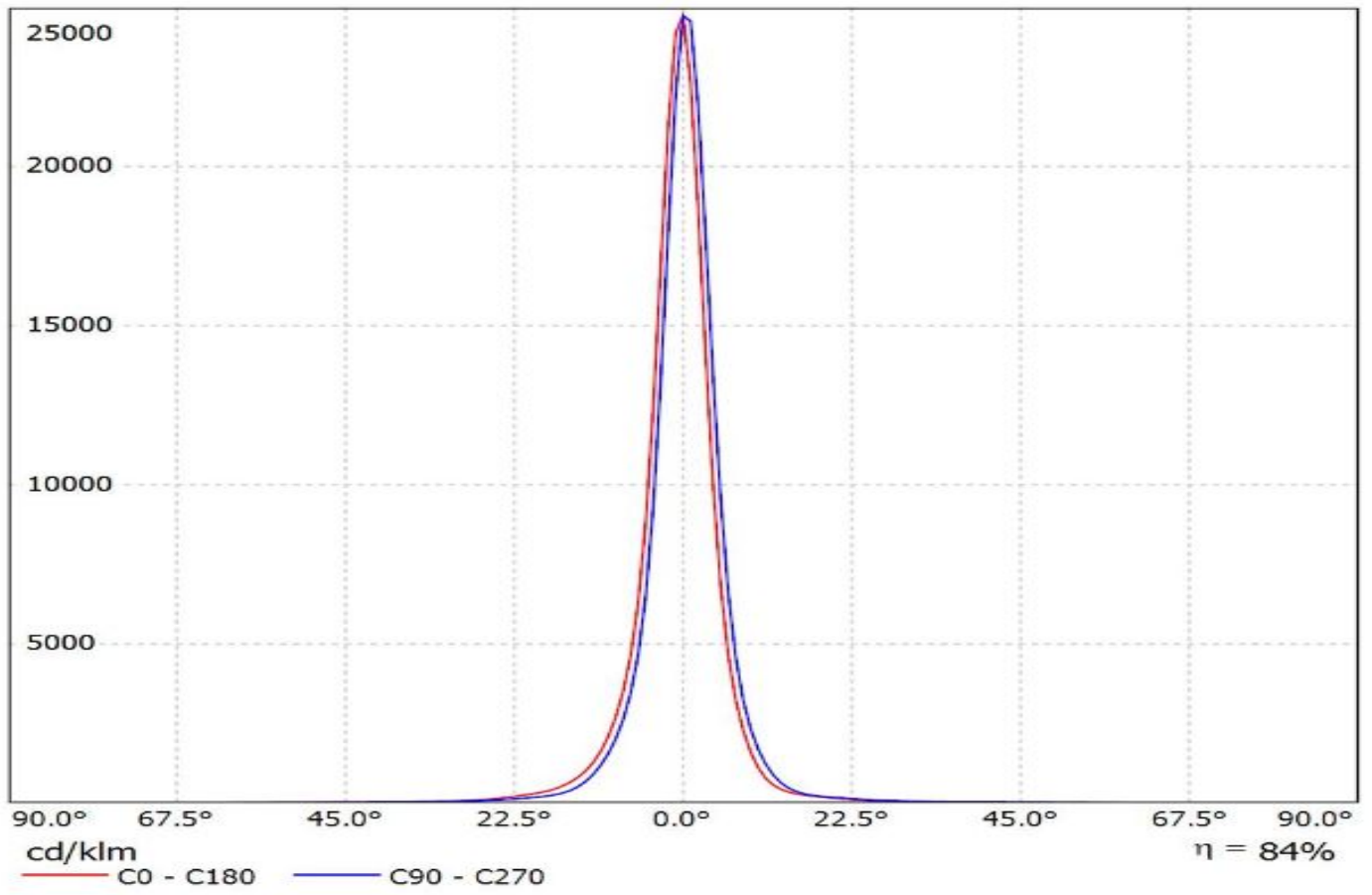


Ledil Oy CA11663_Heidi-RS-OS CA11663_Heidi-RS-OS / LDC (Linear)

Luminaire: Ledil Oy CA11663_Heidi-RS-OS CA11663_Heidi-RS-OS
Lamps: 1 x Osram Oslon 80 deg white

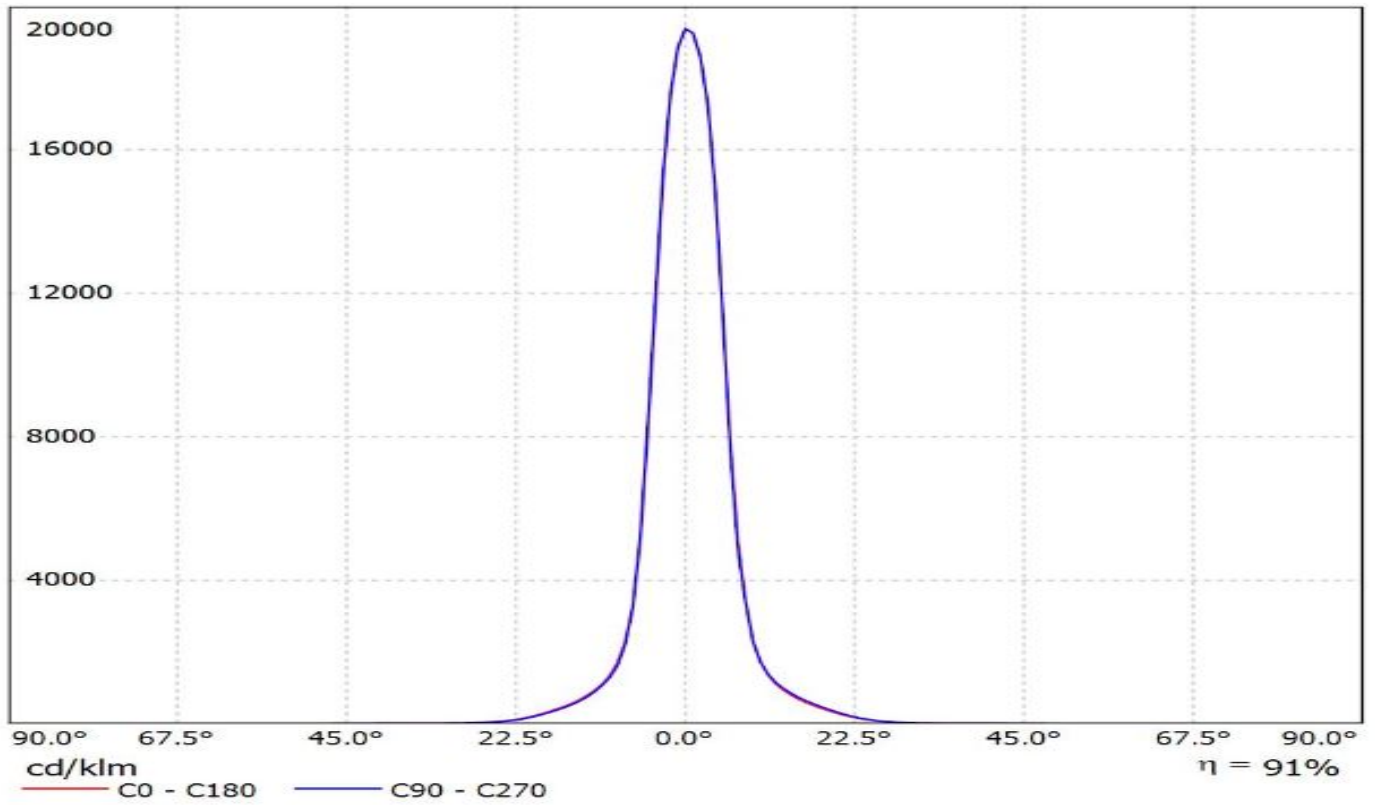


Luminaire: Ledil Oy <http://ledil.fi/node/2/p/3743> LOR=94%
Lamps: 1 x Osram OSL150 250mA 109lm

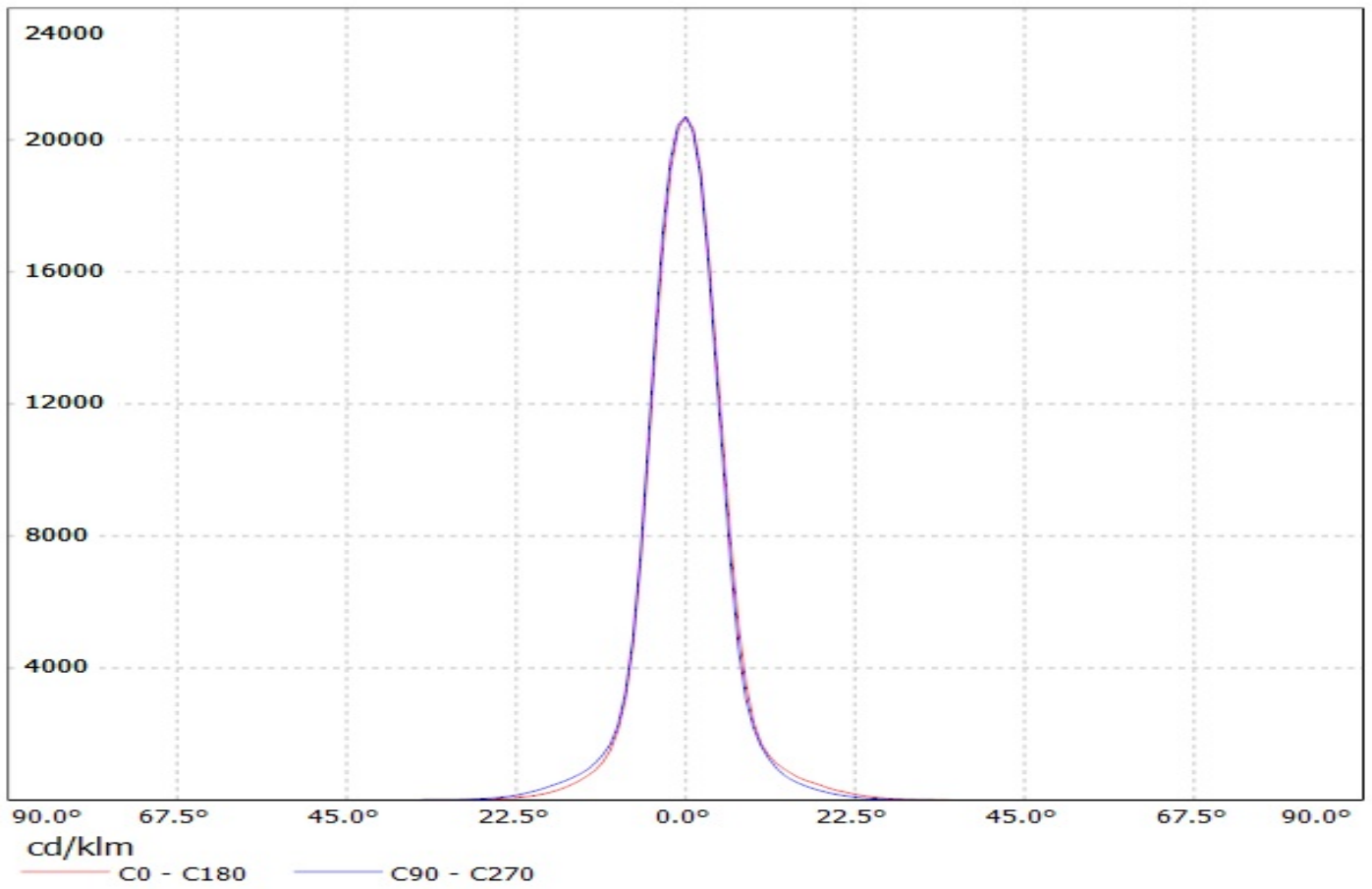


Ledil CA11663_HEIDI-RS_(Fortimo_FastFlex_LED_board 2x8/757_DS_G3) / LDC (Linear)

Luminaire: Ledil CA11663_HEIDI-RS_(Fortimo_FastFlex_LED_board 2x8/757_DS_G3)
Lamps: 1 x Philips_Fortimo_FastFlex_LED_board 2x8/757_DS_G3_(XP-G2)
_3428.78lm@500mA_P=23.7W_I=0.5A

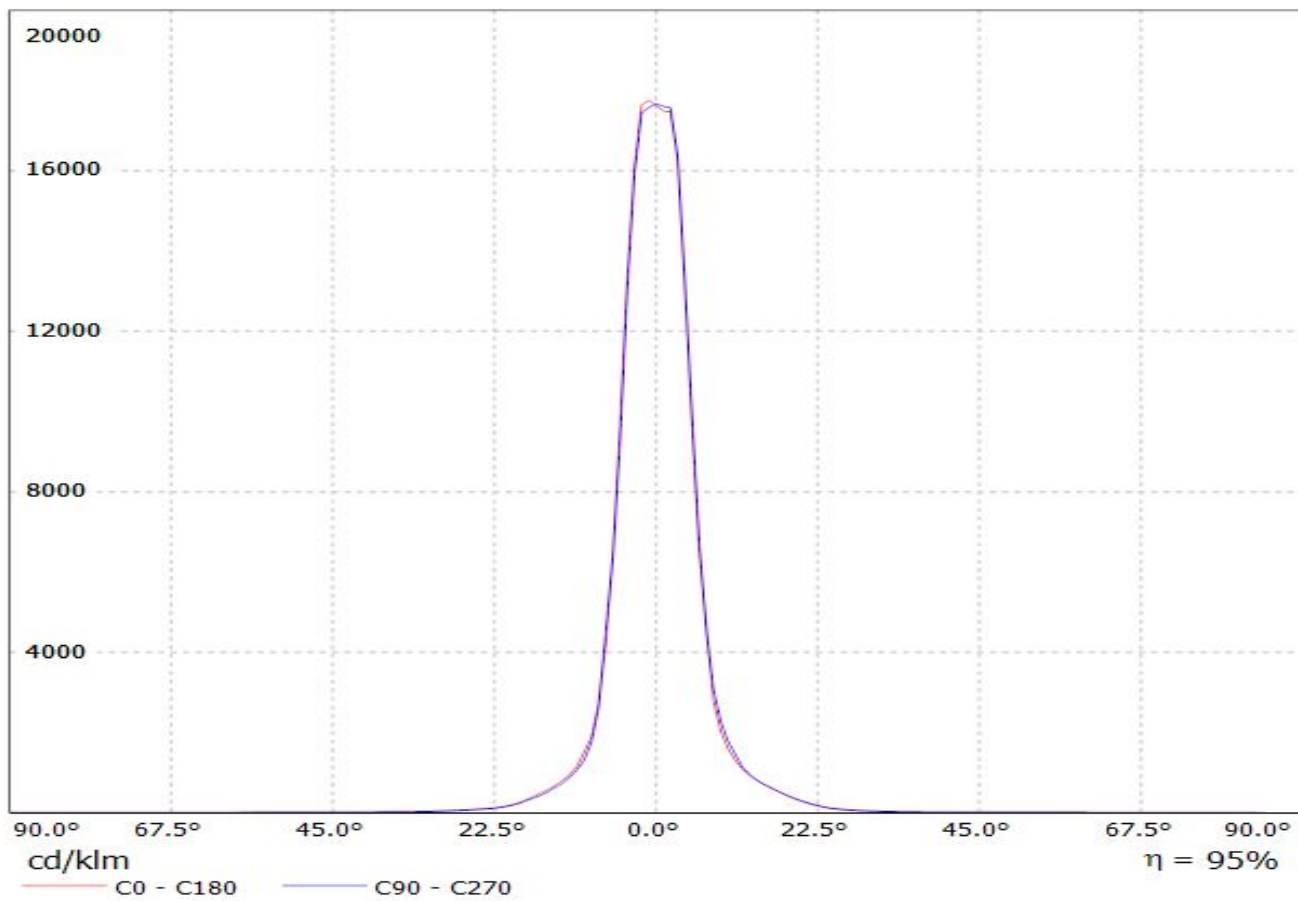


Luminaire: Ledil Oy CA11663_HEIDI-RS_(LH351Z) Efficiency=89%
Lamps: 1 x Samsung LH351Z (90.14lm @ 250mA) CCT=6500K P=0.7W I=250mA

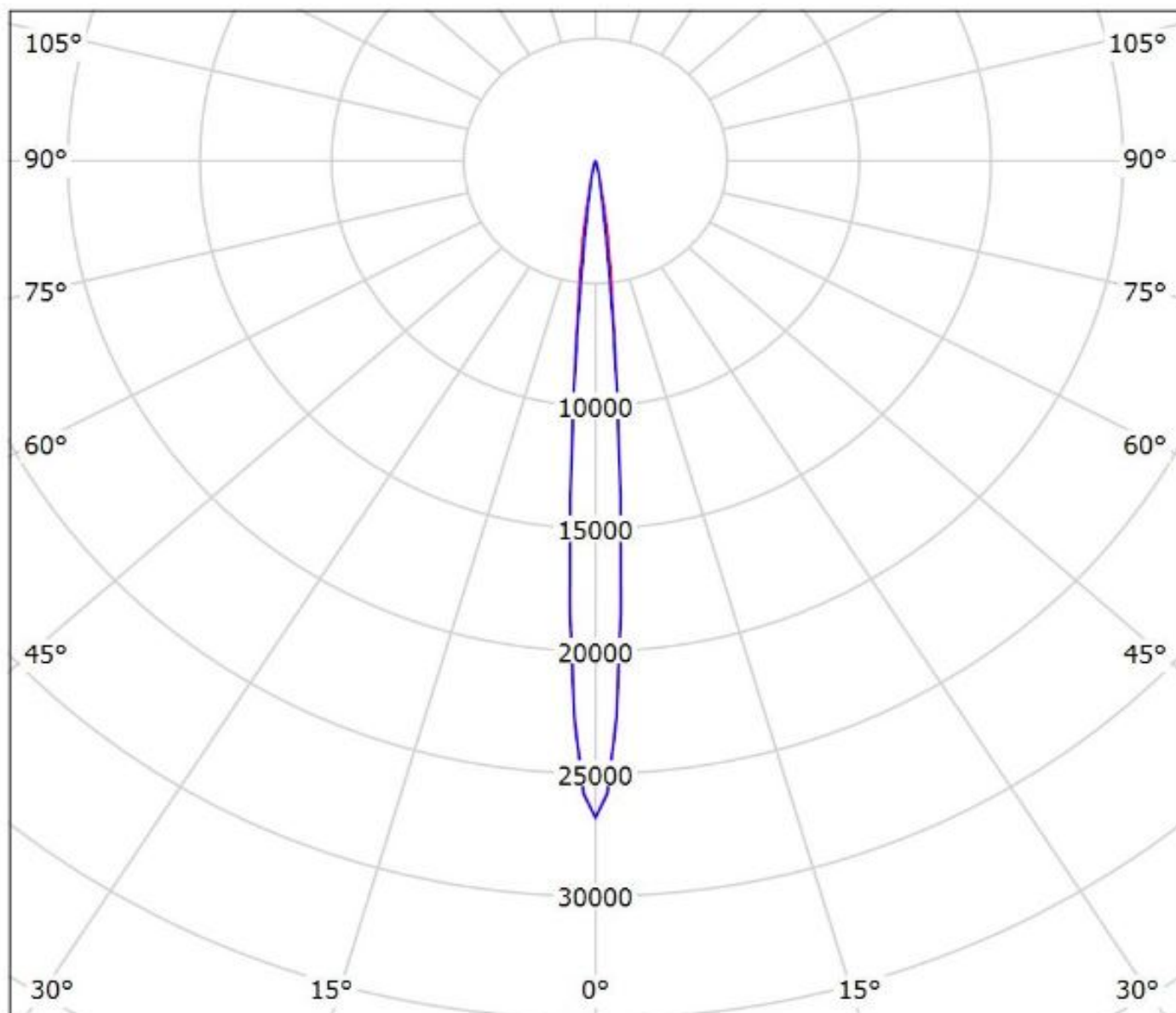


Luminaire: LEDiL Oy CA11663_HEIDI-RS_(Z5M1)

Lamps: 1 x Seoul_Z5M1_107.648lm@250mA_CCT=9074K_P=0.739754W_I=249.9mA



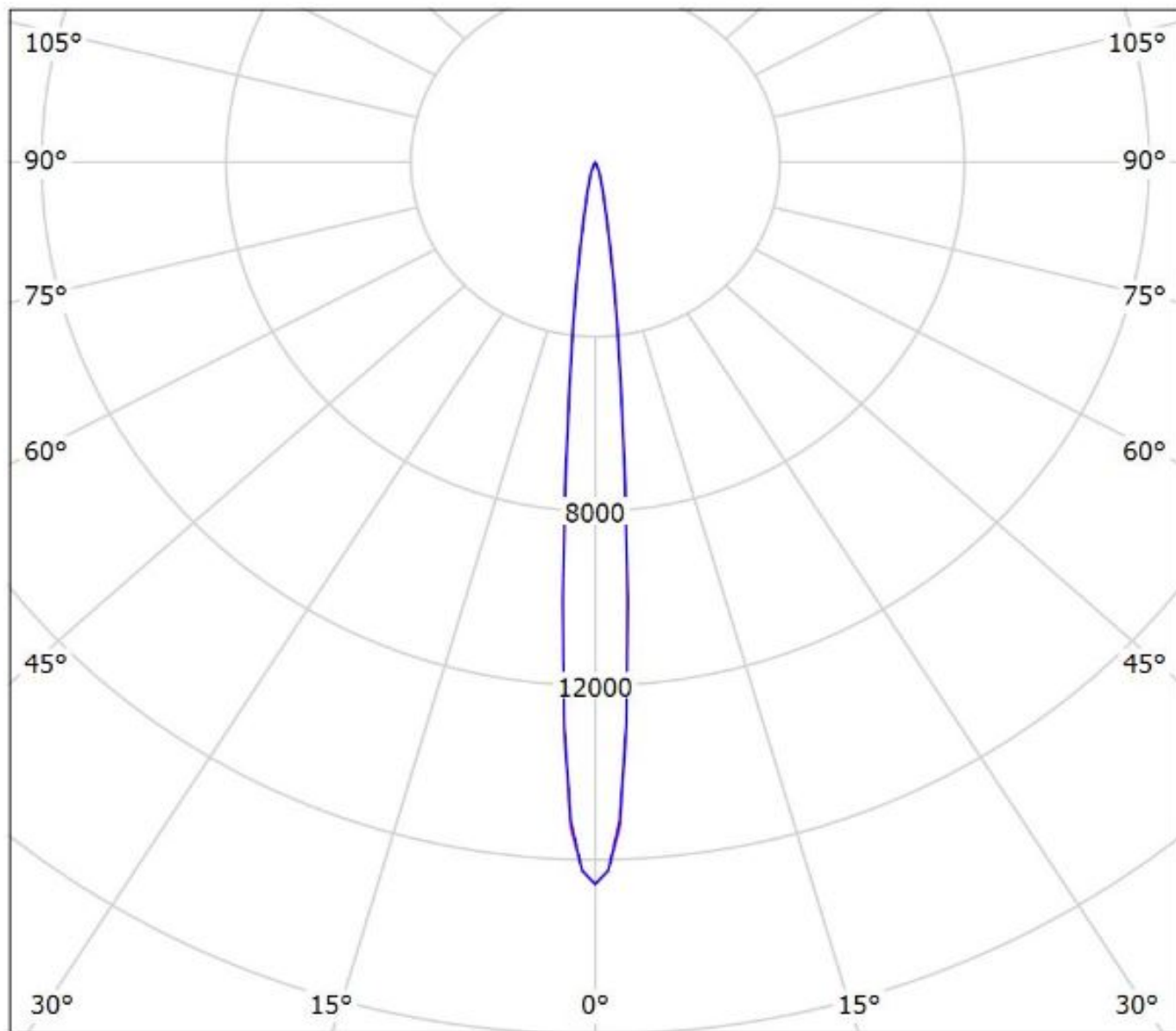
Luminaire: Ledil Oy CA11663_Heidi-RS-XP
Lamps: 1 x Cree XP-E 250mA 74lm



cd/klm

— C0 - C180 — C90 - C270

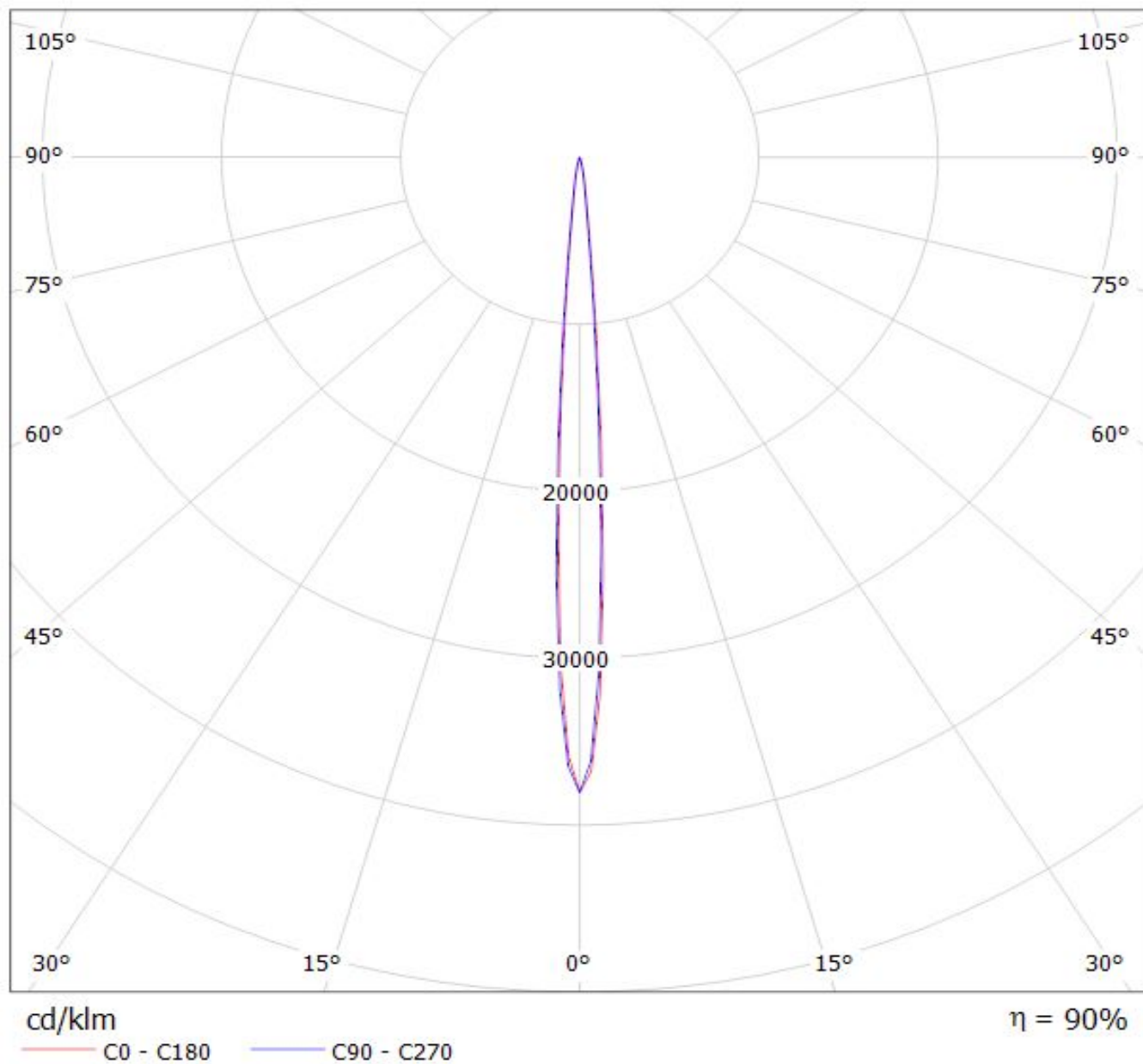
Luminaire: Ledil Oy CA11663_Heidi-RS-XP-G CA11663_Heidi-RS-XP-G
Lamps: 1 x Cree XP-G white



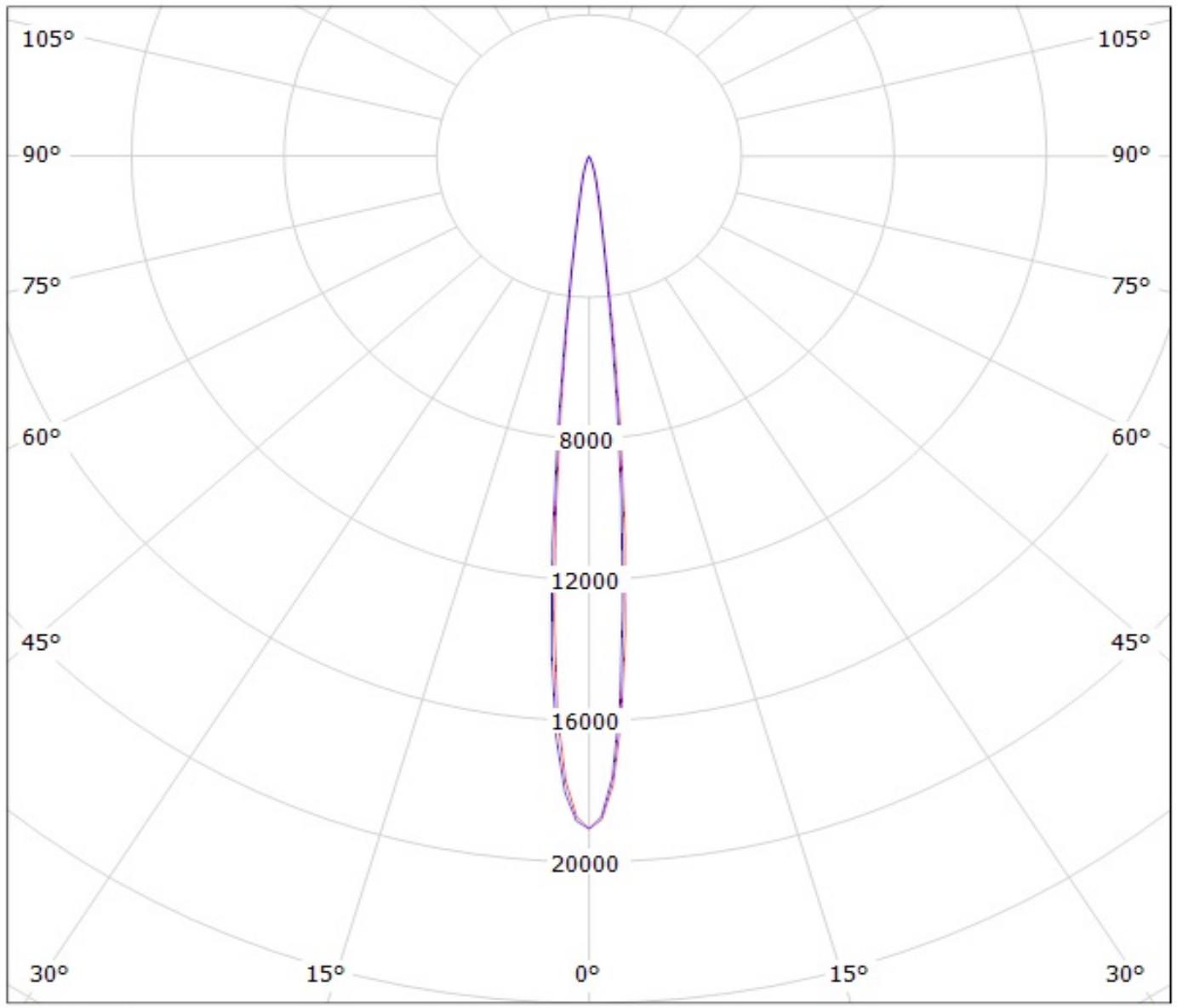
cd/klm

— C0 - C180 — C90 - C270

Luminaire: LEDiL Oy CA11663_HEIDI-RS_(XP-E2) Eff. 90%
Lamps: 1 x Cree XP-E2 92lm@250mA CCT:5500K P:0.8W



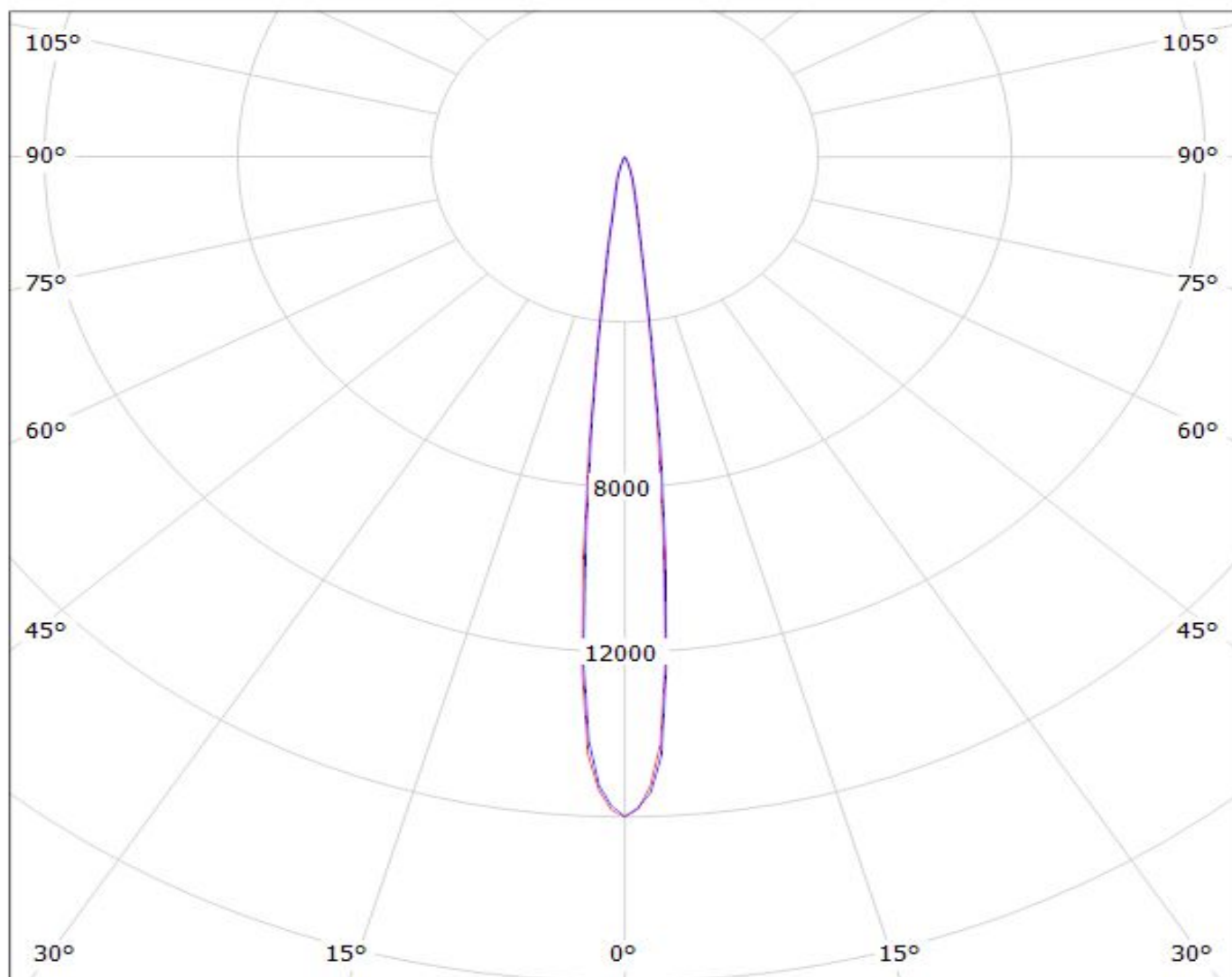
Luminaire: LEDil Oy CA11663_HEIDI-RS_(XP-G2) Efficiency=91%
Lamps: 1 x Cree XP-G2 (XPGBWT-L1-0000-00FE4) 100.7lm @ 250mA CCT=4900K P=0.7W I=250mA



cd/klm
— C0 - C180 — C90 - C270

LEDiL Oy CA11663_HEIDI-RS_(LUXEON_T)_1 Eff.91.7% / LDC (Polar)

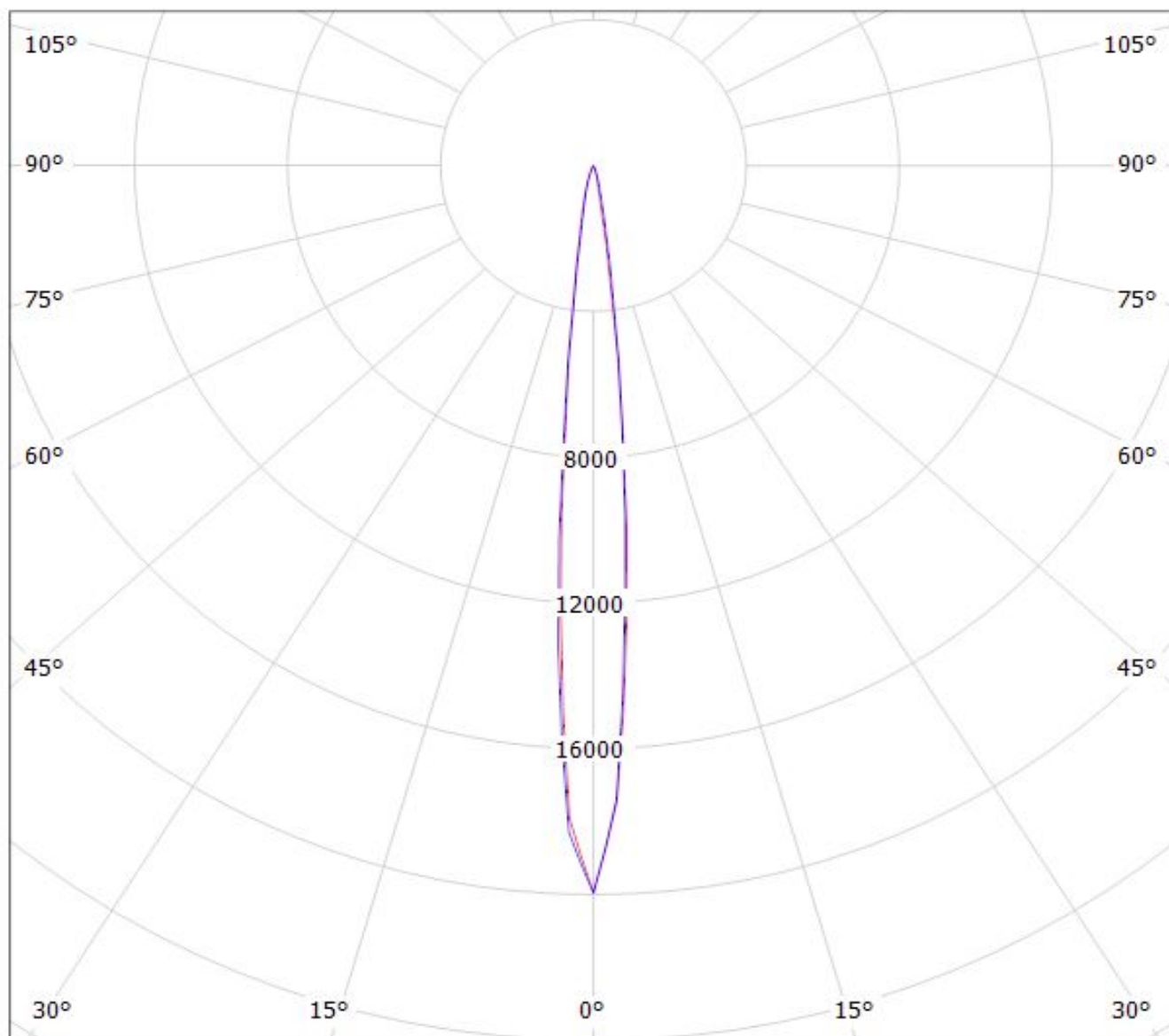
Luminaire: LEDiL Oy CA11663_HEIDI-RS_(LUXEON_T)_1 Eff.91.7%
Lamps: 1 x LUXEON T (74lm@250mA)



— C0 - C180 — C90 - C270

Luminaire: Ledil Oy CA11663_HEIDI-RS_(Luxeon_TX)

Lamps: 1 x Luxeon TX (L1T2-3585) 108lm @ 250mA CCT=3521K P=0.73W I=250mA



cd/klm

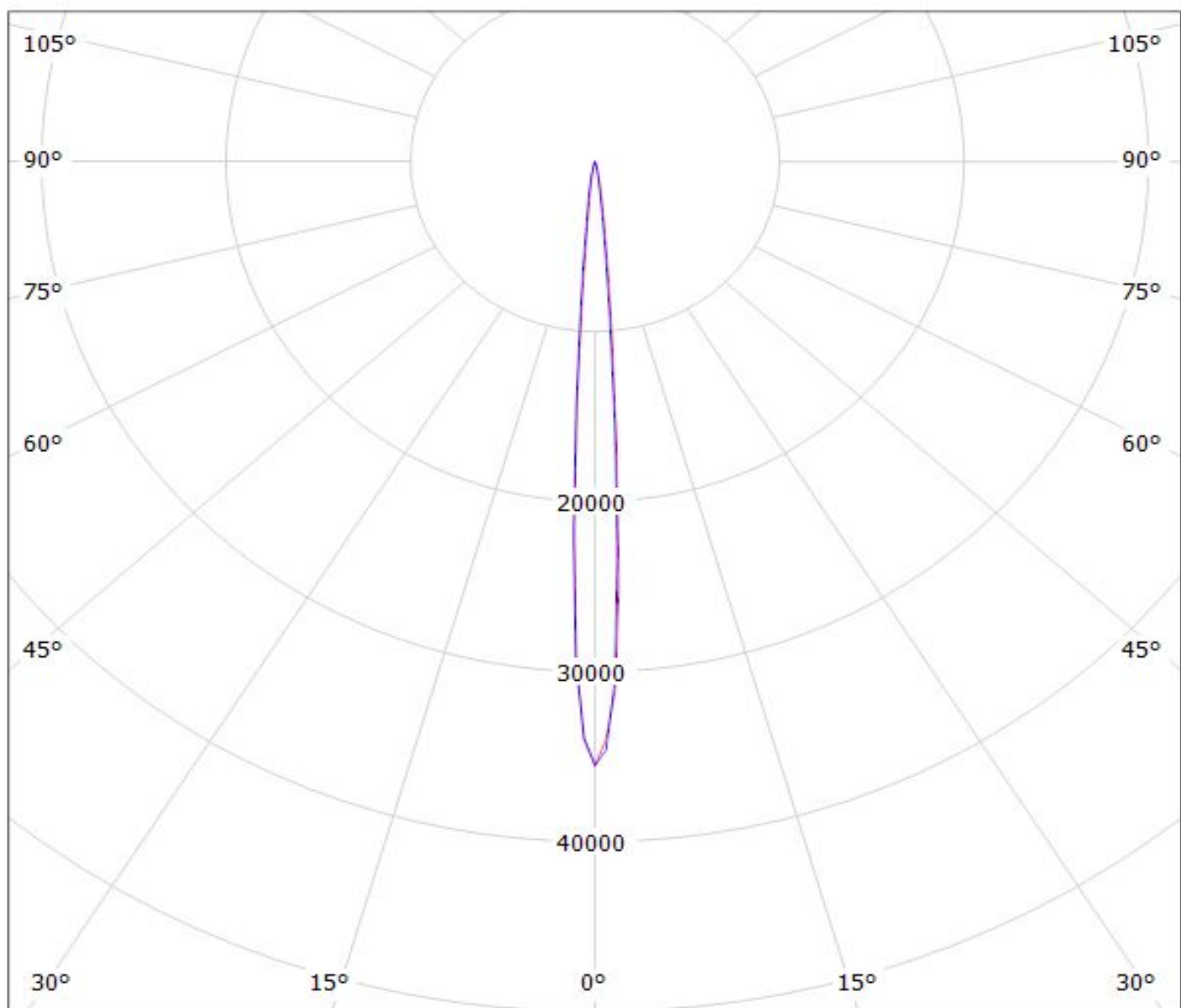
— C0 - C180

— C90 - C270

$\eta = 90\%$

Luminaire: LEDiL Oy CA11663_HEIDI-RS_(Luxeon_C_WHITE)

Lamps: 1 x Luxeon_C_WHITE_84.6969lm@250mA_P=0.7410W_I=0.250A



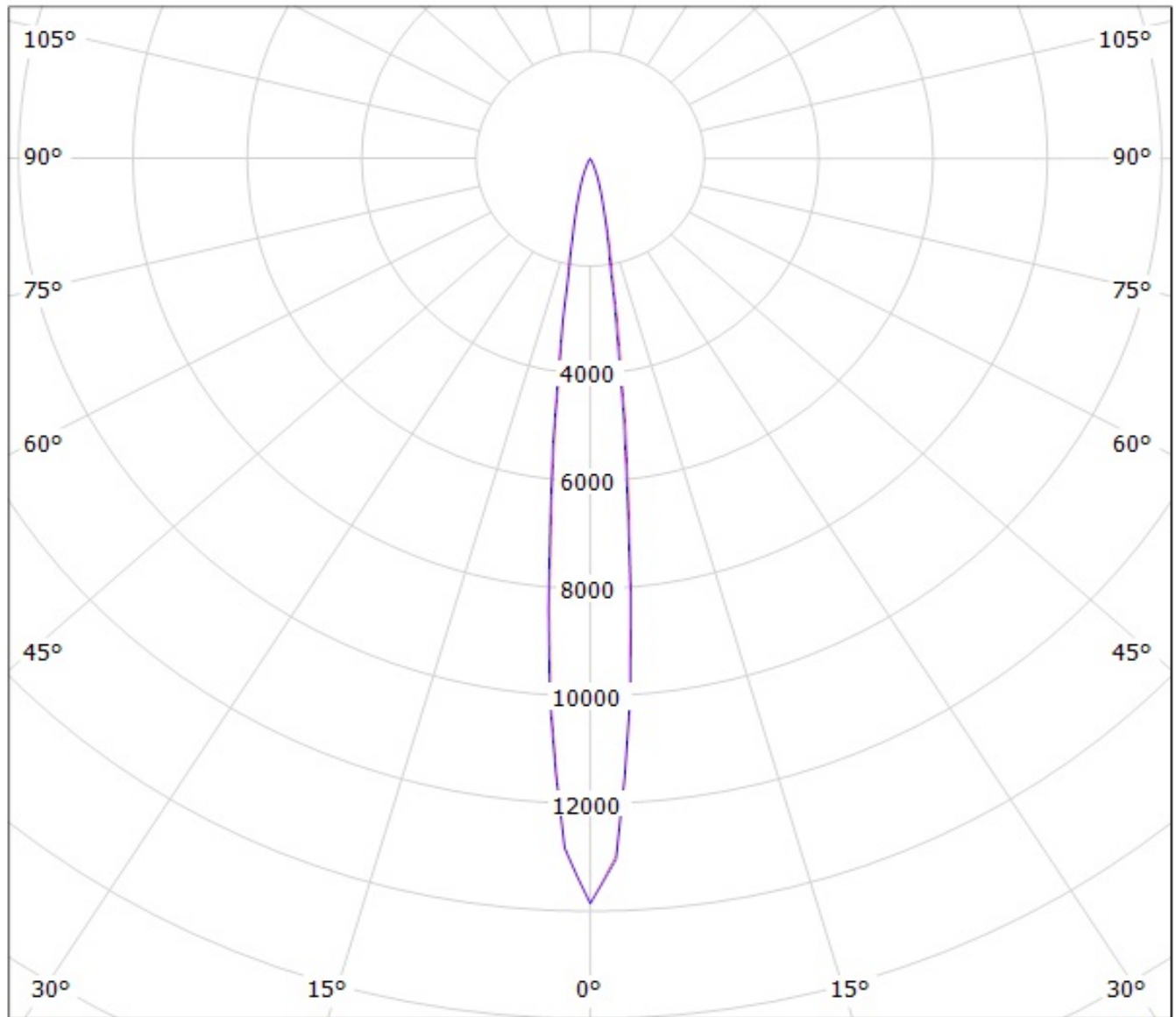
cd/klm

— C0 - C180

— C90 - C270

$\eta = 92\%$

Luminaire: Ledil Oy CA11663_HEIDI-RS (Nichia 219B 109lm @ 250mA) Efficiency=92%
Lamps: 1 x Nichia 219B 109lm @ 250mA



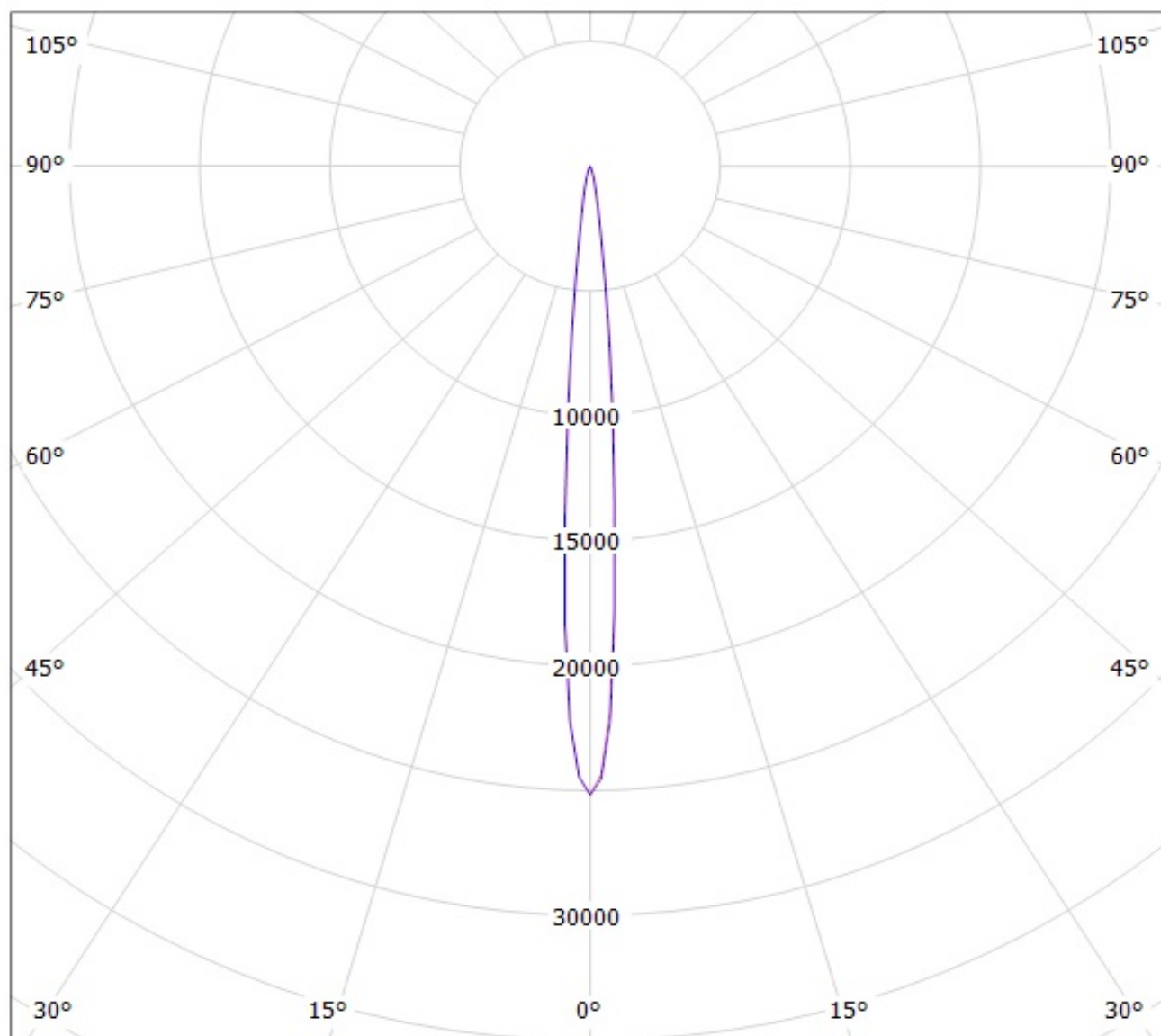
cd/klm

— C0 - C180

— C90 - C270

Luminaire: Ledil Oy CA11663_HEIDI-RS_(NCSxx19B) Efficiency=90%

Lamps: 1 x Nichia NCSxx19B (NCSL119BE) 88lm @ 250mA CCT=3000K P=0.8W I=250mA



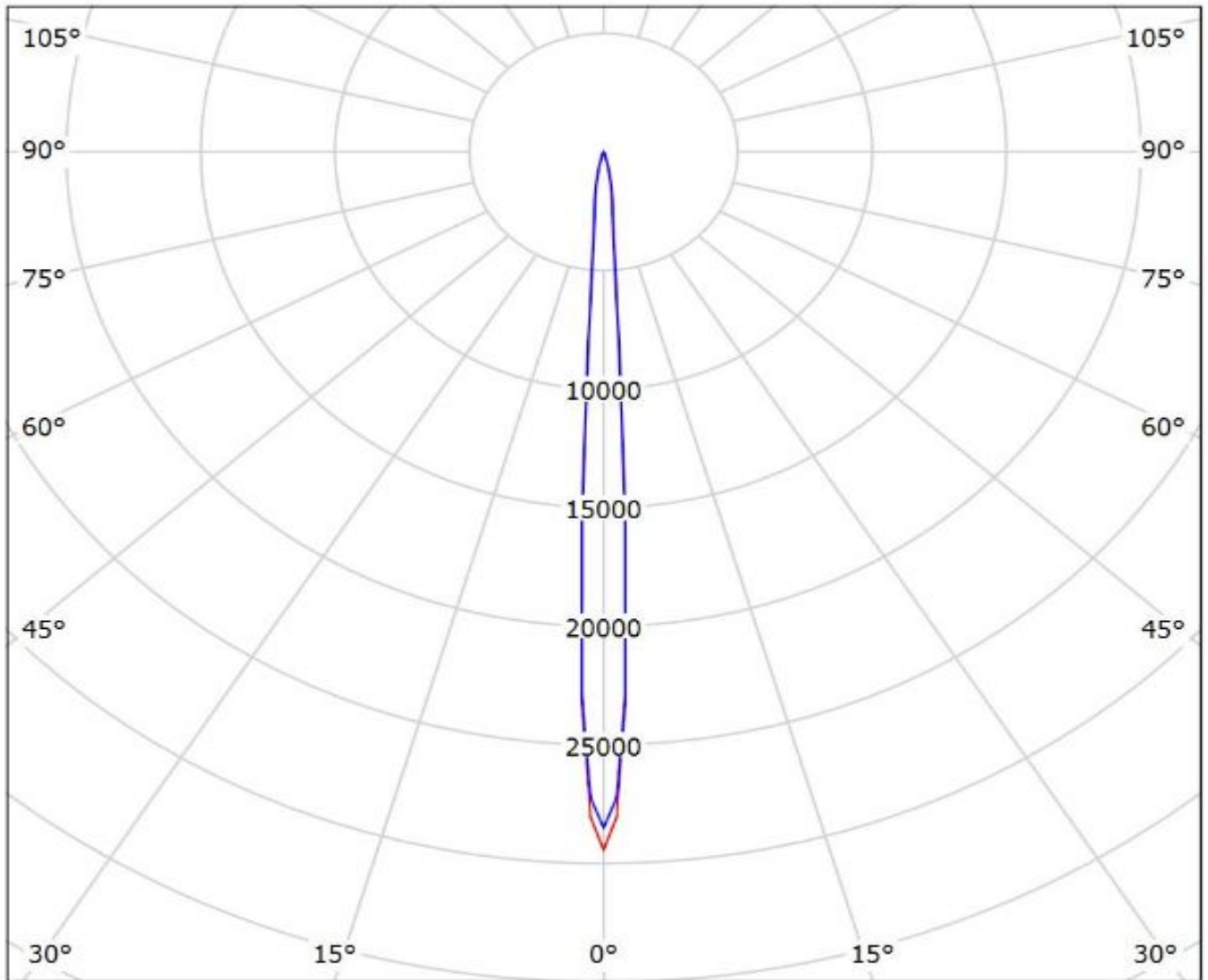
cd/klm

— C0 - C180

— C90 - C270

Ledil Oy CA11663_Heidi-RS-OS CA11663_Heidi-RS-OS / LDC (Polar)

Luminaire: Ledil Oy CA11663_Heidi-RS-OS CA11663_Heidi-RS-OS
Lamps: 1 x Osram Oslon 80 deg white

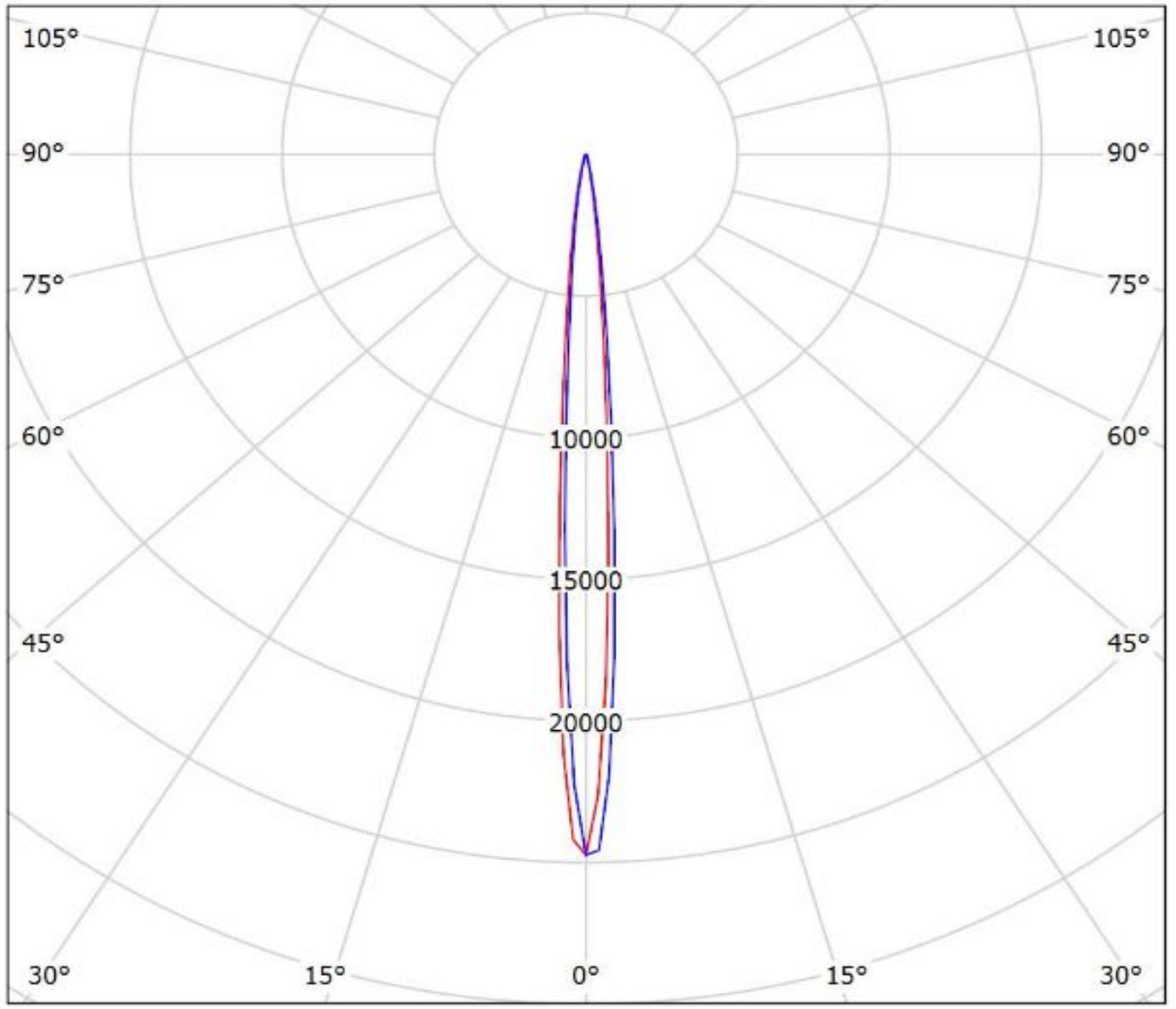


cd/klm

— C0 - C180

— C90 - C270

Luminaire: Ledil Oy <http://ledil.fi/node/2/p/3743> LOR=94%
Lamps: 1 x Osram OSL150 250mA 109lm



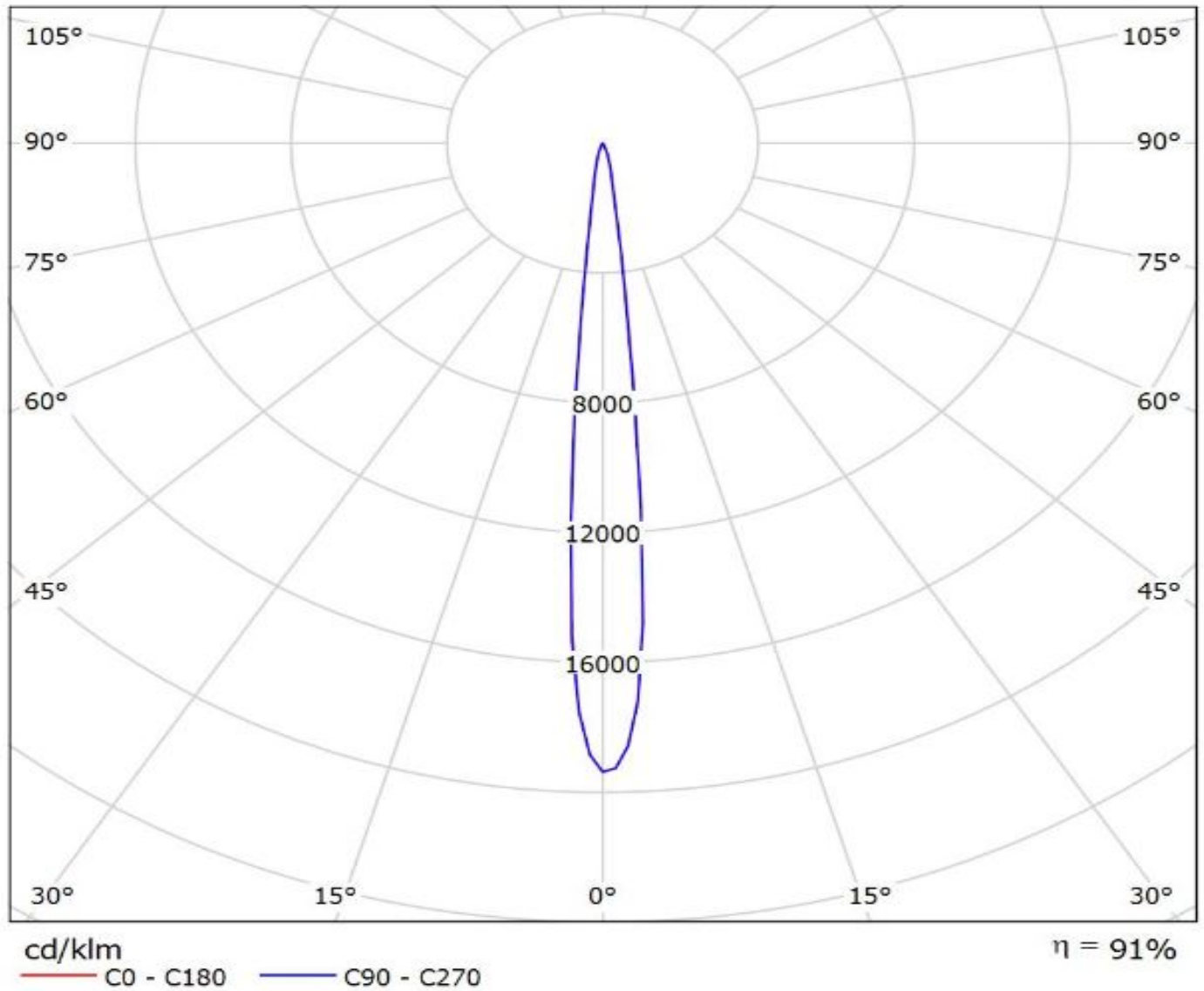
cd/klm

— C0 - C180

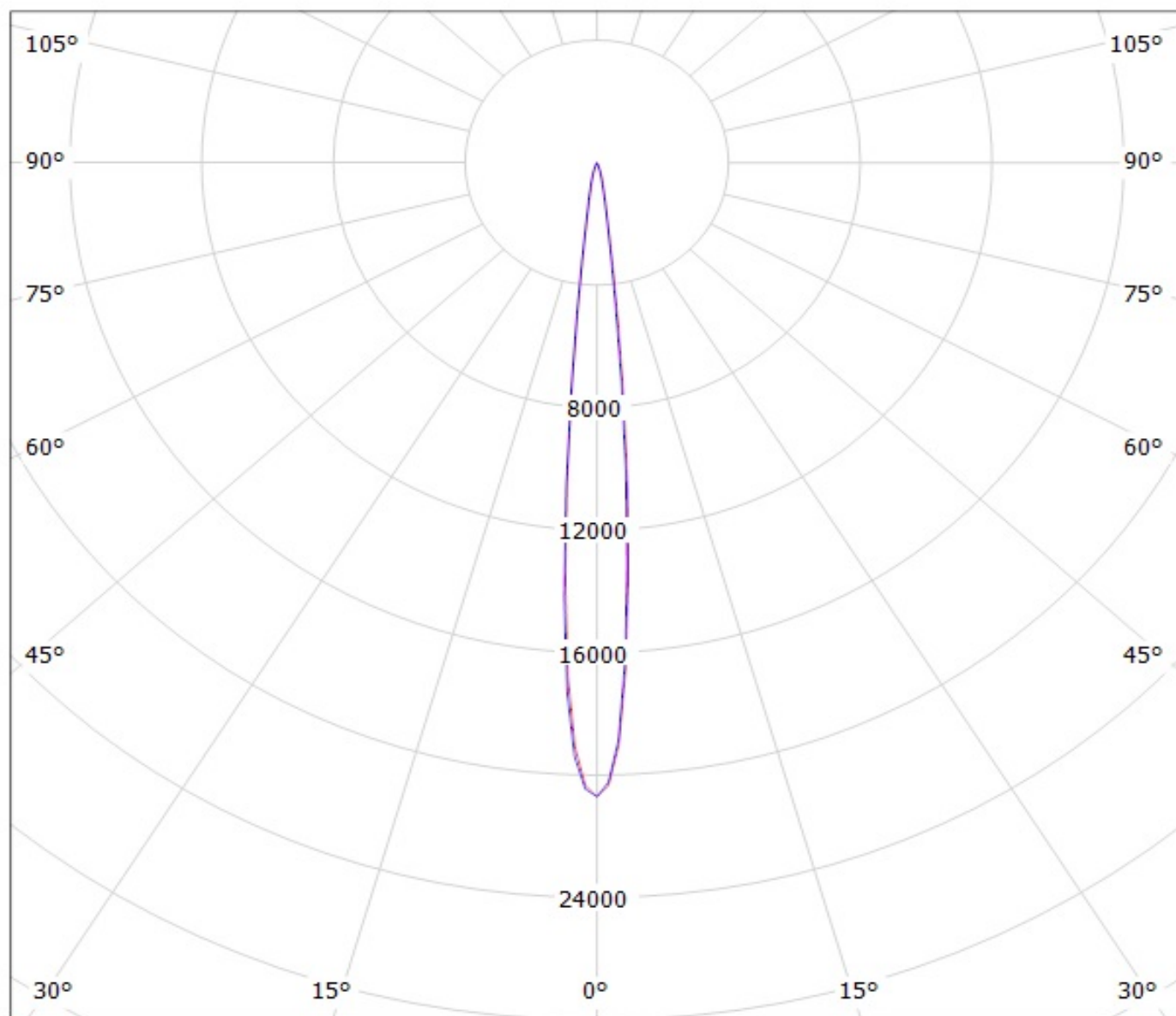
— C90 - C270

Ledil CA11663_HEIDI-RS_(Fortimo_FastFlex_LED_board 2x8/757_DS_G3) / LDC (Polar)

Luminaire: Ledil CA11663_HEIDI-RS_(Fortimo_FastFlex_LED_board 2x8/757_DS_G3)
Lamps: 1 x Philips_Fortimo_FastFlex_LED_board 2x8/757_DS_G3_(XP-G2)
_3428.78lm@500mA_P=23.7W_I=0.5A



Luminaire: Ledil Oy CA11663_HEIDI-RS_(LH351Z) Efficiency=89%
Lamps: 1 x Samsung LH351Z (90.14lm @ 250mA) CCT=6500K P=0.7W I=250mA



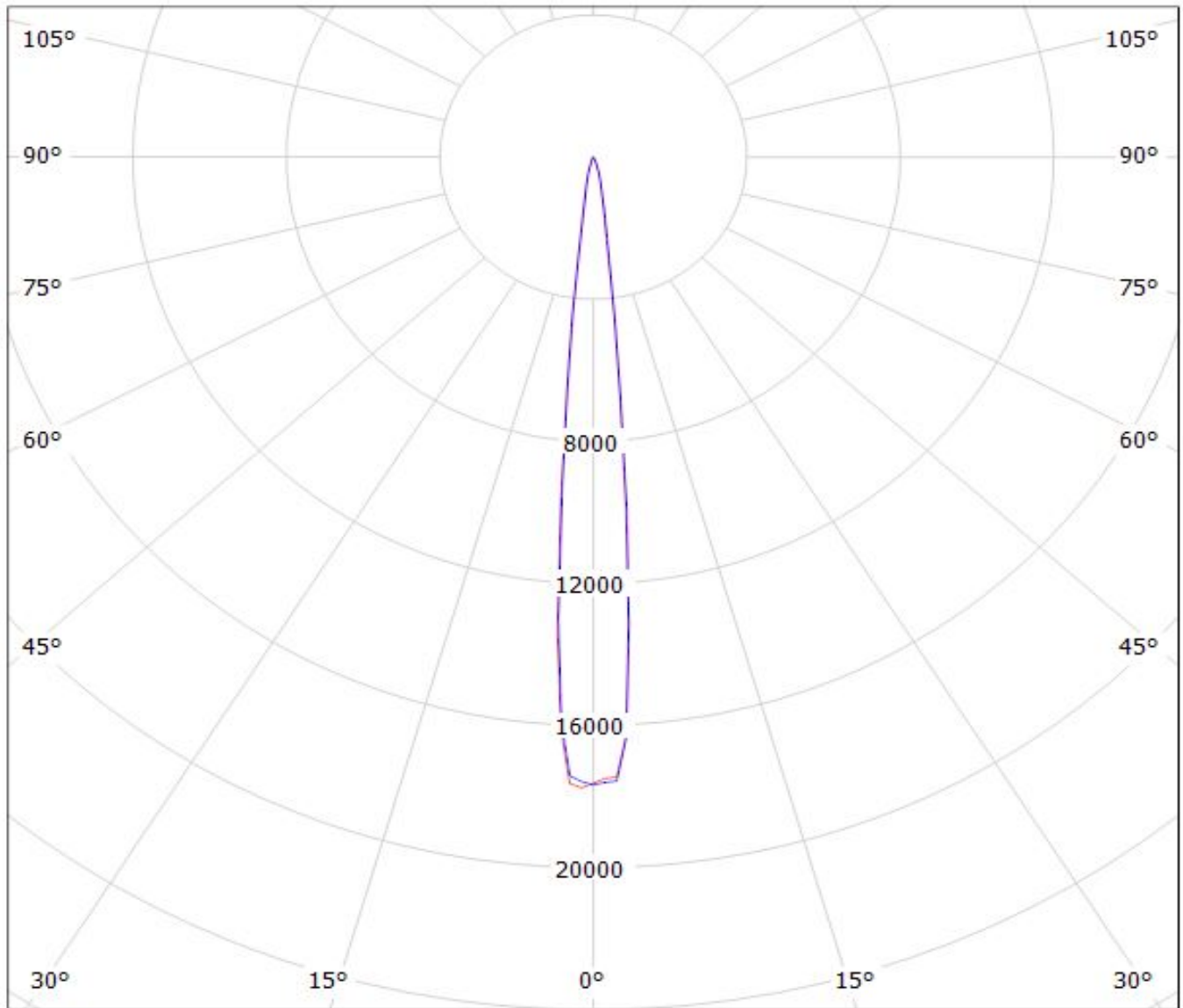
cd/klm

— C0 - C180

— C90 - C270

Luminaire: LEDiL Oy CA11663_HEIDI-RS_(Z5M1)

Lamps: 1 x Seoul_Z5M1_107.648lm@250mA_CCT=9074K_P=0.739754W_I=249.9mA



cd/klm

η = 95%

— C0 - C180

— C90 - C270

NOTE: The typical divergence will be changed by different color, chip size and chip position tolerance. The typical total divergence is the full angle measured where the luminous intensity is half of the peak value.