



Ordering number CA11663_HEIDI-RS

Family	Heidi	FWHM	9 degrees
Type	Lens	Efficiency	93 %
LED	XP-G	cd/lm	16.600
Color	Transparent	Gerber File	Available
Diameter	21.6 mm		
Height	11.7 mm		
Style	Round		
Optic Material	PMMA		
Holder Material	-		
Fastening	Pin, tape		
Status	Ready		



Ordering number CA11267_HEIDI-O-90

Family	Heidi	FWHM	10+52 degrees
Type	Lens	Efficiency	87 %
LED	XP-G	cd/lm	3.250
Color	Transparent	Gerber File	Available
Diameter	21.6 mm		
Height	11.7 mm		
Style	Round		
Optic Material	PMMA		
Holder Material	-		
Fastening	Pin, tape		
Status	Ready		



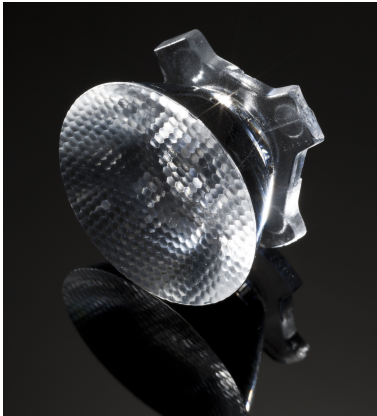
Ordering number CA11264_HEIDI-D

Family	Heidi	FWHM	12 degrees
Type	Lens	Efficiency	93 %
LED	XP-G	cd/lm	14.500
Color	Transparent	Gerber File	Available
Diameter	21.6 mm		
Height	11.7 mm		
Style	Round		
Optic Material	PMMA		
Holder Material	-		
Fastening	Pin, tape		
Status	Ready		



Ordering number CA11266_HEIDI-O

Family	Heidi	FWHM	14+47 degrees
Type	Lens	Efficiency	87 %
LED	XP-G	cd/lm	3.250
Color	Transparent	Gerber File	Available
Diameter	21.6 mm		
Height	11.7 mm		
Style	Round		
Optic Material	PMMA		
Holder Material	-		
Fastening	Pin, tape		
Status	Ready		



Ordering number CA12242_HEIDI-SS

Family	Heidi	FWHM	16 degrees
Type	Lens	Efficiency	92 %
LED	XP-G	cd/lm	5.900
Color	Transparent	Gerber File	Available
Diameter	21.6 mm		
Height	11.7 mm		
Style	Round		
Optic Material	PMMA		
Holder Material	-		
Fastening	Pin, tape		
Status	Ready		



Ordering number CA11265_HEIDI-M

Family	Heidi	FWHM	28 degrees
Type	Lens	Efficiency	92 %
LED	XP-G	cd/lm	3.300
Color	Transparent	Gerber File	Available
Diameter	21.6 mm		
Height	11.7 mm		
Style	Round		
Optic Material	PMMA		
Holder Material	-		
Fastening	Pin, tape		
Status	Ready		



Ordering number CA11268_HEIDI-W

Family	Heidi	FWHM	31 degrees
Type	Lens	Efficiency	92 %
LED	XP-G	cd/lm	2.460
Color	Transparent	Gerber File	Available
Diameter	21.6 mm		
Height	11.7 mm		
Style	Round		
Optic Material	PMMA		
Holder Material	-		
Fastening	Pin, tape		
Status	Ready		



Ordering number CA12079_HEIDI-W2

Family	Heidi	FWHM	44 degrees
Type	Lens	Efficiency	81 %
LED	XP-G	cd/lm	1.110
Color	Transparent	Gerber File	Available
Diameter	21.6 mm		
Height	11.5 mm		
Style	Round		
Optic Material	PMMA		
Holder Material	-		
Fastening	Pin, tape		
Status	Ready		



PRODUCT DATASHEET

Heidi series

last update 11/6/2012



NOTE: The typical divergence will be changed by different color, chip size and chip position tolerance. The typical total divergence is the full angle measured where the luminous intensity is half of the peak value.



PRODUCT DATASHEET

Heidi series

last update 11/6/2012



GENERAL INFORMATION

- Product series especially designed & optimized for XP-G series of LEDs.
- Special care taken to make light distribution as uniform as possible.
- Lens material optical grade PMMA with high UV and temperature resistance (105 degrees of Celcius / 220 degrees of Fahrenheit). Allows use of high current and temperature conditions.

Please find more information about used material from below:

http://ledil.fi/sites/default/files/Documents/Technical/Material/PMMA%20N%20UL94_Yellow%20Card.pdf

<http://ledil.fi/sites/default/files/Documents/Technical/Material/PMMA%20N%20PLEXIGLAS-Datasheet.pdf>

- Fastening to heat sink with a PU foam adhesive tape of automotive grade. Please find fastening details by clicking link: http://www.ledil.com/datasheets/DataSheet_TAPE.pdf

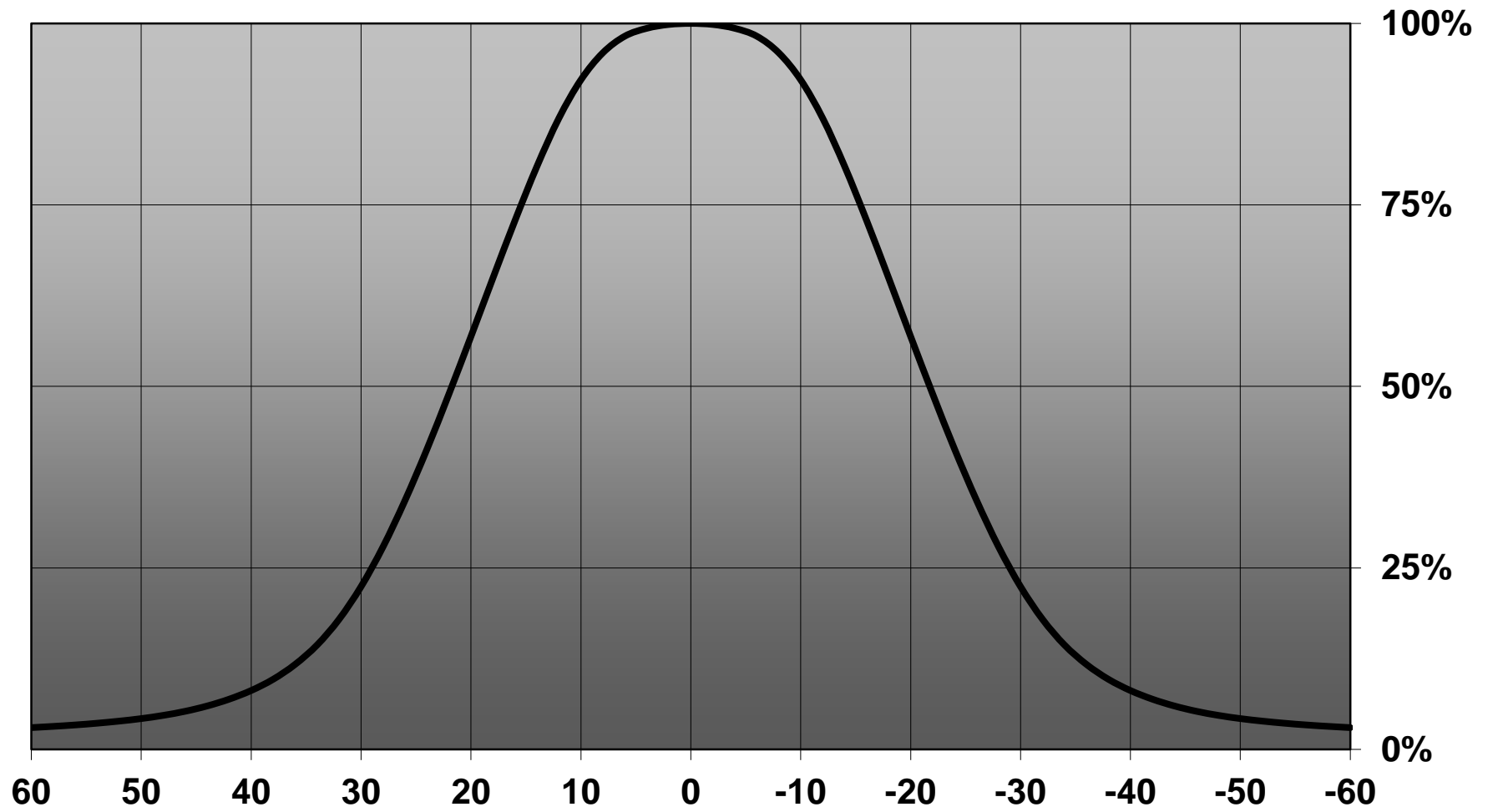
NOTE 1: We advise customer to ensure the suitability and sufficiency of the bond in the end product. For example, mechanical stress, vibration and holes on the surface of the circuit board weaken the strength of the tape.

NOTE 2: Assembly to the surface must be made straight, so the tape bonds constant and balanced with fastening surface. Slanted assembly might cause unbalanced bond to the surface. All surfaces where tape is applied must be clean, dry and free from grease and dirt.

If cleaning of PCB surfaces is needed, please follow strictly the cleaning instructions of your LED manufacturer - this is important as cleaning shall under no circumstances damage LEDs or other electronics components on the PCB.

Further note that optical components shall not be cleaned with any chemicals - only micro fiber cloth may be used to remove fingerprints or other traces from handling.

Relative intensity of CA12079_Heidi-W2-XP-G



D

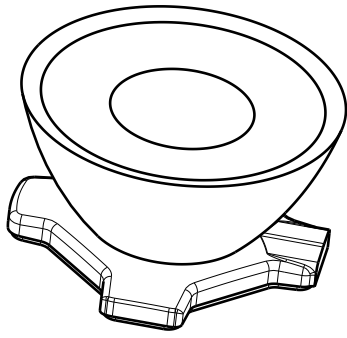
C

B

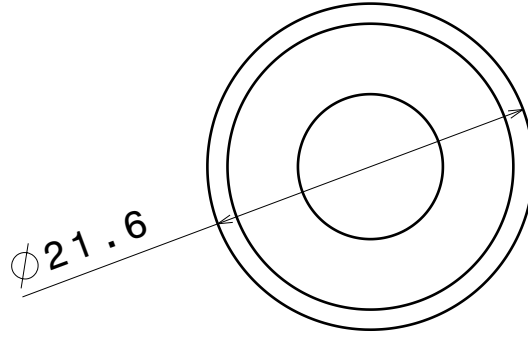
A

4

4



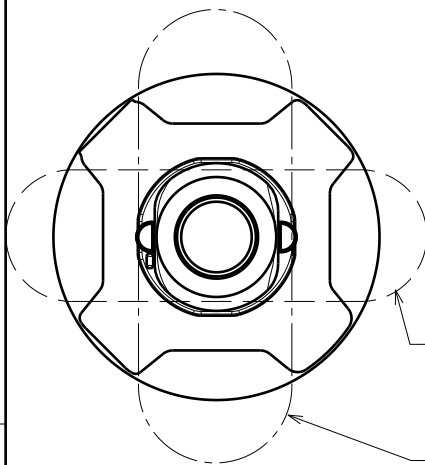
Isometric view



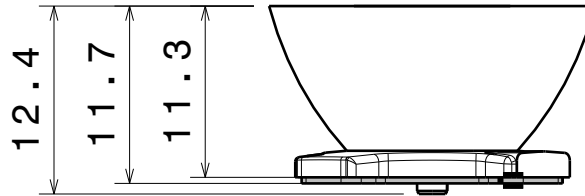
Top view

3

3



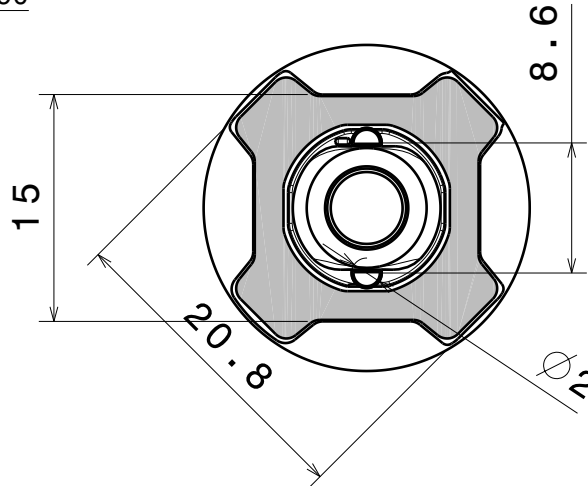
Bottom view
OVAL BEAM direction



Front view

2

2



Bottom view

Material:
Lens PMMA
Tape PU Foam

This drawing is our property.
It can't be reproduced
or communicated without
our written agreement.



Ledil Oy
Salorankatu 10
FIN-24100 SALO
Finland

DRAWING TITLE

Datasheet Heidi-Series Assy

1

1

DRAWN BY
ah

DATE
1.2.2012

CHECKED BY

DATE

SIZE
A4

DRAWING NUMBER

REV
2

DESIGNED BY

DATE

SCALE 2:1 WEIGHT (g)

SHEET 1/1

D

A