


**Product number C14501\_STRADELLA-T3**

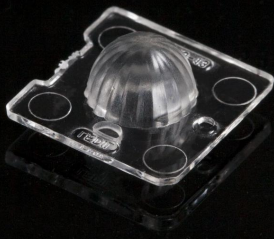
Family	Stradella	FWHM	(simulated) Asymmetric
Type	Lens	Efficiency	(simulated) 94 %
LED	Z5M1/Z5M2	cd/lm	(simulated) 0.590
Color	Clear	Gerber File	Available
Diameter	13.9 x 13.9 mm		
Height	4.96 mm		
Style	Square		
Optic Material	PMMA		
Holder Material	-		
Fastening	["pin", "glue"]		
Status	Production ready		


**Product number C14502\_STRADELLA-T2**

Family	Stradella	FWHM	(simulated) Asymmetric
Type	Lens	Efficiency	(simulated) 94 %
LED	Z5M1/Z5M2	cd/lm	(simulated) 0.710
Color	Clear	Gerber File	Available
Diameter	13.9 x 13.9 mm		
Height	4.96 mm		
Style	Square		
Optic Material	PMMA		
Holder Material	-		
Fastening	["glue", "pin"]		
Status	Production ready		


**Product number C15245\_STRADELLA-HB-S**

Family	Stradella	FWHM	(simulated) 27
Type	Lens array	Efficiency	(simulated) 94 %
LED	Z5M1/Z5M2	cd/lm	(simulated) 2.000
Color	Clear	Gerber File	Available
Diameter	13.9+13.9 mm		
Height	7.5 mm		
Style	Rectang		
Optic Material	PMMA		
Holder Material	-		
Fastening	""		
Status	Production ready		


**Product number C15246\_STRADELLA-HB-M**

Family	Stradella	FWHM	(simulated) 64
Type	Lens array	Efficiency	(simulated) 94 %
LED	Z5M1/Z5M2	cd/lm	(simulated) 0.660
Color	Clear	Gerber File	Available
Diameter	13.9+13.9 mm		
Height	5.68 mm		
Style	Rectang		
Optic Material	PMMA		
Holder Material	-		
Fastening	""		
Status	Production ready		

**Product number** C16006\_STRADELLA-T1-A

Family	Stradella	FWHM	(simulated) Asymmetric
Type	Lens	Efficiency	(simulated) 94 %
LED	Z5M1/Z5M2	cd/lm	(simulated) 1.009
Color	Clear	Gerber File	Available
Diameter	13.9x13.9 mm		
Height	5.32 mm		
Style	Square		
Optic Material	PMMA		
Holder Material	-		
Fastening	["glue", "pin"]		
Status	Production ready		

**NOTE: The typical divergence will be changed by different color, chip size and chip position tolerance. The typical total divergence is the full angle measured where the luminous intensity is half of the peak value.**



## PRODUCT DATASHEET

### Stradella series

last update 12/5/2017

#### GENERAL INFORMATION

- Product series especially designed & optimized for Z5M1/Z5M2 series of LEDs.
- Special care taken to make light distribution as uniform as possible.
- Lens material optical grade PMMA with high UV and temperature resistance. Allows use of high current and temperature conditions.

Please find more information about used material from below:

[http://ledil.fi/sites/default/files/Documents/Technical/Material/PMMA%20N%20UL94\\_Yellow%20Card.pdf](http://ledil.fi/sites/default/files/Documents/Technical/Material/PMMA%20N%20UL94_Yellow%20Card.pdf)

<http://ledil.fi/sites/default/files/Documents/Technical/Material/PMMA%20N%20PLEXIGLAS-Datasheet.pdf>

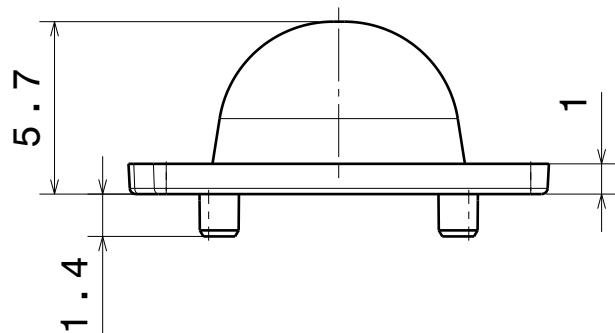
D

C

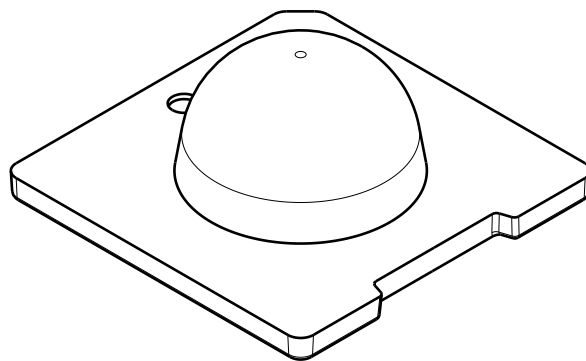
B

A

4

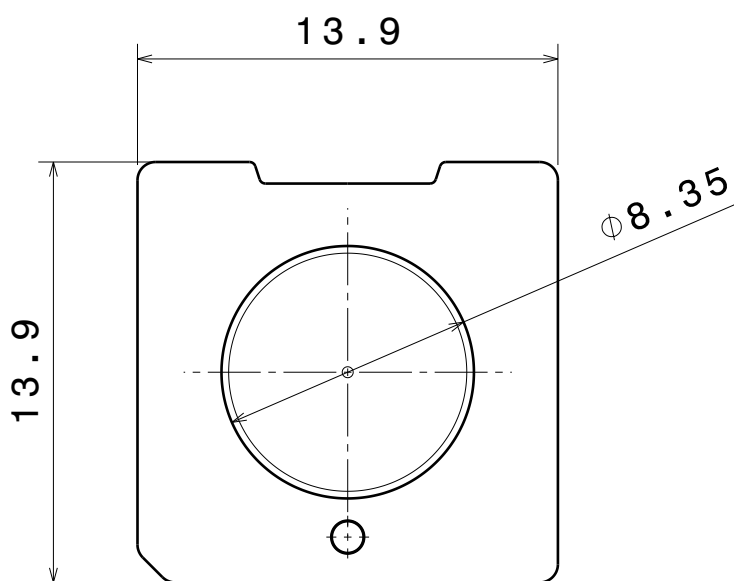


Front view

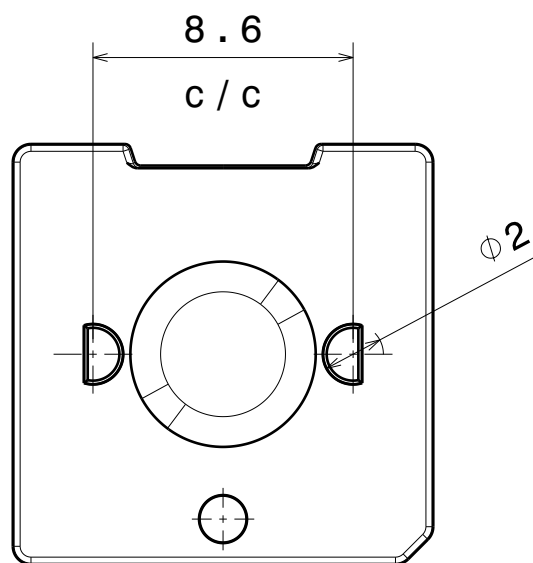


Isometric view

3



Top view



Bottom view

2

2

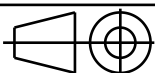
INDEX	PART NO	DESCRIPTION	MATERIAL	COLOUR
1	C15246	STRADELLA-HB-M	PMMA	

Tolerances if not otherwise shown  
According to DIN ISO 2768-1  
Linear measures:  
Up to 30mm class M, otherwise class C.  
According to DIN ISO 2768-2  
Form and position: class L

LEDiL

Ledil Oy  
Salorankatu 10  
FIN 24240 SALO  
Finland

THIRD ANGLE PROJECTION:



DRAWING TITLE

C15246\_STRADELLA-HB-M

This drawing is the property  
of LEDiL Oy. It may not be  
reproduced, copied or  
communicated without a written  
agreement with LEDiL Oy.

SIZE PART NUMBER

A4

C15246

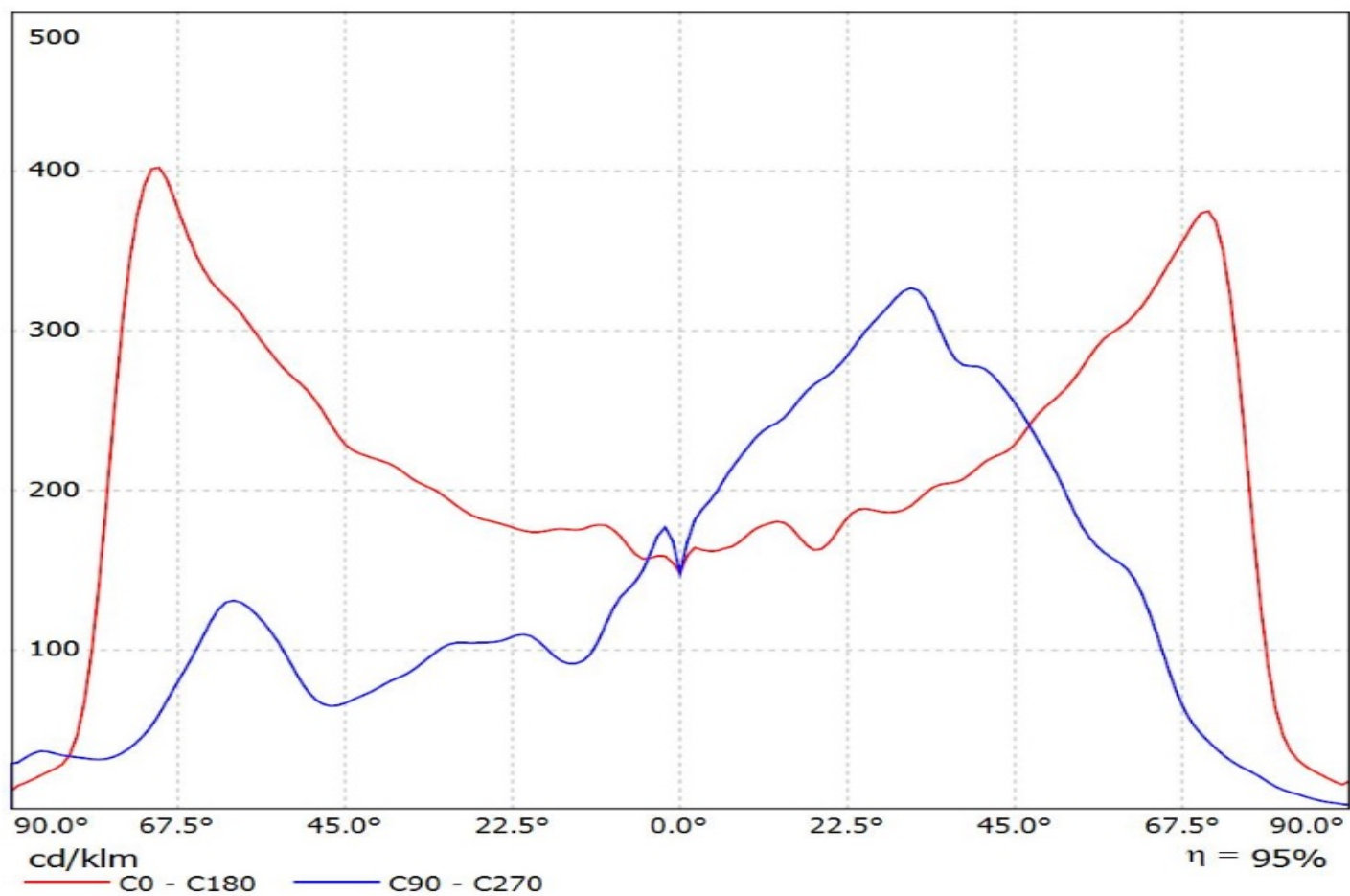
SCALE	1:1	WEIGHT	0,5 g	SHEET	1/1
-------	-----	--------	-------	-------	-----

D

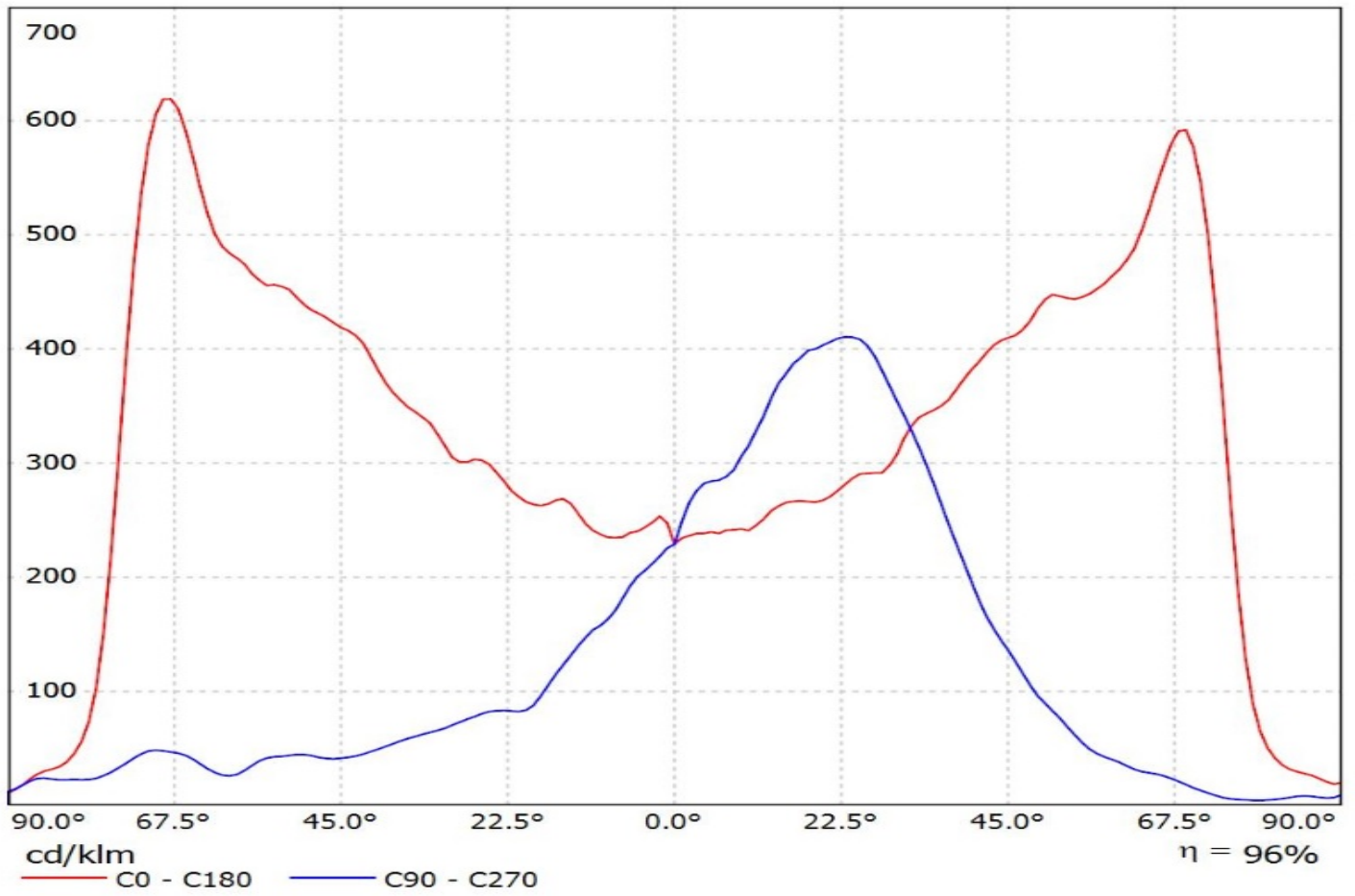
A

1

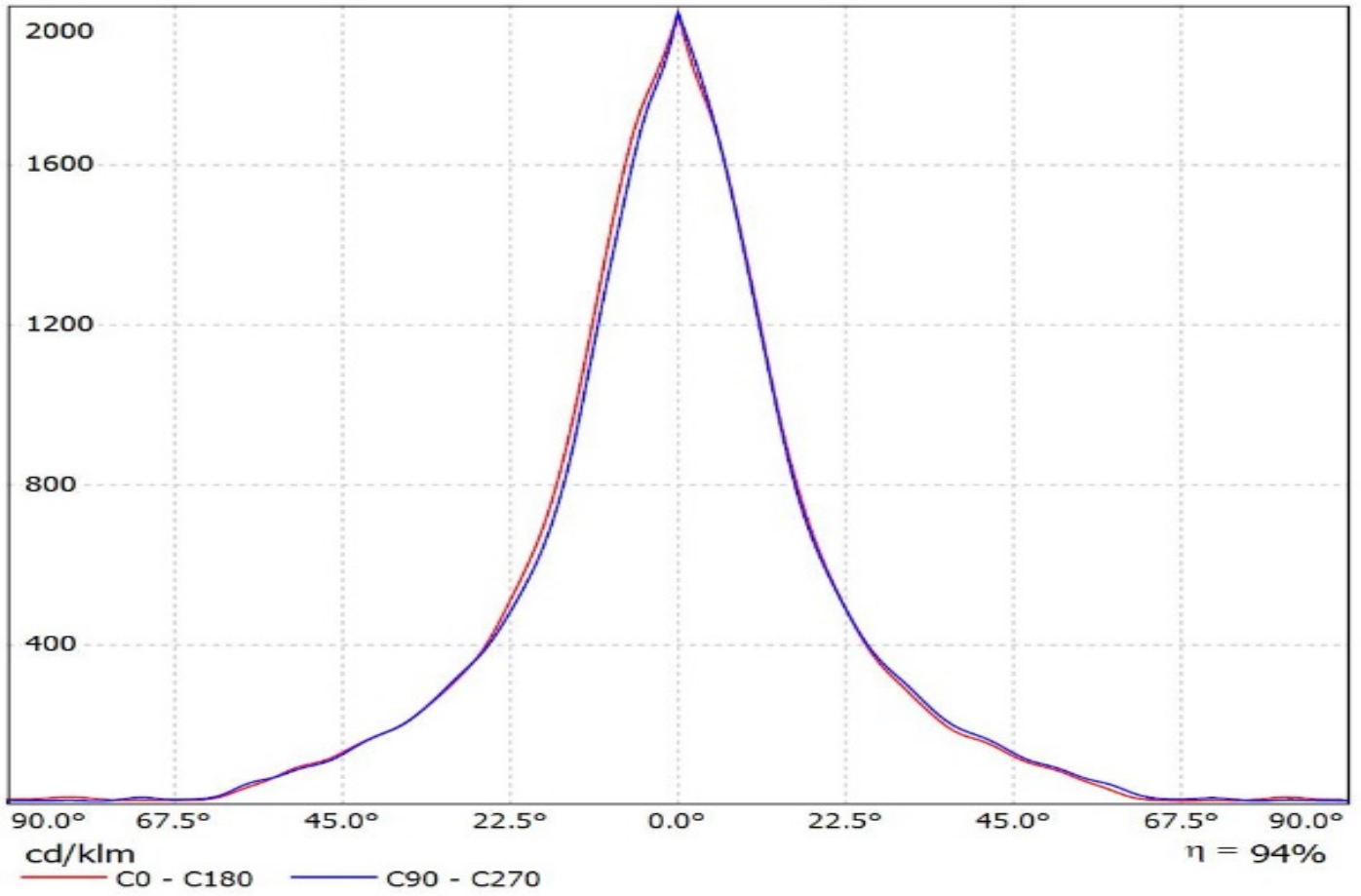
Luminaire: Ledil Oy C14501\_STRADELLA-T3\_(Z5M2)\_SIMULATED  
Lamps: 1 x Seoul Z5M2 - SZ5-M2-W0-00



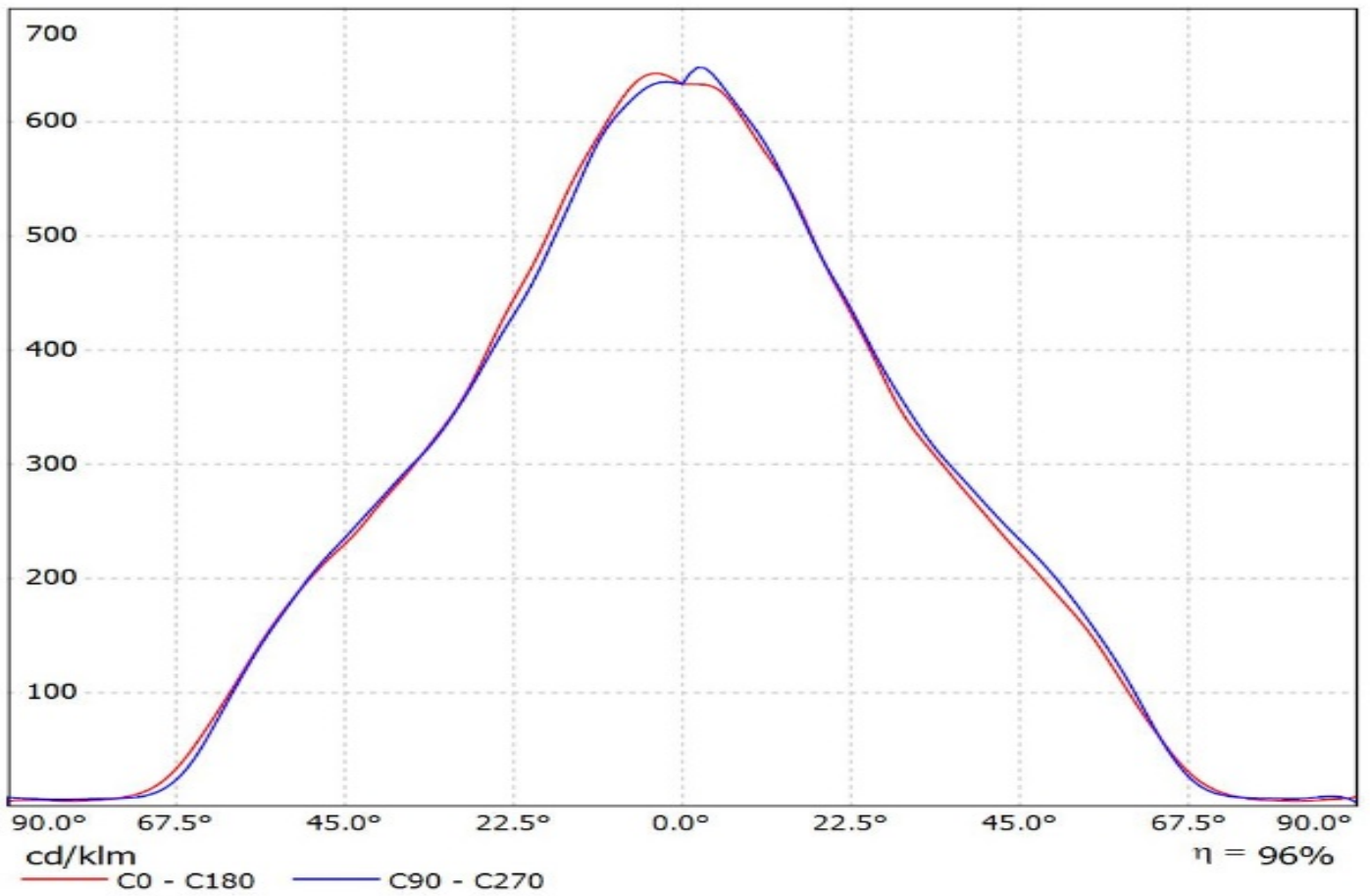
Luminaire: Ledil Oy C14502\_STRADELLA-T2\_(Z5M2)\_SIMULATED  
Lamps: 1 x Seoul Z5M2 - SZ5-M2-W0-00



Luminaire: Ledil Oy C15245\_STRADELLA-HB-S\_(Z5M2)\_SIMULATED  
Lamps: 1 x Seoul SZ5-M2-W0-00



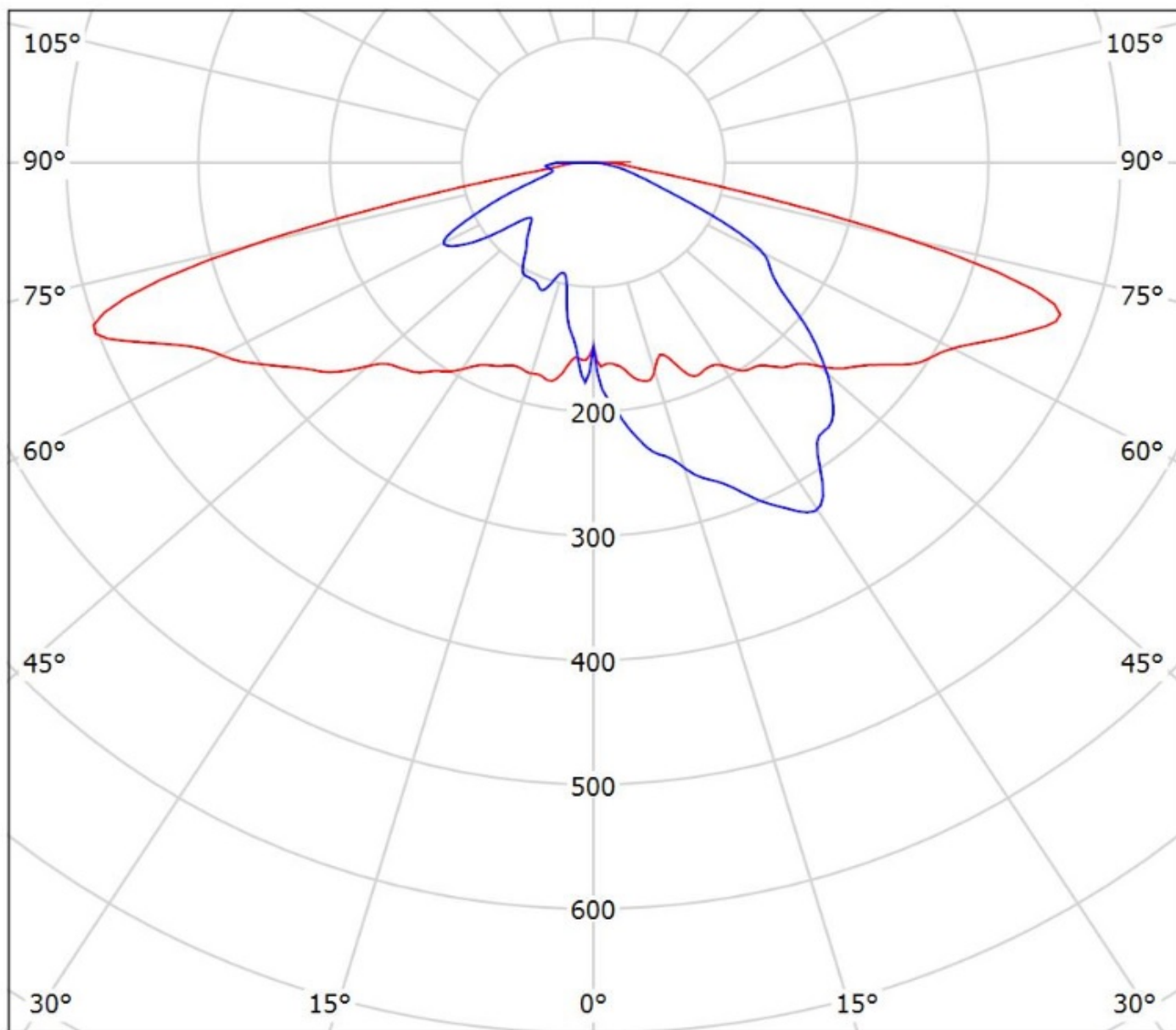
Luminaire: Ledil Oy C15246\_STRADELLA-HB-M\_(Z5M2)\_SIMULATED  
Lamps: 1 x Seoul Z5M2 - SZ5-M2-W0-00





Luminaire: Ledil Oy C14501\_STRADELLA-T3\_(Z5M2)\_SIMULATED

Lamps: 1 x Seoul Z5M2 - SZ5-M2-W0-00

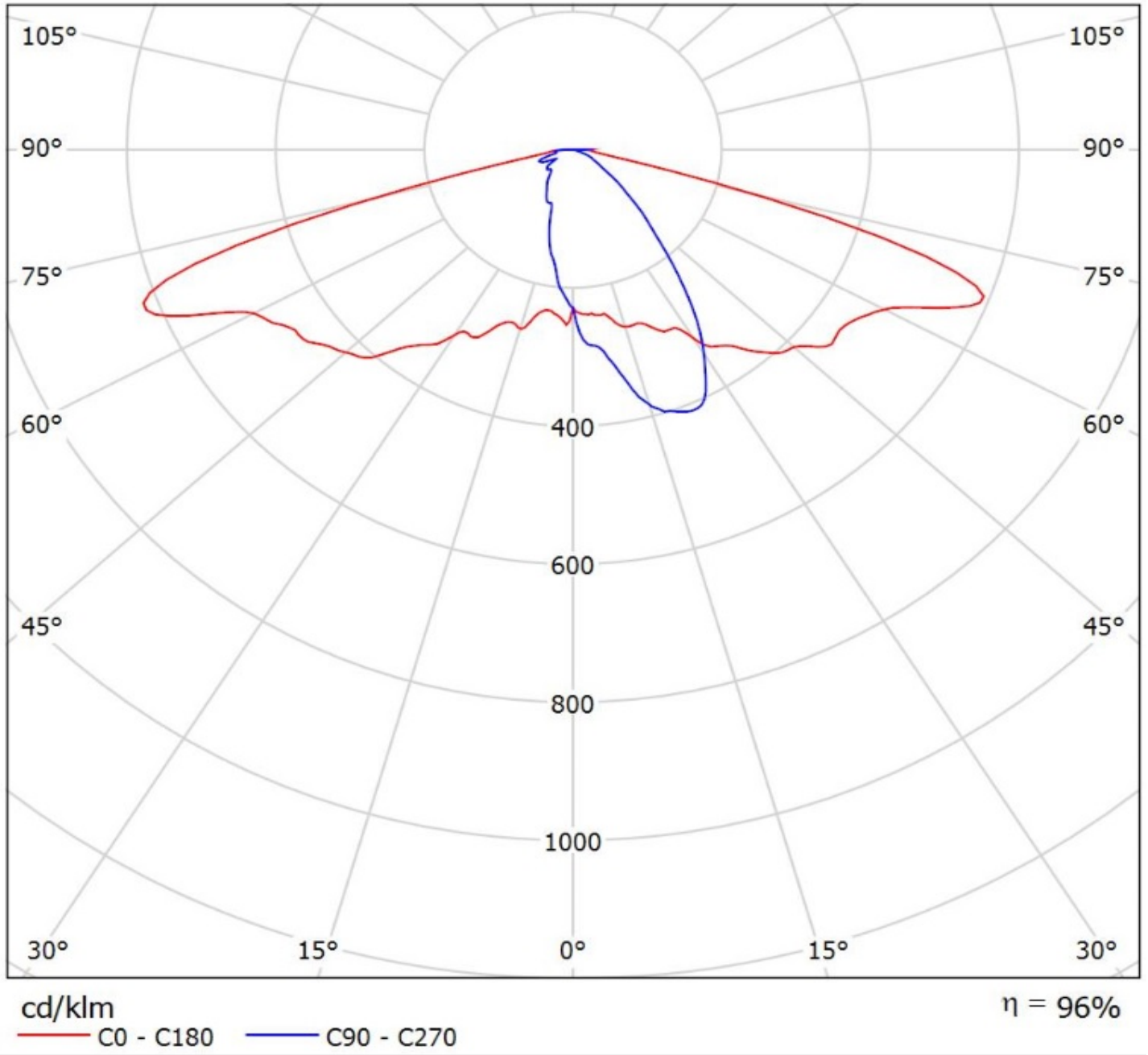


cd/klm

— C0 - C180 — C90 - C270

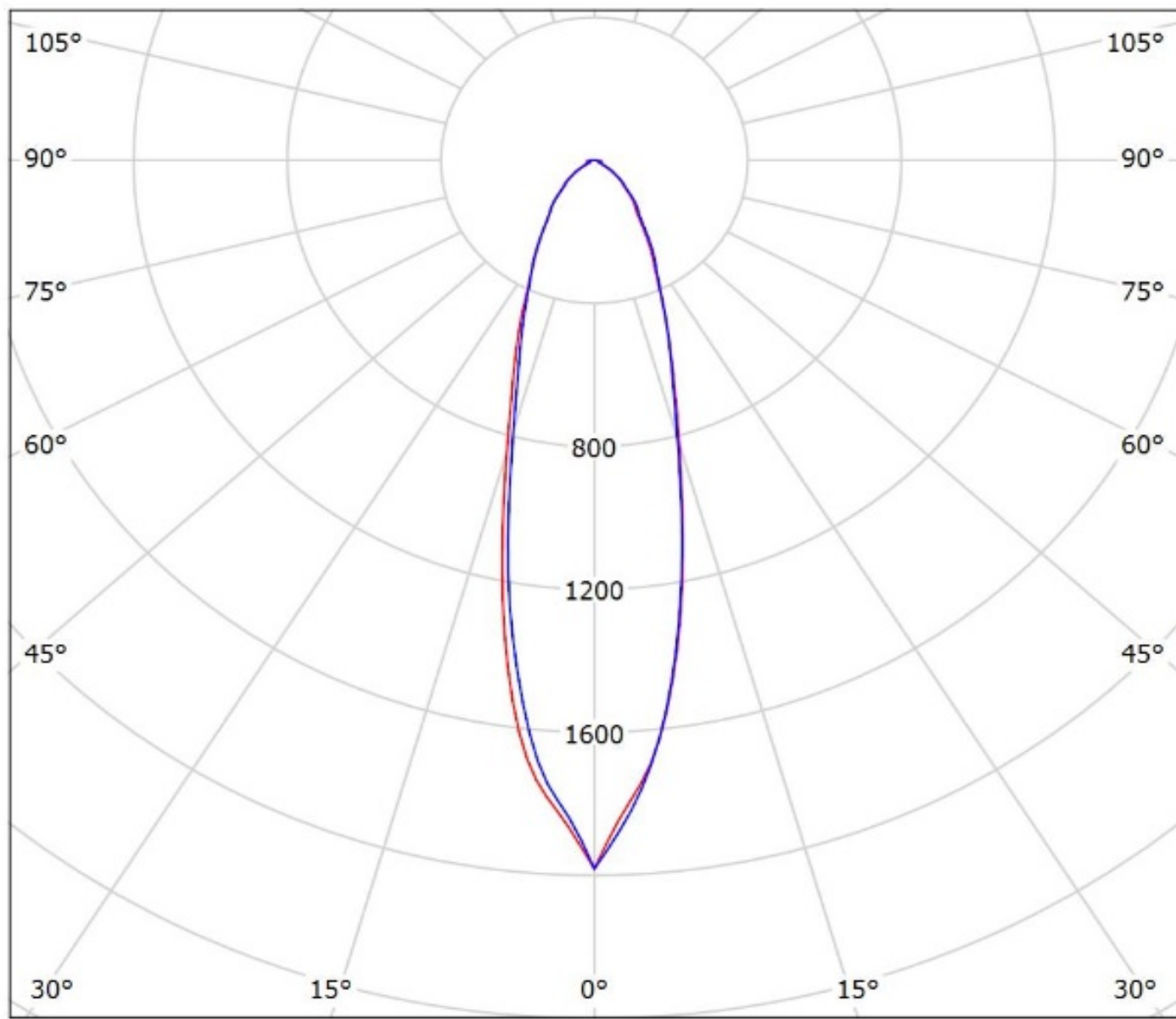
$\eta = 95\%$

Luminaire: Ledil Oy C14502\_STRADELLA-T2\_(Z5M2)\_SIMULATED  
Lamps: 1 x Seoul Z5M2 - SZ5-M2-W0-00



Luminaire: Ledil Oy C15245\_STRADELLA-HB-S\_(Z5M2)\_SIMULATED

Lamps: 1 x Seoul SZ5-M2-W0-00



cd/klm

— C0 - C180 — C90 - C270

$\eta = 94\%$

Luminaire: Ledil Oy C15246\_STRADELLA-HB-M\_(Z5M2)\_SIMULATED  
Lamps: 1 x Seoul Z5M2 - SZ5-M2-W0-00

