

Product number C13085_MIRELLA-50-S-PF

Family	Mirella	FWHM	22 degrees
Type	Reflector	Efficiency	80 %
LED	XM-L RGB	cd/lm	3.060
Color	Metal	Gerber File	Available
Diameter	49.9 mm		
Height	24 mm		
Style	Round		
Optic Material	PC		
Holder Material	-		
Fastening	["socket"]		
Status	Production ready		

Product number C13086_MIRELLA-50-M-PF

Family	Mirella	FWHM	31 degrees
Type	Reflector	Efficiency	79 %
LED	XM-L RGB	cd/lm	1.800
Color	Metal	Gerber File	Available
Diameter	49.9 mm		
Height	24 mm		
Style	Round		
Optic Material	PC		
Holder Material	-		
Fastening	["socket"]		
Status	Production ready		

Product number CN13906_MIRELLA-50-M-PF-RZL

Family	Mirella	FWHM	31 degrees
Type	RefPack	Efficiency	79 %
LED	XM-L RGB	cd/lm	1.800
Color	Metal	Gerber File	Available
Diameter	49.9 mm		
Height	25.6 mm		
Style	Round		
Optic Material	PC		
Holder Material	-		
Fastening	["screw", "socket"]		
Status	Production ready		

Product number C13087_MIRELLA-50-W-PF

Family	Mirella	FWHM	41 degrees
Type	Reflector	Efficiency	80 %
LED	XM-L RGB	cd/lm	1.300
Color	Metal	Gerber File	Available
Diameter	49.9 mm		
Height	24 mm		
Style	Round		
Optic Material	PC		
Holder Material	-		
Fastening	["socket"]		
Status	Production ready		



PRODUCT DATASHEET

Mirella series

last update 10/2/2016

NOTE: The typical divergence will be changed by different color, chip size and chip position tolerance. The typical total divergence is the full angle measured where the luminous intensity is half of the peak value.



PRODUCT DATASHEET

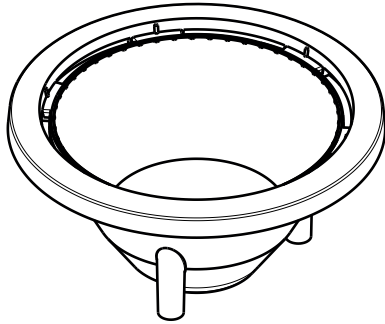
Mirella series

last update 10/2/2016

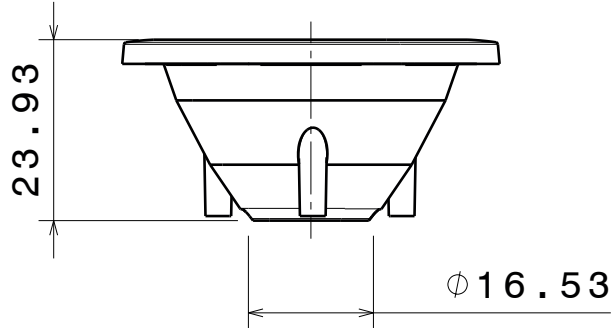
GENERAL INFORMATION

- Product series especially designed & optimized for XM-L RGB series of LEDs.
- Special care taken to make light distribution as uniform as possible.
- Reflector is made of aluminium coated PC (120 degrees of Celcius / 248 degrees of Fahrenheit) with protective lacquer (short term 100 degrees of Celcius / 212 degrees of Fahrenheit).

NOTE: It is recommended to use glue like DELO-PUR 9895 for pin fastening.
[http://www.delo.de/fileadmin/datasheet/DELO-PUR_9895_\(TIDB-GB\).pdf](http://www.delo.de/fileadmin/datasheet/DELO-PUR_9895_(TIDB-GB).pdf)

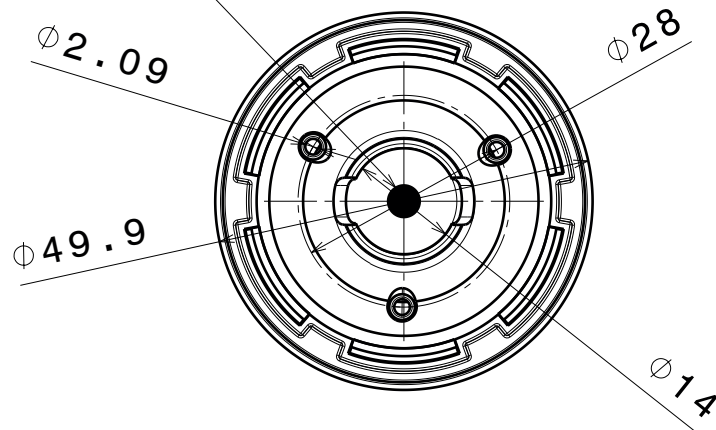


Isometric view



Front view

LED position



Bottom view

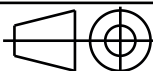
INDEX	PART NO	DESCRIPTION	MATERIAL	COLOUR
1	C13085	MIRELLA-50-S-PF	PC	metal

Tolerances if not otherwise shown
 According to DIN ISO 2768-1
 Linear measures:
 Up to 30mm class M, otherwise class C.
 According to DIN ISO 2768-2
 Form and position: class L



Ledil Oy
 Salorankatu 10
 FIN 24240 SALO
 Finland

THIRD ANGLE PROJECTION:



DRAWING TITLE

C13085_MIRELLA-50-S-PF

This drawing is the property
 of LEDiL Oy. It may not be
 reproduced, copied or
 communicated without a written
 agreement with LEDiL Oy.

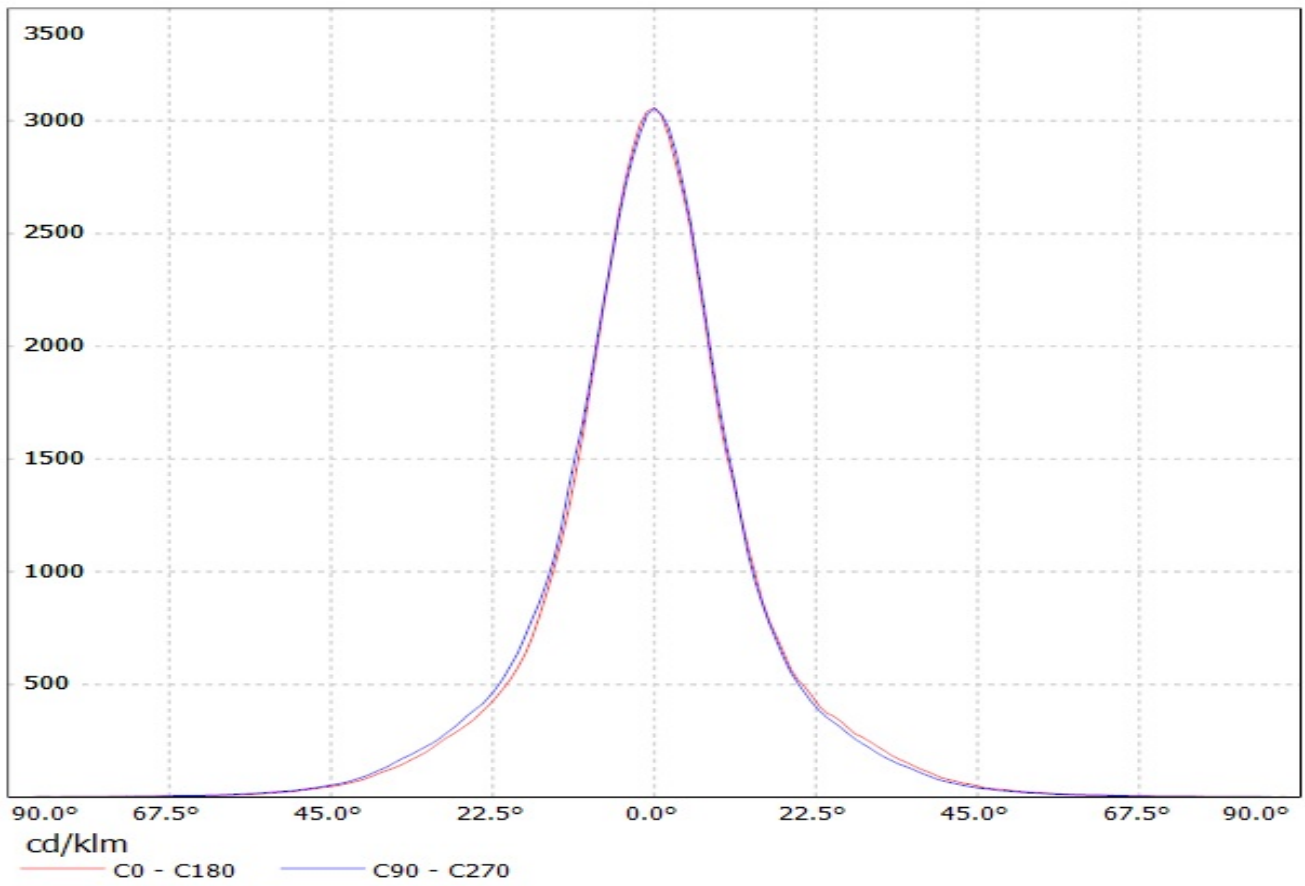
SIZE PART NUMBER

A4

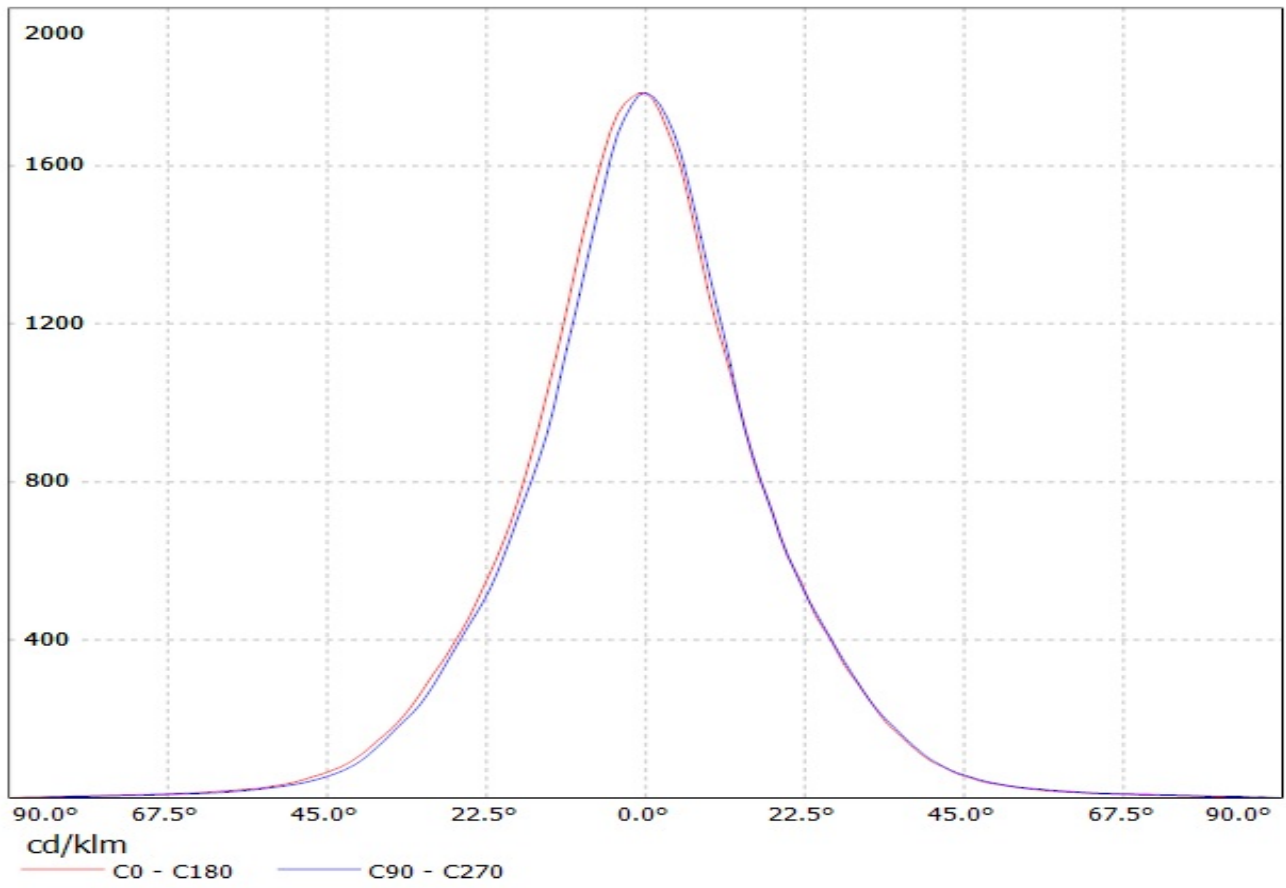
C13085

SCALE 1:1 WEIGHT 4,70 g SHEET 1/1

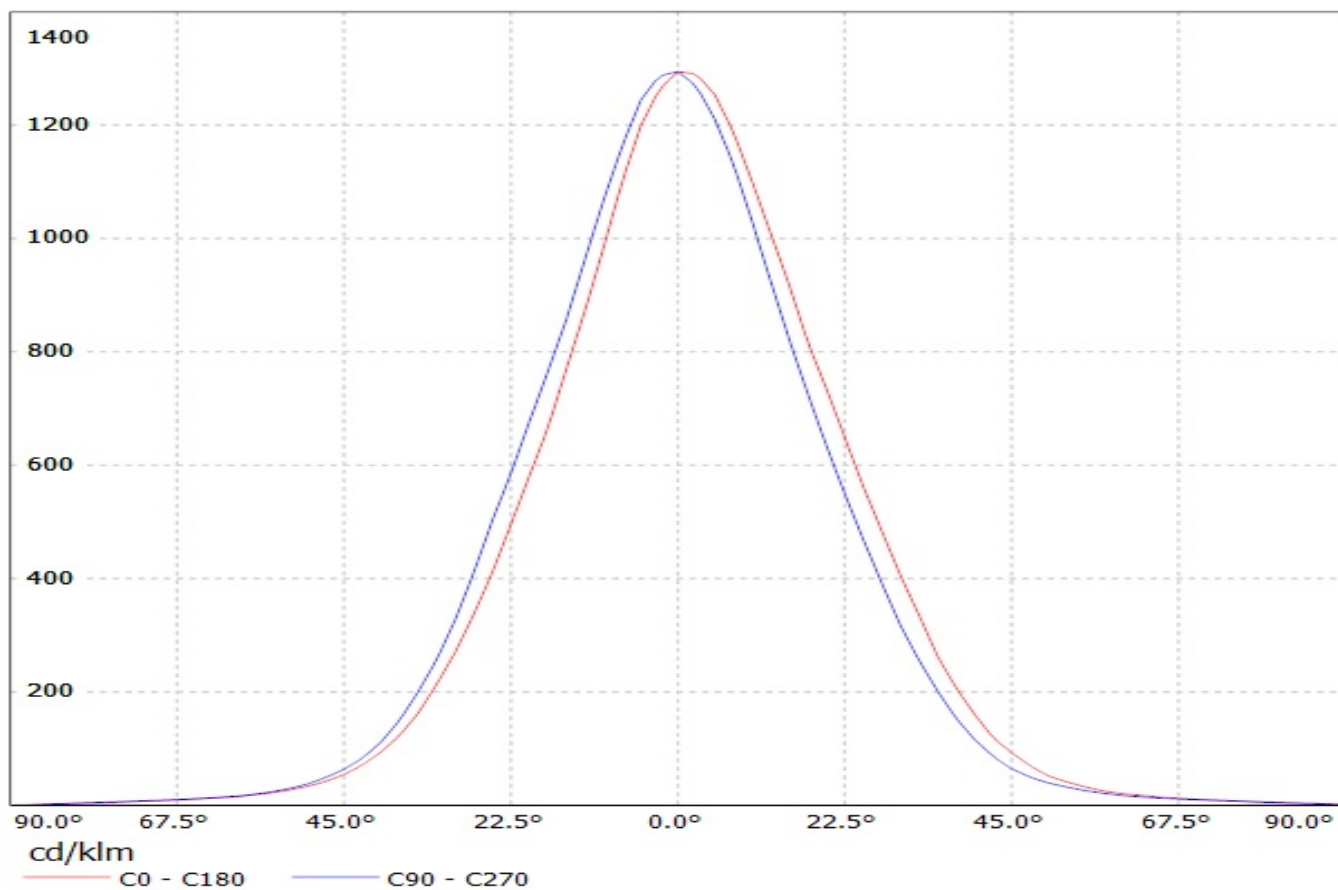
Luminaire: Ledil Oy CN13905_MIRELLA-50-S-PF-RZL_(XM-L_RGB) Efficiency=80%
Lamps: 1 x Cree XM-L RGB (206lm @ 250mA) CCT= P=2.8W I=250mA



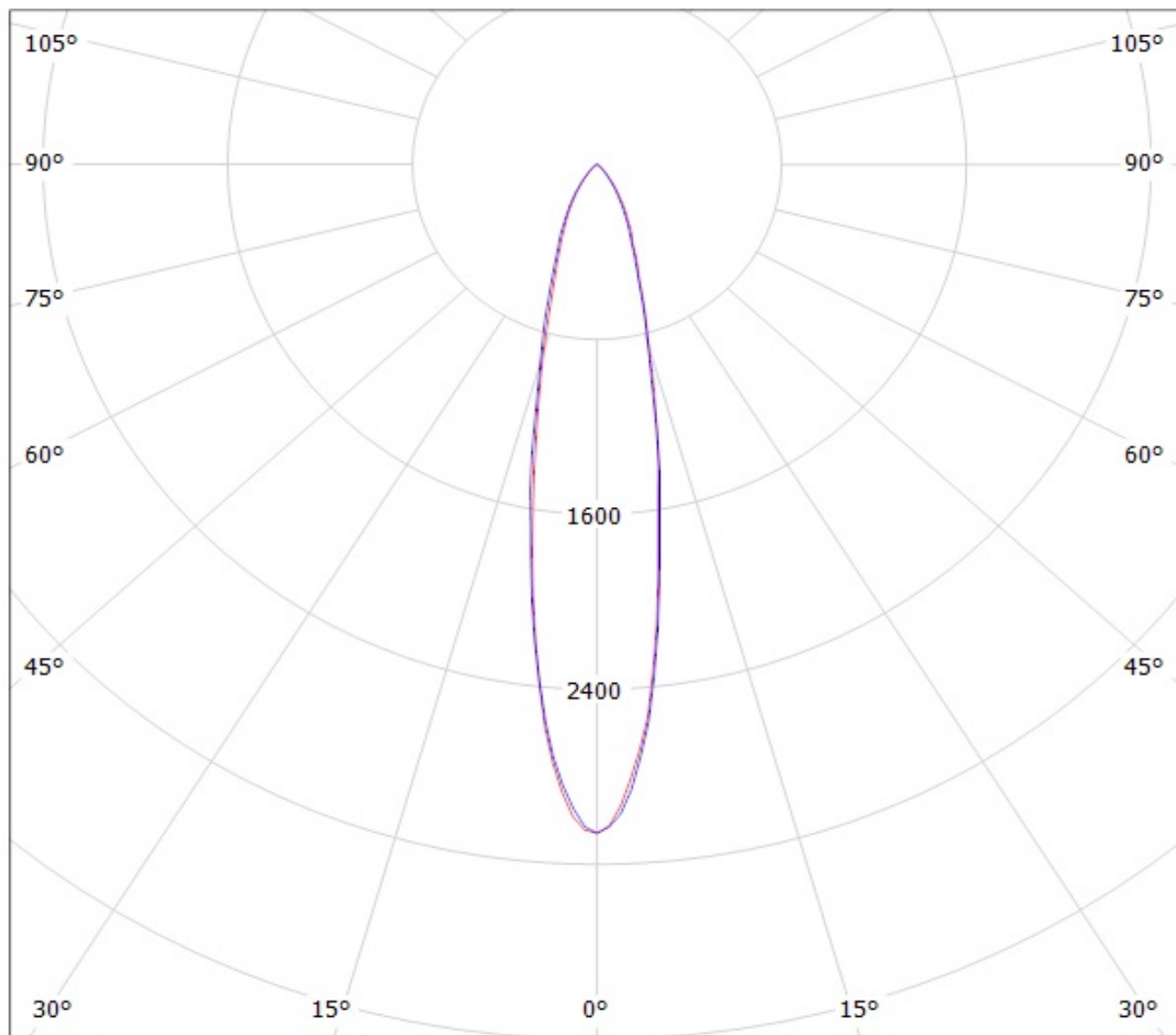
Luminaire: Ledil Oy CN13906_MIRELLA-50-M-PF-RZL (XM-L_RGB) Efficiency=79%
Lamps: 1 x Cree XM-L RGB (206lm @ 250mA) CCT= P=2.8W I=250mA



Luminaire: Ledil Oy CN13907_MIRELLA-50-W-PF-RZL_(XM-L_RGB) Efficiency=80%
Lamps: 1 x Cree XM-L RGB (206lm @ 250mA) CCT= P=2.8W I=250mA



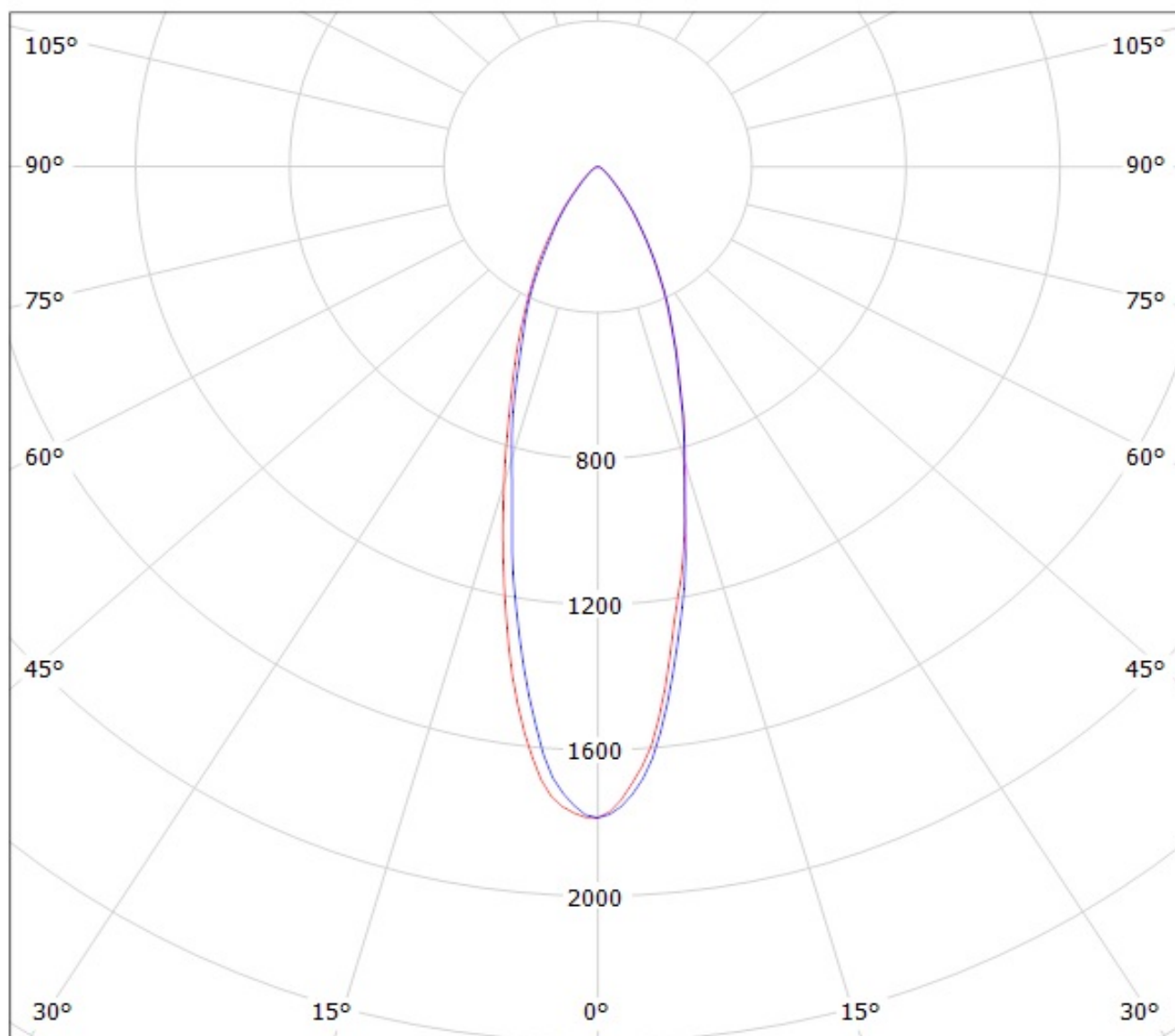
Luminaire: Ledil Oy CN13905_MIRELLA-50-S-PF-RZL_(XM-L_RGB) Efficiency=80%
Lamps: 1 x Cree XM-L RGB (206lm @ 250mA) CCT= P=2.8W I=250mA



cd/klm

— C0 - C180 — C90 - C270

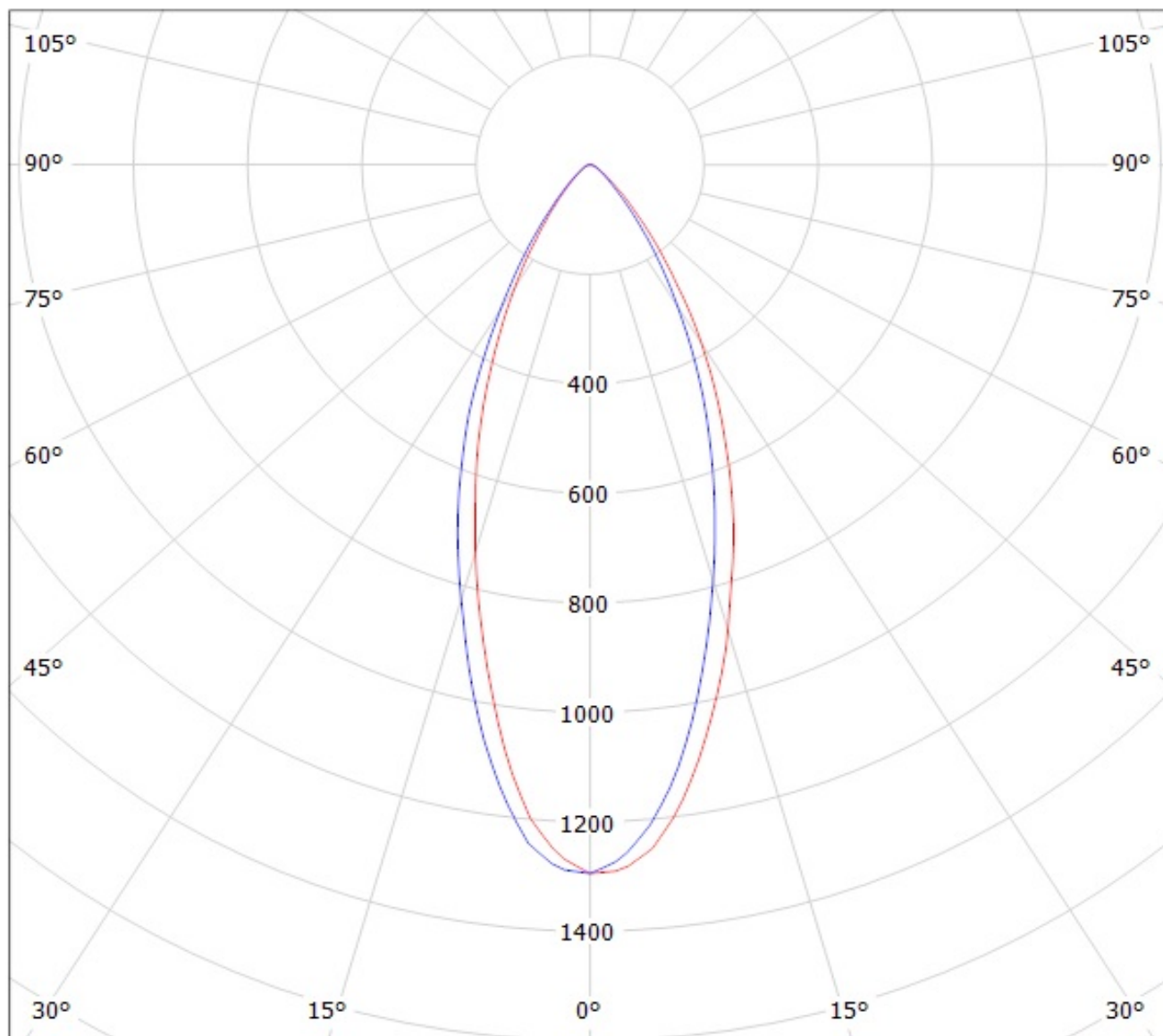
Luminaire: Ledil Oy CN13906_MIRELLA-50-M-PF-RZL_(XM-L_RGB) Efficiency=79%
Lamps: 1 x Cree XM-L RGB (206lm @ 250mA) CCT= P=2.8W I=250mA



cd/klm

— C0 - C180 — C90 - C270

Luminaire: Ledil Oy CN13907_MIRELLA-50-W-PF-RZL_(XM-L_RGB) Efficiency=80%
Lamps: 1 x Cree XM-L RGB (206lm @ 250mA) CCT= P=2.8W I=250mA



cd/klm

— C0 - C180

— C90 - C270