

**Product number FP11047_LISA2-RS-PIN**

Family	Lisa2	FWHM	16 degrees
Type	Assembly	Efficiency	92 %
LED	Oslon SSL 150	cd/lm	-
Color	Black	Gerber File	Available
Diameter	9.9 mm		
Height	6.6 mm		
Style	Round		
Optic Material	PMMA		
Holder Material	-		
Fastening	["glue", "pin"]		
Status	Production ready		

Product number FP11084_LISA2-RS-CLIP

Family	Lisa2	FWHM	16 degrees
Type	Assembly	Efficiency	89 %
LED	Oslon SSL 150	cd/lm	-
Color	Black	Gerber File	Available
Diameter	9.9 mm		
Height	6.6 mm		
Style	Round		
Optic Material	PMMA		
Holder Material	-		
Fastening	["clips", "glue"]		
Status	Production ready		

Product number FP11081_LISA2-M-CLIP

Family	Lisa2	FWHM	23 degrees
Type	Assembly	Efficiency	90 %
LED	Oslon SSL 150	cd/lm	-
Color	Black	Gerber File	Available
Diameter	9.9 mm		
Height	6.6 mm		
Style	Round		
Optic Material	PMMA		
Holder Material	-		
Fastening	["glue", "clips"]		
Status	Production ready		

Product number FP11003_LISA2-WW-PIN

Family	Lisa2	FWHM	45 degrees
Type	Assembly	Efficiency	91 %
LED	Oslon SSL 150	cd/lm	1.200
Color	Black	Gerber File	Available
Diameter	9.9 mm		
Height	7 mm		
Style	Round		
Optic Material	PMMA		
Holder Material	-		
Fastening	["glue", "pin"]		
Status	Production ready		

**Product number FP11083_LISA2-WW-CLIP**

Family	Lisa2	FWHM	45 degrees
Type	Assembly	Efficiency	91 %
LED	Oslon SSL 150	cd/lm	1.230
Color	Black	Gerber File	Available
Diameter	9.9 mm		
Height	7 mm		
Style	Round		
Optic Material	PMMA		
Holder Material	-		
Fastening	["glue", "clips"]		
Status	Production ready		

Product number FP11002_LISA2-W-PIN

Family	Lisa2	FWHM	46 degrees
Type	Assembly	Efficiency	90 %
LED	Oslon SSL 150	cd/lm	2.000
Color	Black	Gerber File	Available
Diameter	9.9 mm		
Height	6.6 mm		
Style	Round		
Optic Material	PMMA		
Holder Material	-		
Fastening	["glue", "pin"]		
Status	Production ready		

Product number FP11082_LISA2-W-CLIP

Family	Lisa2	FWHM	46 degrees
Type	Assembly	Efficiency	90 %
LED	Oslon SSL 150	cd/lm	2.000
Color	Black	Gerber File	Available
Diameter	9.9 mm		
Height	6.6 mm		
Style	Round		
Optic Material	PMMA		
Holder Material	-		
Fastening	["glue", "clips"]		
Status	Production ready		

Product number FP11120_LISA2-O-CLIP

Family	Lisa2	FWHM	48+19 degrees
Type	Assembly	Efficiency	82 %
LED	Oslon SSL 150	cd/lm	-
Color	Black	Gerber File	Available
Diameter	9.9 mm		
Height	6.6 mm		
Style	Round		
Optic Material	PMMA		
Holder Material	-		
Fastening	["glue", "clips"]		
Status	Production ready		

**Product number FP11124_LISA2-O-PIN**

Family	Lisa2	FWHM	48+19 degrees
Type	Assembly	Efficiency	82 %
LED	Oslon SSL 150	cd/lm	-
Color	Black	Gerber File	Available
Diameter	9.9 mm		
Height	6.6 mm		
Style	Round		
Optic Material	PMMA		
Holder Material	-		
Fastening	["pin", "glue"]		
Status	Production ready		

**Product number FP11852_LISA2-O-90-PIN**

Family	Lisa2	FWHM	48+19 degrees
Type	Assembly	Efficiency	-
LED	Oslon SSL 150	cd/lm	-
Color	Black	Gerber File	Available
Diameter	9.9 mm		
Height	6.6 mm		
Style	Round		
Optic Material	PMMA		
Holder Material	-		
Fastening	["pin", "glue"]		
Status	Production ready		

**Product number FP11857_LISA2-O-90-CLIP**

Family	Lisa2	FWHM	48+19 degrees
Type	Assembly	Efficiency	78 %
LED	Oslon SSL 150	cd/lm	-
Color	Black	Gerber File	Available
Diameter	9.9 mm		
Height	6.6 mm		
Style	Round		
Optic Material	PMMA		
Holder Material	-		
Fastening	["clips", "glue"]		
Status	Production ready		

**Product number C12469_LISA2-R-PIN**

Family	Lisa2	FWHM	83 degrees
Type	Reflector	Efficiency	91 %
LED	Oslon SSL 150	cd/lm	0.300
Color	White	Gerber File	Available
Diameter	9.9 mm		
Height	6.5 mm		
Style	Round		
Optic Material	HRPC		
Holder Material	-		
Fastening	["glue", "pin"]		
Status	Production ready		

**Product number FP11957_LISA2-WWW-PIN**

Family	Lisa2	FWHM	91 degrees
Type	Assembly	Efficiency	68 %
LED	Oslon SSL 150	cd/lm	0.350
Color	Black	Gerber File	Available
Diameter	9.9 mm		
Height	6.6 mm		
Style	Round		
Optic Material	PMMA		
Holder Material	-		
Fastening	["pin", "glue"]		
Status	Production ready		

Product number FP11958_LISA2-WWW-CLIP

Family	Lisa2	FWHM	94 degrees
Type	Assembly	Efficiency	70 %
LED	Oslon SSL 150	cd/lm	0.400
Color	Black	Gerber File	Available
Diameter	9.9 mm		
Height	6.6 mm		
Style	Round		
Optic Material	PMMA		
Holder Material	-		
Fastening	["clips", "glue"]		
Status	Production ready		

NOTE: The typical divergence will be changed by different color, chip size and chip position tolerance. The typical total divergence is the full angle measured where the luminous intensity is half of the peak value.



PRODUCT DATASHEET

Lisa2 series

last update 15/4/2016

GENERAL INFORMATION

- Product series especially designed & optimized for Oslon SSL 150 series of LEDs.
- Special care taken to make light distribution as uniform as possible.
- Lens material optical grade PMMA with high UV and temperature resistance. Allows use of high current and temperature conditions.

Please find more information about used material from below:

http://ledil.fi/sites/default/files/Documents/Technical/Material/PMMA%20N%20UL94_Yellow%20Card.pdf

<http://ledil.fi/sites/default/files/Documents/Technical/Material/PMMA%20N%20PLEXIGLAS-Datasheet.pdf>

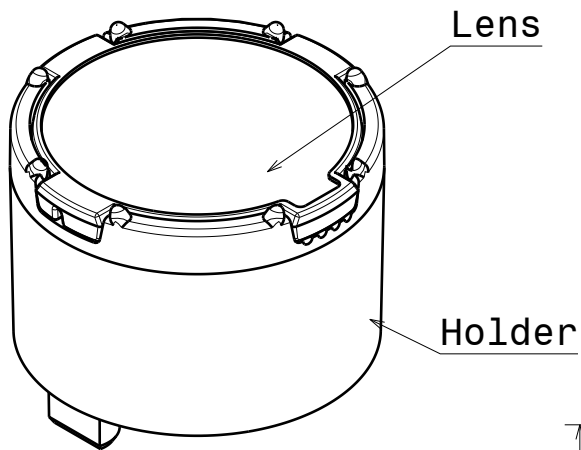
- Reflector is made of aluminium coated PC (120 degrees of Celcius / 248 degrees of Fahrenheit) with protective lacquer (short term 100 degrees of Celcius / 212 degrees of Fahrenheit).

D

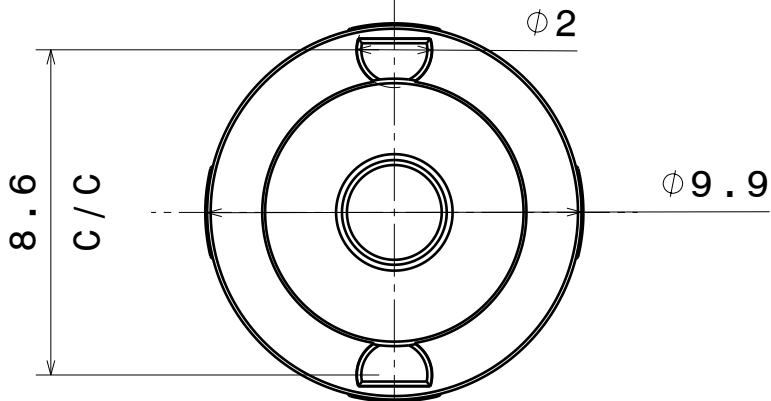
C

B

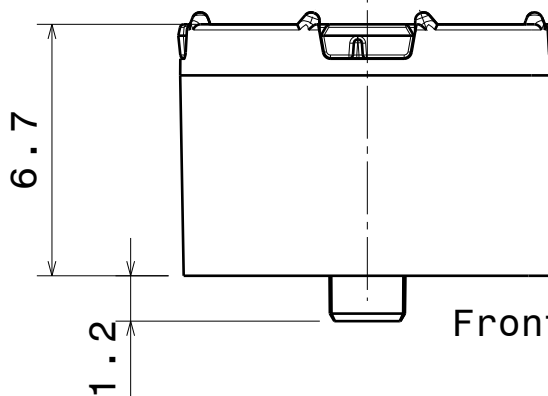
A



Isometric view
Scale: 5:1



Bottom view



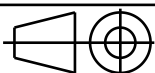
Front view

Tolerances if not otherwise shown
According to DIN ISO 2768-1
Linear measures:
Up to 30mm class M, otherwise class C.
According to DIN ISO 2768-2
Form and position: class L

LEDiL

Ledil Oy
Salorankatu 10
FIN 24240 SALO
Finland

THIRD ANGLE PROJECTION:



DRAWING TITLE

FP11047_LISA2-RS-PIN

This drawing is the property
of LEDiL Oy. It may not be
reproduced, copied or
communicated without a written
agreement with LEDiL Oy."

SIZE	PART NUMBER
A4	FP11047

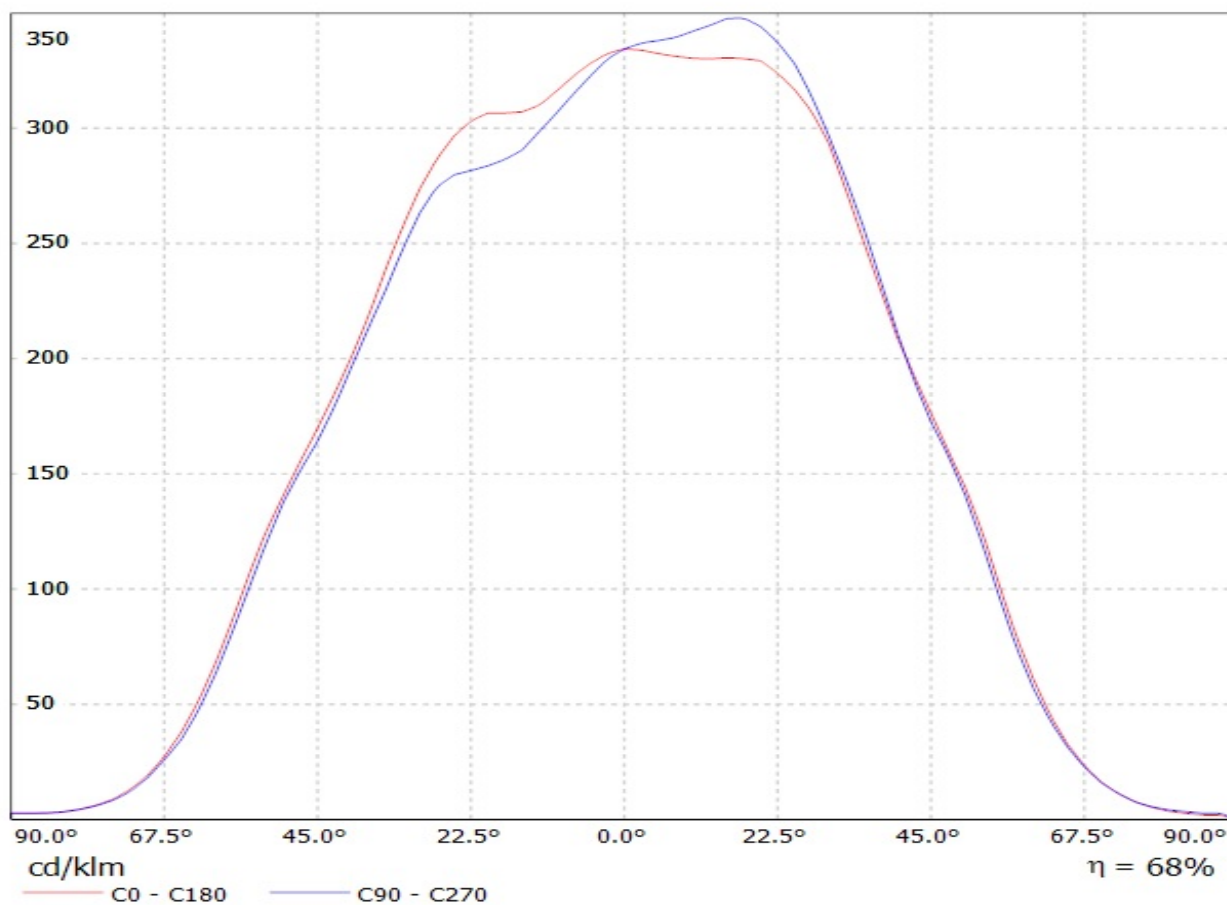
SCALE	5:1	WEIGHT	-	SHEET	1/1
-------	-----	--------	---	-------	-----

D

A

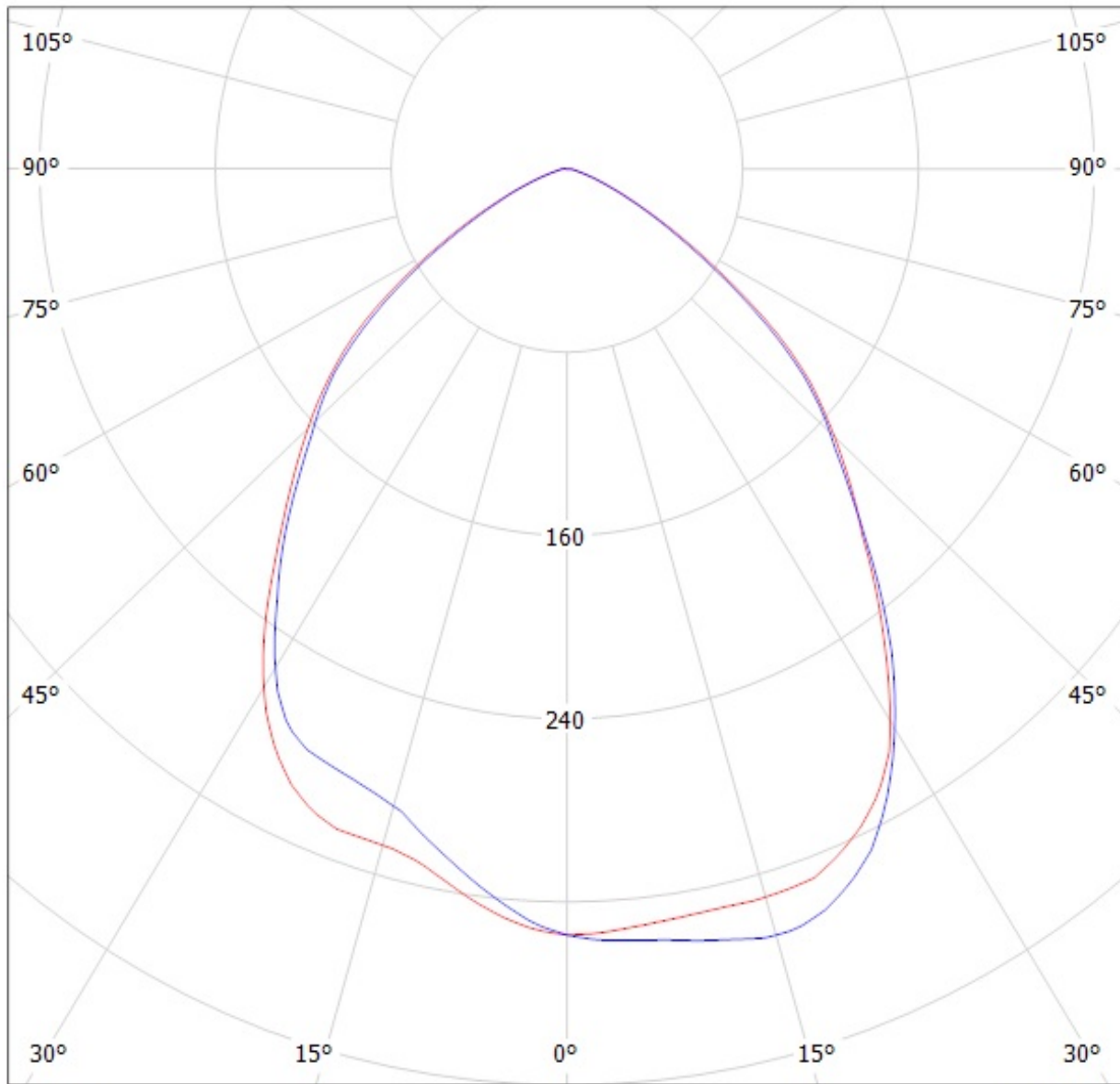
Luminaire: LEDil Oy FP11957_LISA2-WWW-PIN (Oslon SSL 150)

Lamps: 1 x Osram Oslon SSL 150 (LCW CRUP.ÉC-KTLP-607Q-1) 77.99lm @ 250mA CCT=3750K P=0.7W I=250mA



Luminaire: LEDil Oy FP11957_LISA2-WWW-PIN_(Oslon_SSL_150)

Lamps: 1 x Osram Oslon SSL 150 (LCW CRUP.ĚC-KTLP-607Q-1) 77.99lm @ 250mA CCT=3750K P=0.7W I=250mA



cd/klm

— C0 - C180 — C90 - C270

η = 68%