

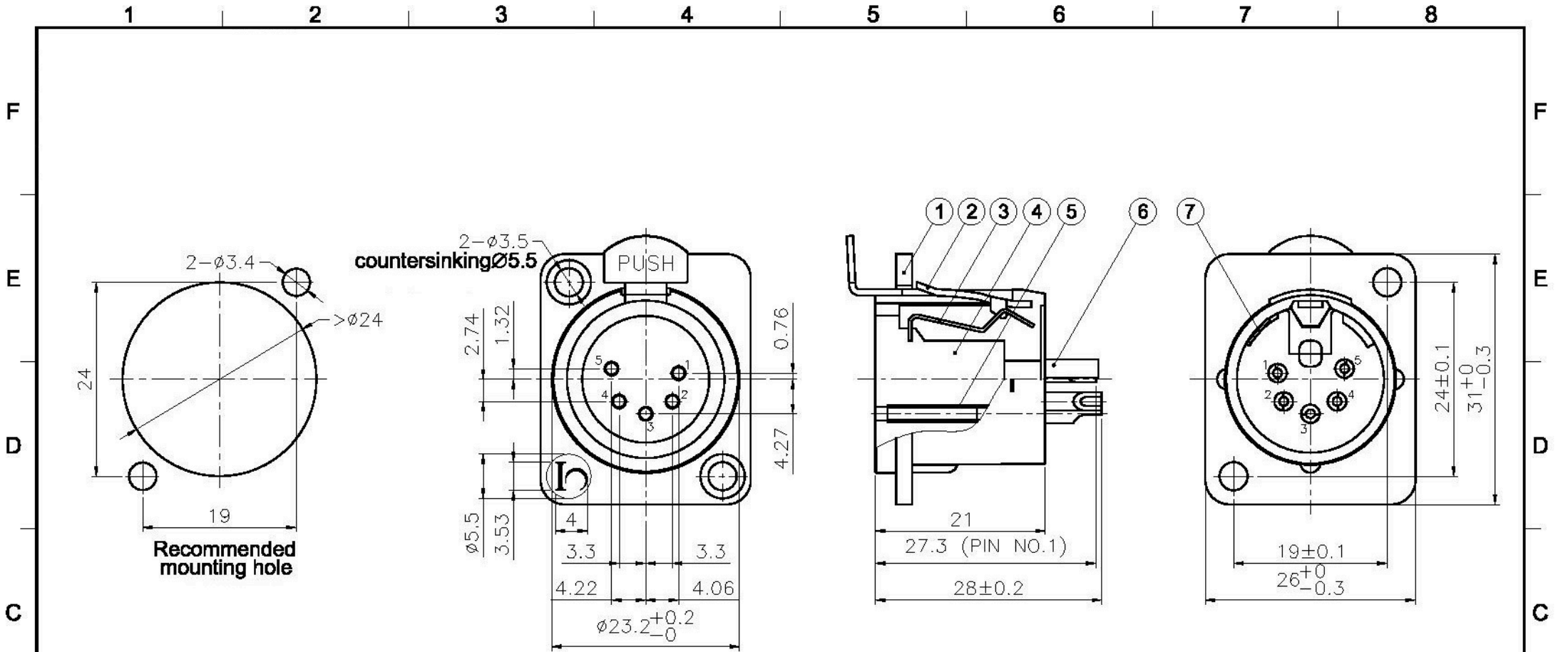
4	TERMINAL	H62	SILVER	1
3	PIN	H59-1	SILVER	5
2	INSULATOR	PA	BLACK	1
1	DIE CAST SHELL	ZZnAL4-0	Nickel	1
NO.	DESCRIPTION	MATERIAL	FINISH	Q'TY

DIMENSIONS ARE IN MILLIMETERS	
UNLESS OTHERWISE SPECIFIED TOLERANCES	
ANGLES = $\pm 5^\circ$	
UP TO 6 = ± 0.2	
6-40 = ± 0.4	
40-120 = ± 0.6	
120-315 = ± 1	
ABOVE 315 = ± 1.6	
THIRD_ANGLE	
SCALE	1.5/1

HAUDIO[®] TECHNOLOGIES


TITLE
JL Series 5P Male XLR Chassis Connector

PART NO. **IO-XLR5-M-JL** REV. **A1**



7	TERMINAL	H62	TIN	1
6	PIN	H59-1	SILVER	5
5	FEMALE PIN	PHOSPHOR BRONZE	SILVER	5
4	INSULATOR	PA	BLACK	1
3	LATCH	65Mn	NICKEL	1
2	PUSH BUTTON	H62	NICKEL	1
1	DIE-ZINC SHELL	ZZnAl4-0	NICKEL	1
NO.	DESCRIPTION	MATERIAL	FINISH	Q'TY

DIMENSIONS ARE IN MILLIMETERS
 UNLESS OTHERWISE SPECIFIED TOLERANCES
 ANGLES = ±5°
 UP TO 6 = ±0.2
 6-40 = ±0.4
 40-120 = ±0.6
 120-315 = ±1
 ABOVE 315 = ±1.6

THIRD_ANGLE 
 SCALE 1/1

Audio Technologies

TITLE
JL Series 5P Female XLR Chassis Connector

PART NO. **IO-XLR5-F-JL** REV. **A1**