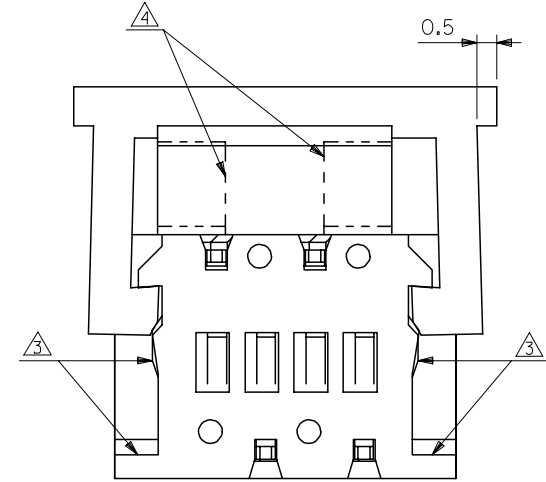
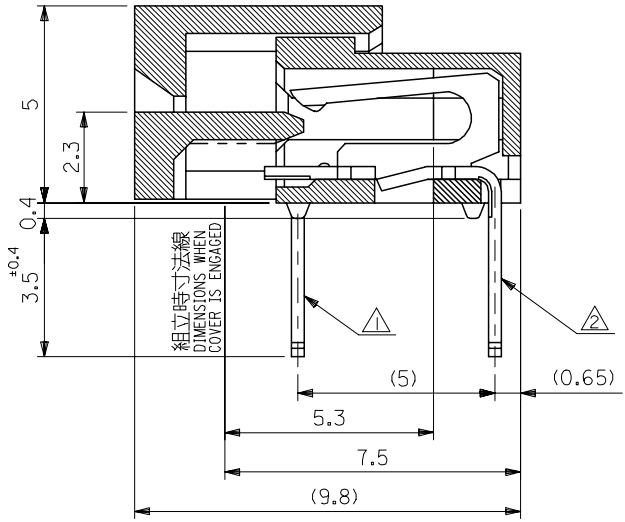
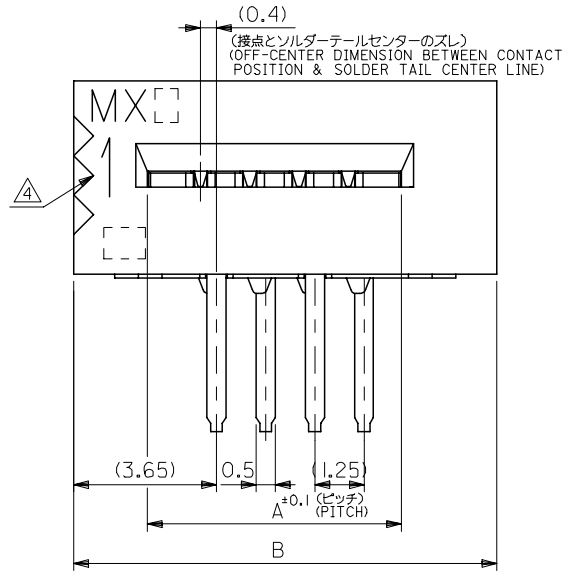


10 9 8 7 6 5 4 3 2 1



注記 NOTES

- △ MX J側を基準に奇数番目の極におけるソルダーテール。SOLDER TAIL OF ODD CKTS, MXJ MARK AS BASIC.
- △ MX J側を基準に偶数番目の極におけるソルダーテール。SOLDER TAIL OF EVEN CKTS, MXJ MARK AS BASIC.
- △ 3極～10極に適用。APPLY FOR 3-10 CKTS.
- △ 3極～19極に適用。APPLY FOR 3-19 CKTS.
- 5. ( ) 内寸法は、参考値。  
( ) DIMENSION IS FOR REFERENCE.
- 6. ソルダーテールは、先端が取付推奨穴にガイドされること。  
SOLDER TAILS MAY BE CHECKED BY INSERTION FOR RECOMMENDED PCB BOARD HOLES.
- 7. 本製品は5597-NAPBの鉛フリー品である。  
THIS PRODUCT IS LEAD FREE OF 5597-NAPB.

|       |       |            |              |            |
|-------|-------|------------|--------------|------------|
| 48.25 | 43.95 | 39-53-2344 | 5597-34APB7F | 34         |
| 47.00 | 42.70 | -2334      | -33APB7F     | 33         |
| 45.75 | 41.45 | -2324      | -32APB7F     | 32         |
| 44.50 | 40.20 | -2314      | -31APB7F     | 31         |
| 43.25 | 38.95 | -2304      | -30APB7F     | 30         |
| 42.00 | 37.70 | -2294      | -29APB7F     | 29         |
| 40.75 | 36.45 | -2284      | -28APB7F     | 28         |
| 39.50 | 35.20 | -2274      | -27APB7F     | 27         |
| 38.25 | 33.95 | -2264      | -26APB7F     | 26         |
| 37.00 | 32.70 | -2254      | -25APB7F     | 25         |
| 35.75 | 31.45 | -2244      | -24APB7F     | 24         |
| 34.50 | 30.20 | -2234      | -23APB7F     | 23         |
| 33.25 | 28.95 | -2224      | -22APB7F     | 22         |
| 32.00 | 27.70 | -2214      | -21APB7F     | 21         |
| 30.75 | 26.45 | -2204      | -20APB7F     | 20         |
| 29.50 | 25.20 | -2194      | -19APB7F     | 19         |
| 28.25 | 23.95 | -2184      | -18APB7F     | 18         |
| 27.00 | 22.70 | -2174      | -17APB7F     | 17         |
| 25.75 | 21.45 | -2164      | -16APB7F     | 16         |
| 24.50 | 20.20 | -2154      | -15APB7F     | 15         |
| 23.25 | 18.95 | -2144      | -14APB7F     | 14         |
| 22.00 | 17.70 | -2134      | -13APB7F     | 13         |
| 20.75 | 16.45 | -2124      | -12APB7F     | 12         |
| 19.50 | 15.20 | -2114      | -11APB7F     | 11         |
| 18.25 | 13.95 | -2104      | -10APB7F     | 10         |
| 17.00 | 12.70 | -2094      | -09APB7F     | 9          |
| 15.75 | 11.45 | -2084      | -08APB7F     | 8          |
| 14.50 | 10.20 | -2074      | -07APB7F     | 7          |
| 13.25 | 8.95  | -2064      | -06APB7F     | 6          |
| 12.00 | 7.70  | -2054      | -05APB7F     | 5          |
| 10.75 | 6.45  | -2044      | -04APB7F     | 4          |
| 9.50  | 5.20  | 39-53-2034 | 5597-03APB7F | 3          |
| B     | A     | EDP NO.    | ENG NO.      | 極数<br>CKT. |

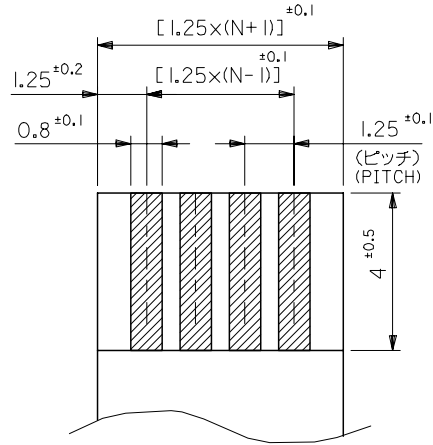
|                            |                                     |
|----------------------------|-------------------------------------|
| 材料<br>MATERIAL             | HOUSING, ACTUATOR : PBTP, UL94V-0   |
| TERMINAL : PHOSPHOR-BRONZE | THK : 0.3t                          |
| 仕上げ<br>FINISH              | TIN-BISMUTH : 10 MICROMETER MINIMUM |
| OVER NICKEL PLATING :      | 10 MICROMETER MINIMUM               |
| 適用電線範囲<br>WIRE RANGE       | — # —                               |
| 被覆外径<br>INS. RANGE         | — # —                               |

|                   |             |
|-------------------|-------------|
| REVISED           | DESCRIPTION |
| EC NO: J2007-2876 | 2007/04/19  |
| DRW:KSAIT001      | 2007/04/19  |
| CHKD:THARUYAMA    | 2007/04/19  |
| APPR:NUKITA       | 2007/04/20  |
| B                 |             |

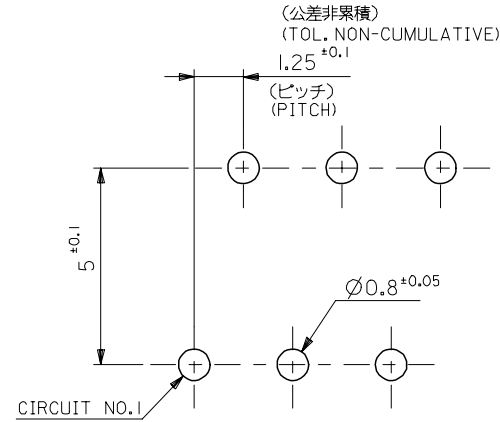
|  |       |
|--|-------|
| GENERAL TOLERANCES (UNLESS SPECIFIED)                |       |
| 10 UNDER   | ±0.2  |
| 10 OVER 30 UNDER                                     | ±0.25 |
| 30 OVER  | ±0.3  |
| ANGULAR  | ±3 °  |
| DRAFT WHERE APPLICABLE MUST REMAIN WITHIN DIMENSIONS |       |

|                            |           |
|----------------------------|-----------|
| DIMENSION STYLE<br>MM ONLY |           |
| DRAWN BY                   | DATE      |
| M. NAGATA                  | '04/05/10 |
| CHECKED BY                 | DATE      |
| K. TOJO                    | '04/05/10 |
| APPROVED BY                | DATE      |
| M. SASAO                   | '04/05/10 |
| MATERIAL NO.               | SEE CHART |
| SIZE                       | A3        |

|   |              |                        |             |
|---|--------------|------------------------|-------------|
| SCALE   | DESIGN UNITS | MODEL NO.              | 5597-NAPB7F |
| ---   | METRIC       | ENG NO.                |             |
| TITLE   |              | THIRD ANGLE PROJECTION |             |
| 1.25 FPC CONNECTOR ASSY ZIF -LEAD FREE-   |              |                        |             |
| MOLEX INCORPORATED  |              | DOCUMENT NO.           | SD-5597-011 |
| SHEET NO.   |              | 1 OF 2                 |             |
| THIS DRAWING CONTAINS INFORMATION THAT IS PROPRIETARY TO MOLEX INCORPORATED AND SHOULD NOT BE USED WITHOUT WRITTEN PERMISSION |              |                        |             |



適合FPC/FFC推奨寸法  
RECOMMENDED FPC/FFC  
厚さ THK : 0.3<sup>±0.05</sup>



基板取付穴推奨寸法 (t=1.6)  
RECOMMENDED P.C. BOARD  
HOLE DIMENSION

FPC/FFCについて:

打抜き方向は導体側から補強板側を推奨いたします。  
導体部については軟銅箔35マイクロメートルまたは50マイクロメートルを推奨いたします。

ABOUT FPC/FFC

RECOMMENDED PUNCHER DIRECTION : FROM CONDUCTOR SIDE TO STIFFENER FILM SIDE.  
RECOMMENDED CONDUCTOR SPEC :  
THICKNESS OF SOFT COPPER FOIL : 35 MICROMETER OR 50 MICROMETER.

FPCについて:

補強フィルム材質はポリイミドを推奨します。  
接着剤は熱硬化接着剤を推奨します。

ABOUT FPC

RECOMMENDED MATERIAL :  
STIFFENER FILM : POLYIMIDE  
BONDING AGENT : THERMOSETTING BONDING AGENT

MODEL NO. 5597-NAPB7F

|   |                                       |            |                            |  |  |                         |                        |  |
|---|---------------------------------------|------------|----------------------------|--|--|-------------------------|------------------------|--|
| REVISED<br>EC NO: J2007-2876<br>DRWN:KSAIT001 2007/04/19<br>CHKD:THARUYAMA 2007/04/19<br>APPR:NUKITA 2007/04/20 | GENERAL TOLERANCES (UNLESS SPECIFIED) |            | DIMENSION STYLE<br>MM ONLY |  | SCALE<br>---   | DESIGN UNIT'S<br>METRIC | THIRD ANGLE PROJECTION |  |
|   | 10 UNDER                              | ± 0.2      | DRAWN BY<br>M. NAGATA      | DATE<br>'04/05/10  | TITLE<br>1.25 FPC CONNECTOR<br>ASSY ZIF<br>-LEAD FREE- |                         |                        |  |
|   | 10 OVER 30 UNDER                      | ± 0.25     | CHECKED BY<br>K. TOJO      | DATE<br>'04/05/10  | MOLEX INCORPORATED                                     |                         |                        |  |
|   | 30 OVER                               | ± 0.3      | APPROVED BY<br>M. SASAO    | DATE<br>'04/05/10  | DOCUMENT NO.<br>SD-5597-011                            |                         | SHEET NO.<br>2 OF 2    |  |
|   | ANGULAR                               | ± 3 °      | MATERIAL NO.<br>SEE CHART  |  |  |                         |                        |  |
| DRAFT WHERE APPLICABLE<br>MUST REMAIN<br>WITHIN DIMENSIONS  |                                       | SIZE<br>A3 |                            | THIS DRAWING CONTAINS INFORMATION THAT IS PROPRIETARY TO MOLEX<br>INCORPORATED AND SHOULD NOT BE USED WITHOUT WRITTEN PERMISSION |  |                         |                        |  |