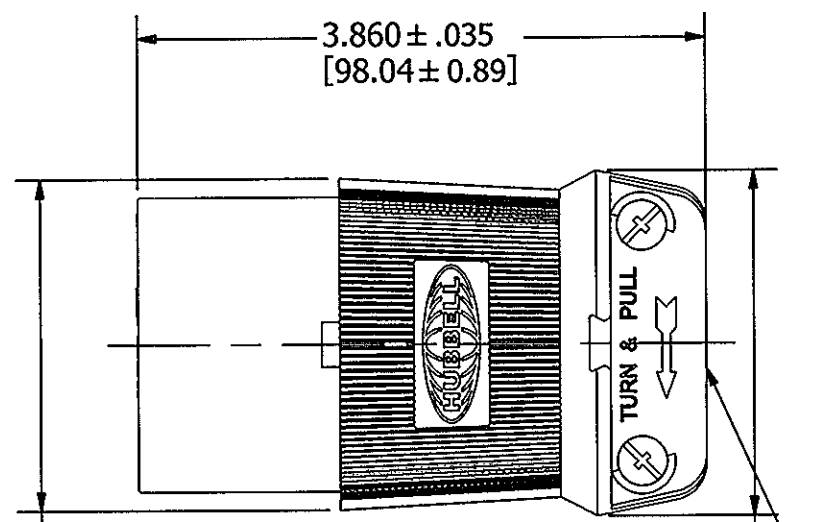
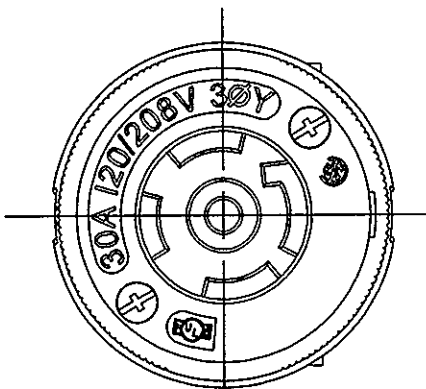
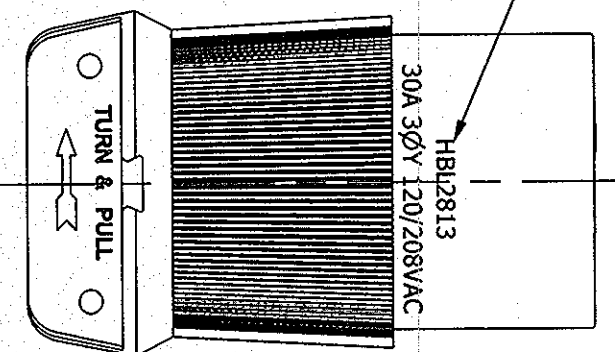


M-7904

6

| NEMA NO. | RATING | POLE/WIRE | CAT NO. | CORROSION RESISTANT ^[B] | VOLTAGE COLOR CODE | UL | CSA | FED SPEC |
|----------|-------------------|---------------------|-------------------------------------|------------------------------------|--------------------|-----|-----|----------|
| L14-30R | 125/250V | 3P/4W GROUNDING | HBL2713 HBL2713BK ^[C] | HBL27CM13 | ORANGE | YES | YES | YES |
| L15-30R | 3 Ø 250 VAC | 3P/4W GROUNDING | HBL2723 | HBL27CM23 | BLUE | YES | YES | YES |
| L16-30R | 3 Ø 480 VAC | 3P/4W GROUNDING | HBL2733 | HBL27CM33 | RED | YES | YES | YES |
| L17-30R | 3 Ø 600 VAC | 3P/4W GROUNDING | HBL2743 | HBL27CM43 | BLACK | YES | YES | YES |
| L18-30R | 3 Ø Y 120/208 VAC | 4P/4W NON-GROUNDING | HBL2753 | ---- | BLUE | YES | NO | YES |
| L19-30R | 3 Ø Y 277/480 VAC | 4P/4W NON-GROUNDING | HBL2763 | ---- | RED | YES | YES | YES |
| L20-30R | 3 Ø Y 347/600 VAC | 4P/4W NON-GROUNDING | HBL2773 | ---- | BLACK | YES | NO | YES |
| L21-30R | 3 Ø Y 120/208 VAC | 4P/5W GROUNDING | HBL2813 HBL2813BK ^[C] | HBL28CM13 | BLUE | YES | YES | YES |
| L22-30R | 3 Ø Y 277/480 VAC | 4P/5W GROUNDING | HBL2823 | ---- | RED | YES | YES | YES |
| L23-30R | 3 Ø Y 347/600 VAC | 4P/5W GROUNDING | HBL2833 | ---- | BLACK | YES | YES | YES |

CAT NO. & RATING PRINTED ON CONTACT BODY, COLOR CODE BY VOLTAGE

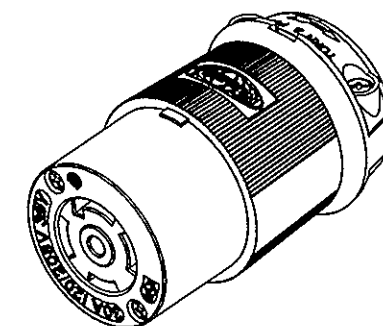


- ^[A] WHITE FINISH ON NEUTRAL CONTACT WHEN USED.
- ^[B] CM DEVICES SAME AS ABOVE EXCEPT: COVER & CORD CLAMP YELLOW TERMINAL SCREWS & CONTACT-NICKEL PLATED WIRE CLAMPS - BRASS, NICKEL PLATE ASSEM FASTENERS - STAINLES STEEL
- ^[C] BK DEVICES ARE SAME AS ABOVE EXCEPT ALL BLACK.

- NOTES:
- DIMENSIONS ARE IN INCHES [mm].
 - ALL SCREWS ARE COMBINATION PHILLIPS/SLOTTED/ROBERTSON HEAD.

LIST OF PARTS

| DESCRIPTION | MATERIAL | FINISH |
|---|-----------------|----------------|
| COVER | NYLON | BLACK |
| CORD CLAMP | NYLON | NATURAL |
| CONTACT BODY | NYLON | NATURAL |
| RETAINER | POLY CARBONATE | CLEAR |
| CONTACTS | .031/.040 BRASS | |
| CENTER GROUND CONTACT & TERM LUG (5 WIRE) | BRASS | |
| WIRE CLAMP | .080 CRS | NICKEL PLATE |
| #10 TERMINAL SCREW | BRASS | ^[A] |
| #10 GROUND SCREW | BRASS | GREEN |
| ASSEMBLY FASTENERS | STEEL | ZINC PLATE |
| DUST SHIELD | TPE | BLACK |



CATALOG NO. HBL2813 (NOT SHOWN TO SCALE)

| 6 | REDRAWN WITH EMBEDDED CAD MODEL WITH NO CHANGES TO PART GEOMETRY. PER DCN 21895 SPN | DJP | 2/5/16 |
|-----|---|-----|--------|
| REV | DESCRIPTION | APP | DATE |

THE DESIGN AND DIMENSIONS OF THE PRODUCT SHOWN ON THIS DRAWING ARE SUBJECT TO CHANGE WITHOUT NOTICE

TITLE
30A 4 & 5 - WIRE TWIST - LOCK CONNECTOR

| | | | | |
|---------------------------------------|--|------|---------|----------|
| TOLERANCES UNLESS OTHERWISE SPECIFIED | WIRING DEVICE-KELLEMS HUBBELL INCORPORATED SHELTON, CT | | | |
| .XX = ± .01 | DR. BY | B.C. | APP. BY | DJP |
| .XXX = ± .005 | TR. BY | | SCALE | NONE |
| ANGLES = ± 2° | CHK. BY | DJP | DATE | 03-02-98 |