

Microphone Omnidirectional

multicomp PRO

**RoHS
Compliant**



General Characteristics

Out-Diameter	: 9.7mm
Height	: 4.5mm
Weight	: ≤1g
Operating Temperature Range	: -20°C to +70°C (without loss of function)
Store Temperature Range	: -20°C to +70°C (without loss of function)

Electrical and Acoustic Characteristics

Test condition : 15°C ~ 35°C, 45 ~ 85%RH, 860 ~ 1060mbar

Items	Symbol	Specification	Condition
Directivity	-	Omni-directional	-
Sensitivity	S	-40dB ±3dB	0dB=1V/Pa, 1kHz
Standard Operation Voltage	Vs	4.5V DC	-
Output Impedance	Zout	2.2kΩ	f=1kHz, 1Pa
Max. Operating Voltage		10V DC	-
Sensitivity Reduction	ΔS-Vs	-3dB	f=1kHz, 1Pa Vs = 4.5 - 3V.D.C
Frequency	f	100-16,000 Hz	-
Max. Current Consumption	IDss	0.5mA	Vs = 4.5V, RL = 2.2kΩ
Signal to Noise Ration	S/N	60dBA	f=1kHz, 1Pa A weighted
Material	-	AL	-

Mechanical Characteristics

Item	Test Condition	Evaluation Standard
Vibration	To be no interference in operation after vibrations. 10Hz to 50Hz for 1 minrte full amplitude 1.52mm, for 2 hours at three axes	After any tests,the sensitivity to be within ±3dB
Drop Test	To be no interference in operation after dropped to concrete floor each one time from 1 meter height at three directions in state of packing	

Environmental test

Item	Test Condition	Evaluation Standard
High temperature Test	After being placed in a chamber at +70±2°C for 96 hours.	After any tests,the sensitivity to be within ±3dB of initial sensitivity after 3H of conditioning at +25°C
Low temperature Test	After being placed in a chamber at -20±2°C for 96 hours.	
Humidity Test	After being placed in a chamber at +40°C and 90-95 relative humidity for 96 hours.	

Newark.com/multicomp-pro
Farnell.com/multicomp-pro
Element14.com/multicomp-pro

multicomp PRO

Microphone Omnidirectional

multicomp PRO

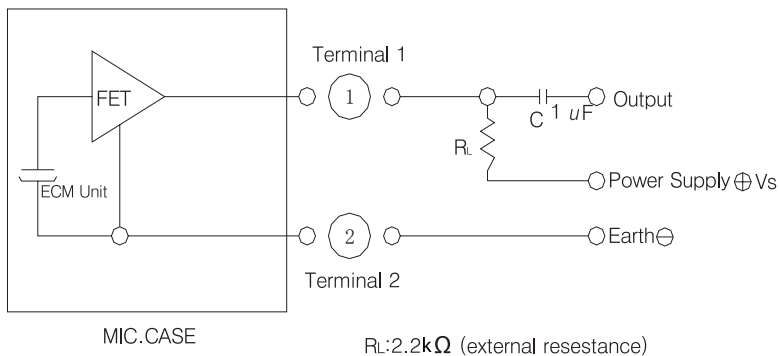
Item	Test Condition	Evaluation Standard
Temperature Impact Test	After being placed in a chamber at $-20\pm 3^{\circ}\text{C}$ for 30 minutes, and then $70\pm 3^{\circ}\text{C}$ for 30 minutes, each 10 times.	After any tests, the sensitivity to be within $\pm 3\text{dB}$ of initial sensitivity after 3H of conditioning at $+25^{\circ}\text{C}$
Temperature Cycles Test	After being placed in a chamber at $-20\pm 2^{\circ}\text{C}$ for 2H, temperature rises from $-20\pm 2^{\circ}\text{C}$ to 25°C gradually, it takes 1 hour. Then being placed in a chamber at 25°C for 2H, temperature rises from 25°C to $70\pm 2^{\circ}\text{C}$ gradually, it takes 1 hour, then being placed in a chamber at $70\pm 2^{\circ}\text{C}$ for 2H, the temperature rises from $70\pm 2^{\circ}\text{C}$ to 25°C gradually, it takes 1 hour. Then being placed in a chamber at 25°C for 2H, the temperature rises from $25\pm 2^{\circ}\text{C}$ to -20°C gradually. Above cycles times.	

Standard Test Condition : a) Temperature: $+15 \sim +35^{\circ}\text{C}$ b) Humidity: 45 ~ 75% c) Pressure: 86 ~ 106kPa

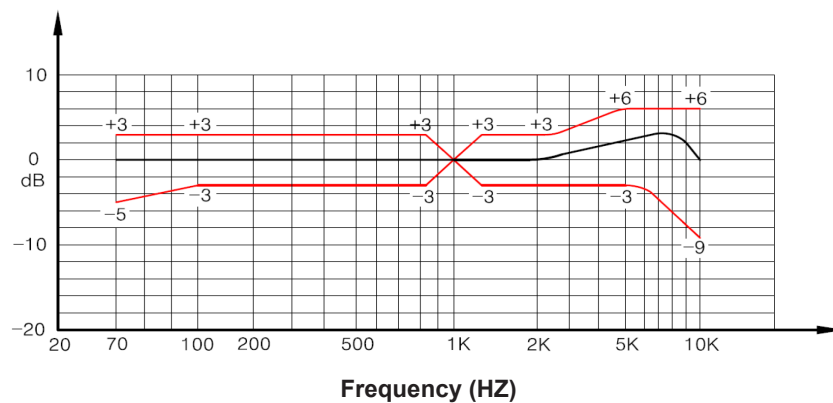
Judgement Test Condition : a) Temperature: $(20\pm 2)^{\circ}\text{C}$ b) Humidity: 60 ~ 70% c) Pressure: 86 ~ 106kPa

Measurement Block Diagram

Schematic Diagram $V_s = 4.5\text{V}$; $R_1 = 2.2\text{k}\Omega$



Response curve



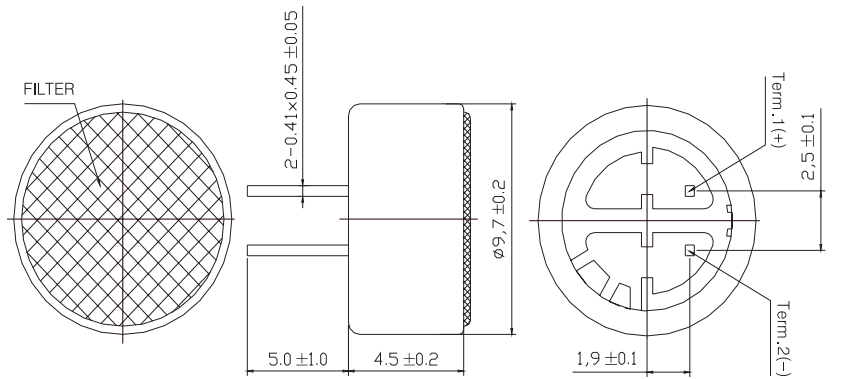
Newark.com/multicomp-pro
Farnell.com/multicomp-pro
Element14.com/multicomp-pro

multicomp PRO

Microphone Omnidirectional

multicomp **PRO**

Dimensions



Dimensions : Millimetres

Tolerance : ±0.2mm

Part Number Table

Description	Part Number
Microphone, Omnidirectional, 100Hz to 16kHz, 2V to 10V, -40 dB	MCKPCM-97H45P-40DB-4808

Important Notice : This data sheet and its contents (the "Information") belong to the members of the AVNET group of companies (the "Group") or are licensed to it. No licence is granted for the use of it other than for information purposes in connection with the products to which it relates. No licence of any intellectual property rights is granted. The Information is subject to change without notice and replaces all data sheets previously supplied. The Information supplied is believed to be accurate but the Group assumes no responsibility for its accuracy or completeness, any error in or omission from it or for any use made of it. Users of this data sheet should check for themselves the Information and the suitability of the products for their purpose and not make any assumptions based on information included or omitted. Liability for loss or damage resulting from any reliance on the Information or use of it (including liability resulting from negligence or where the Group was aware of the possibility of such loss or damage arising) is excluded. This will not operate to limit or restrict the Group's liability for death or personal injury resulting from its negligence. Multicomp Pro is the registered trademark of Premier Farnell Limited 2019.

Newark.com/multicomp-pro
Farnell.com/multicomp-pro
Element14.com/multicomp-pro

multicomp **PRO**