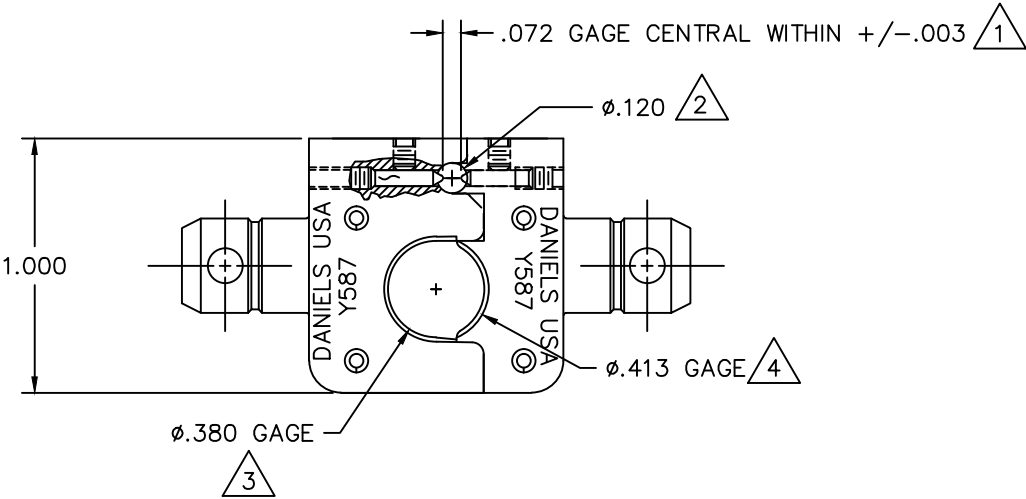
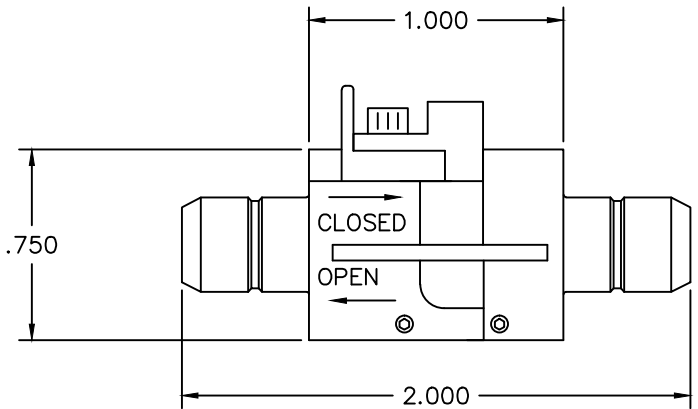


REVISIONS				
REV. SYM.	E.C.O. NUMBER	DESCRIPTION	BY DATE	APP'D DATE
1		ORIGINAL RELEASE	JWJ 8/8/00	RRR 8/8/00



**UNCONTROLLED DOCUMENT
WILL NOT BE UPDATED**

- △ 4 USE DMC G410.
- △ 3 USE DMC G409.
- △ 2 USE DMC G408.
- △ 1 USE DMC G407.

1. FUNCTIONAL EQUIVALENT AMP 220015-1.

NOTES:

RESTRICTED & CONFIDENTIAL CONFIDENTIAL PROPERTY OF DANIELS MANUFACTURING CORP. NOT TO BE DISCLOSED TO OTHERS, REPRODUCED OR USED FOR ANY OTHER PURPOSE, EXCEPT AS AUTHORIZED IN WRITING BY DANIELS MANUFACTURING. MUST BE RETURNED TO DANIELS MANUFACTURING CORP. ON COMPLETION OF ORDER OR OTHER PURPOSE FOR WHICH LENT.	MATERIAL	ITEM	PART NO.	QTY.	DESCRIPTION/REMARKS																																
	HEAT TREAT	DRN.	J. JOYCE	DATE	8/8/00																																
		CHK'D.	RRR	DATE	8/8/00																																
	FINISH	APP'D.		DATE		<table border="1"> <tr> <td colspan="4">TITLE</td> </tr> <tr> <td colspan="4" style="text-align: center;">DIE SET ENVELOPE DRAWING</td> </tr> <tr> <td colspan="4">WHERE USED:</td> </tr> <tr> <td>SIZE</td> <td>SCALE</td> <td>CAD P/N</td> <td>SHEET</td> <td>OF</td> </tr> <tr> <td>B</td> <td>2X</td> <td>Y587-ENV</td> <td>1</td> <td>1</td> </tr> <tr> <td>POSTING</td> <td colspan="2">DWG. NO.</td> <td colspan="2">REV.</td> </tr> <tr> <td></td> <td colspan="2">Y587-ENV</td> <td colspan="2">1</td> </tr> </table>	TITLE				DIE SET ENVELOPE DRAWING				WHERE USED:				SIZE	SCALE	CAD P/N	SHEET	OF	B	2X	Y587-ENV	1	1	POSTING	DWG. NO.		REV.			Y587-ENV		1
TITLE																																					
DIE SET ENVELOPE DRAWING																																					
WHERE USED:																																					
SIZE	SCALE	CAD P/N	SHEET	OF																																	
B	2X	Y587-ENV	1	1																																	
POSTING	DWG. NO.		REV.																																		
	Y587-ENV		1																																		
DO NOT SCALE DRAWING	NOTE:	THIS DRAWING IS AN OUTLINE DRAWING OF THE RESPECTIVE DMC PART NUMBER INDICATED. ACTUAL DMC PART NUMBER IS DRAWING NUMBER WITHOUT THE "-ENV" SUFFIX.																																			



Mouser Electronics

Authorized Distributor

Click to View Pricing, Inventory, Delivery & Lifecycle Information:

[Daniels Manufacturing:](#)

[Y587](#)