

EV-GBM4C-DC125A-3,5M50ESBK00 - DC charging cable



1627317

<https://www.phoenixcontact.com/us/products/1627317>

Please be informed that the data shown in this PDF document is generated from our online catalog. Please find the complete data in the user documentation. Our general terms of use for downloads are valid.



CHARX connect, DC charging cable with Vehicle Connector, open cable end, with protective cap, GB/T, GB/T 20234.3-2015, cable: 3.5 m, Special cable stripping (0.5 m)

Product description

DC charging cable with vehicle charging connector and free cable end for fast charging of electric vehicles (EV) with direct current (DC) via GB/T vehicle charging inlets, for installation at charging stations for e-mobility (EVSE)

Commercial data

Item number	1627317
Packing unit	1 pc
Minimum order quantity	1 pc
Note	Made to order (non-returnable)
Sales key	EM01
Product key	XWBAAG
GTIN	4055626301471
Weight per piece (including packing)	6.62 kg
Weight per piece (excluding packing)	6.501 kg
Customs tariff number	85444290
Country of origin	DE

EV-GBM4C-DC125A-3,5M50ESBK00 - DC charging cable



1627317

<https://www.phoenixcontact.com/us/products/1627317>

Technical data

Notes

General	Special cable stripping (0.5 m)
---------	---------------------------------

Product properties

Product type	DC charging cable
Product family	CHARX connect
Application	DC charging cable with Vehicle Connector, open cable end, with protective cap
Charging standard	GB/T
Charging mode	Mode 4

Electrical properties

Type of charging current	DC
Charging power	125 kW
Charging current	125 A

Temperature sensors (Pt 1000)

Sensor type	Pt 1000
Standards/regulations	DIN EN 60751
Attachment point	Sensor for the DC contacts
Switch-off temperature	90 °C ±1 K (equivalent to a Pt 1000 value of 1346.5 Ω)
Long-term stability	0.06 % (after 1000 hours at 130 °C)
Recommended measured current	1 mA (1 V at 0°C)
Coefficient	3850 ppm/K
Ambient temperature	-50 °C ... 130 °C (Operation)

Cable/line

Cable length	3.5 m
Stripping length of the sheath	500 mm ±20 mm

Standards and regulations

Standards

Standards/regulations	GB/T 20234.3-2015
-----------------------	-------------------

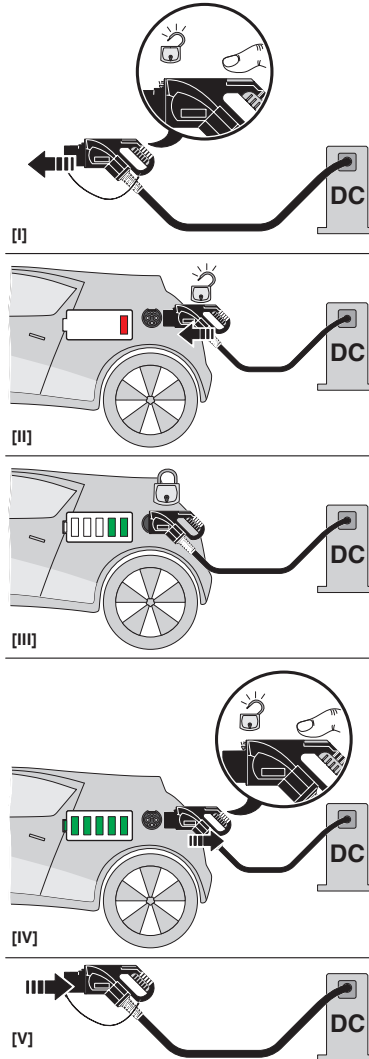
EV-GBM4C-DC125A-3,5M50ESBK00 - DC charging cable

1627317

<https://www.phoenixcontact.com/us/products/1627317>

Drawings

Schematic diagram



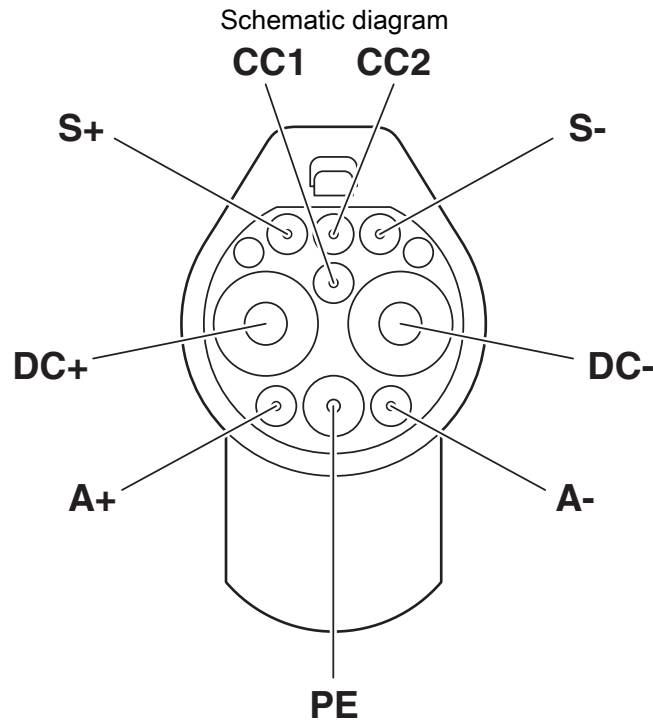
Operating instructions

EV-GBM4C-DC125A-3,5M50ESBK00 - DC charging cable

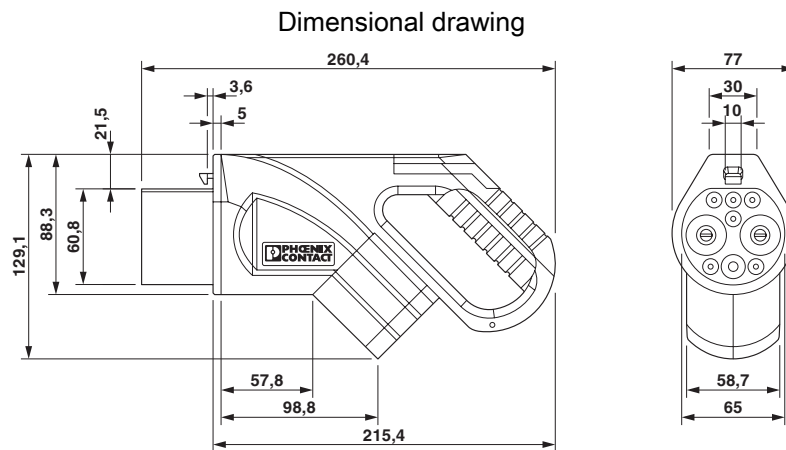


1627317

<https://www.phoenixcontact.com/us/products/1627317>



Pin assignment of the Vehicle Connector



Make sure that the vehicle charging connector is placed in an appropriate charging connector holder, which ensures a minimum protection rating of IP24 in accordance with IEC 61851-1, for the entire time between charging. To create this charging connector holder, use the dimensions of the vehicle charging connector. Detailed dimensions can also be found in the Download area.

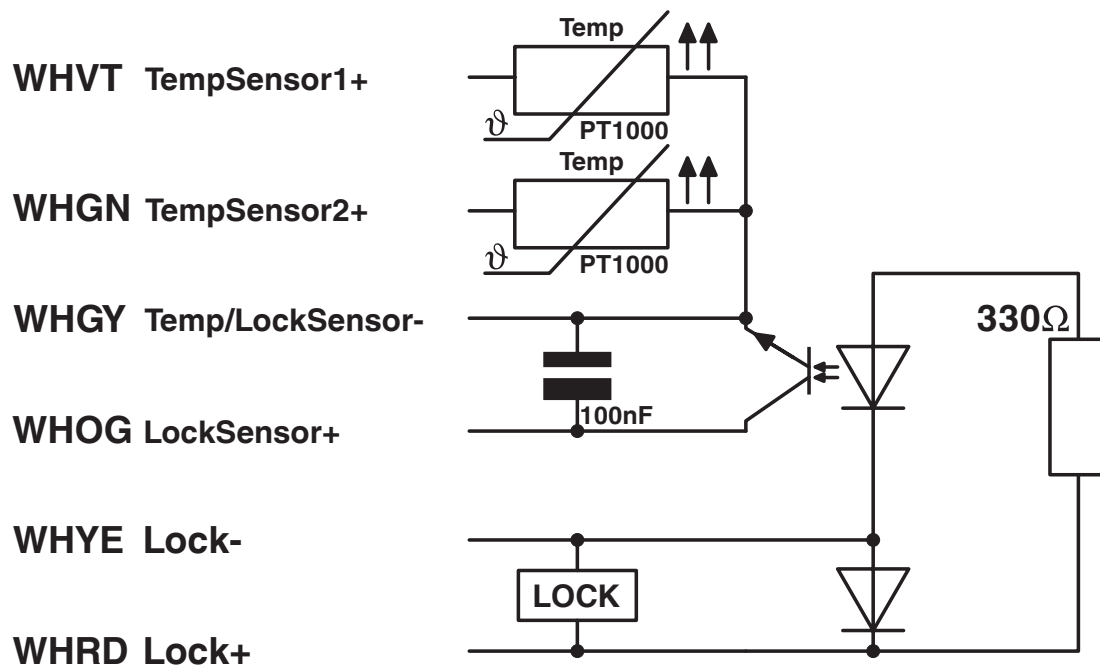
EV-GBM4C-DC125A-3,5M50ESBK00 - DC charging cable



1627317

<https://www.phoenixcontact.com/us/products/1627317>

Block diagram



Block diagram GB/T DC

EV-GBM4C-DC125A-3,5M50ESBK00 - DC charging cable



1627317

<https://www.phoenixcontact.com/us/products/1627317>

Environmental product compliance

China RoHS	Environmentally Friendly Use Period = 10; For information on hazardous substances, refer to the manufacturer's declaration available under "Downloads"
------------	---

EV-GBM4C-DC125A-3,5M50ESBK00 - DC charging cable



1627317

<https://www.phoenixcontact.com/us/products/1627317>

Accessories

EV-GBDC-PARK-R - Charging connector holder

1623496

<https://www.phoenixcontact.com/us/products/1623496>



CHARX connect, Charging connector holder, Accessories, for vehicle charging connectors on charging stations (EVSE), GB/T, GB/T 20234.3, Front mounting, housing: black

EV-GBDC-PARK-SW - Charging connector holder

1623497

<https://www.phoenixcontact.com/us/products/1623497>



CHARX connect, Charging connector holder, Accessories, for vehicle charging connectors on charging stations (EVSE), GB/T, GB/T 20234.3, Front mounting, Park position with pushbutton (N/C contact) to detect the plug state., housing: black

EV-GBM4C-DC125A-3,5M50ESBK00 - DC charging cable



1627317

<https://www.phoenixcontact.com/us/products/1627317>

EV-GBDC-PARK - Charging connector holder

1623770

<https://www.phoenixcontact.com/us/products/1623770>



CHARX connect, Charging connector holder, Accessories, for vehicle charging connectors on charging stations (EVSE), GB/T, GB/T 20234.3, Front mounting, housing: black

Phoenix Contact 2023 © - all rights reserved

<https://www.phoenixcontact.com>

Phoenix Contact USA
586 Fulling Mill Road
Middletown, PA 17057, United States
(+717) 944-1300
info@phoenixcon.com