



## ■ Features

- Land Grid Array(LGA)surface mount
- Ultra compact size (12.4x12.4x4mm)
- 3~14Vdc wide input range
- Programmable output voltage from 0.9~5.5Vdc
- High efficiency up to 90%@ 12Vin
- Remote ON/OFF control
- Ultra-wide operating temperature range -40 ~ +82°C
- Protections: Short circuit (Continuous)
- No minimum load required
- 3 years warranty

## ■ Applications

- Telecom system
- Server and storage equipment
- Industrial control facility
- Distributed power architectures
- Intermediate bus voltage applications
- Renewable energy
- Battery management system(BMS)
- Field programmable gate array(FPGA)

## ■ GTIN CODE

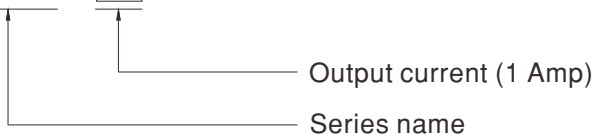
MW Search: <https://www.meanwell.com/serviceGTIN.aspx>

## ■ Description

The SPOL-01 series is a 1 Ampere non-isolated programmable point-of-load DC-to-DC converter with SMD package ideal for embedded applications. Its main features include ultra-compact size (12.4\*12.4\*4mm), wide input range 3~14Vdc and tunable output voltage from 0.9~5.5 Vdc via external resistor, wide working temperature -40~+82°C, remote ON/OFF function and short circuit protection. This makes it very suitable for intermediate bus architectures found in various applications such as industrial, distributed power, telecom and datacom applications.

## ■ Model Encoding

SPOL - 01





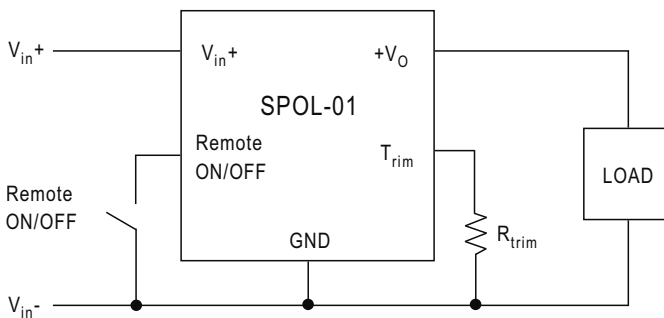
ORDER NO.	INPUT			OUTPUT		EFFICIENCY (TYP.)	CAPACITOR LOAD (MAX.)
	V <sub>in</sub> RANGE	I <sub>in</sub>		V <sub>out</sub>	I <sub>out</sub>		
		NO LOAD	FULL LOAD				
SPOL-01	Normal 12V (3 ~ 14V)	15mA	510mA	5.5V	1.0A max.	90%@5.5V	200μF
			460mA	5V		89.5%@5V	
			320mA	3.3V		86%@3.3V	
			250mA	2.5V		83%@2.5V	
			200mA	1.8V		79%@1.8V	
			170mA	1.5V		75%@1.5V	
			150mA	1.2V		71%@1.2V	
			120mA	0.9V		67%@0.9V	

Note: The efficiency is test by normal input 12Vdc and full load @25°C

**Output Voltage Trim**

The R<sub>trim</sub> resistor equation

$$R_{trim} (K\Omega) = \frac{49.1355}{V_o - 0.895} - 10.7$$



Output Voltage	Calculated R <sub>trim</sub> (KΩ)
5.5V	0(Short)
5V	1.3
3.3V	9.8
2.5V	20.2
1.8V	44.2
1.5V	71.3
1.2V	150
0.895V	∞(Open)

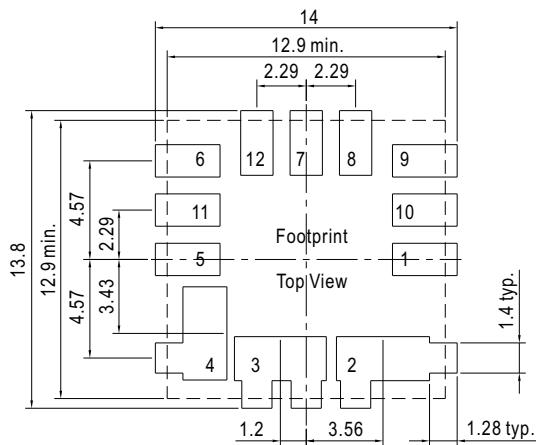
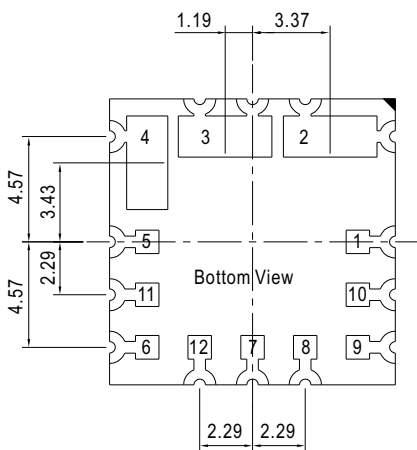
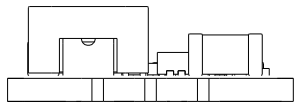
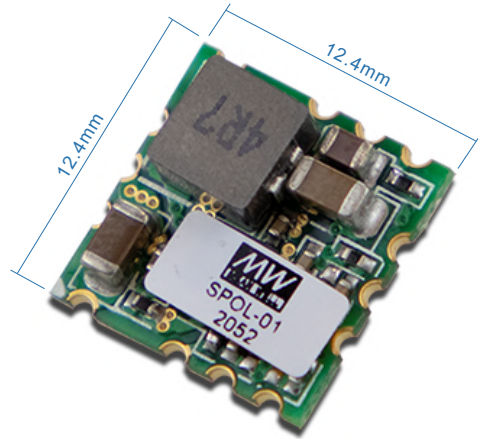
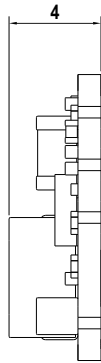
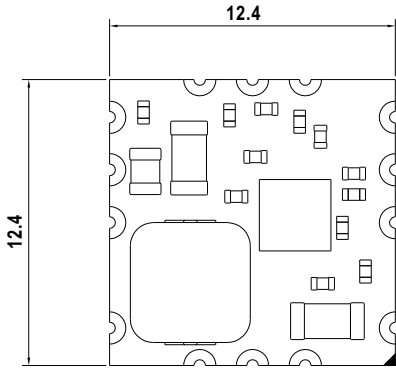
The output voltage may be adjusted over a limited range by connection an external trim resistor (R<sub>trim</sub>) between the trim pin and ground.



SPECIFICATION				
INPUT	VOLTAGE RANGE	3~14Vdc		
	START-UP TIME	6ms		
	START-UP VOLTAGE	3.0V		
	UNDER VOLTAGE SHUTDOWN (Typ.)	2.2V		
	RECOMMEND EXTERNAL FUSE	2A		
OUTPUT	VOLTAGE ACCURACY	±3%		
	RATED CURRENT	1.0A		
	OUTPUT VOLTAGE TRIM <small>Note.2</small>	0.9V ~ 5.5V max. (Please see page 2 for more detail)		
	RATED POWER	5.5W max.		
	RIPPLE & NOISE <small>Note.3</small>	40mVp-p		
	LINE REGULATION <small>Note.4</small>	±0.3%		
	LOAD REGULATION <small>Note.5</small>	±0.3%		
	SWITCHING FREQUENCY (Typ.)	800KHz		
MINIMUM LOAD	No minimum load required			
PROTECTION	SHORT CIRCUIT	Protection type : Continuous(No damage), automatic recovery		
FUNCTION	REMOTE CONTROL	Positive Power ON : Open or 1.6Vdc < R.C < 5Vdc Positive Power OFF : Short or 0Vdc < R.C < 0.1Vdc		
ENVIRONMENT	COOLING METHOD	Free-air convection		
	WORKING TEMP.	-40 ~ +82°C (Refer to "Derating Curve")		
	WORKING HUMIDITY	20% ~ 90% RH non-condensing		
	STORAGE TEMP., HUMIDITY	-55 ~ +125°C, 10 ~ 95% RH non-condensing		
	TEMP. COEFFICIENT	0.03% / °C (0 ~ 90°C)		
	SOLDERING TEMPERATURE	Please see page 7 for more detail		
	VIBRATION	10 ~ 500Hz, 2G 10min./1cycle, period for 60min. each along X, Y, Z axes		
SAFETY & EMC <small>(Note.6)</small>	SAFETY STANDARDS	LVD BS EN/EN62368-1 approved ; EAC TP TC 004 pending		
	EMC EMISSION	Parameter	Standard	Test Level / Note
		Conducted	BS EN/EN55032	Class A(with external components)
	EMC IMMUNITY	Radiated	BS EN/EN55032	Class A(with external components)
		Parameter	Standard	Test Level / Note
		ESD	BS EN/EN61000-4-2	Level 3, ± 8KV air, ± 6KV contact
		EFT/Burest	BS EN/EN61000-4-4	Level 3, 2.0KV
Surge	BS EN/EN61000-4-5	Level 4, 2KV		
OTHERS	MTBF	2600Khrs MIL-HDBK-217F(25°C)		
	DIMENSION (L*W*H)	12.4*12.4*4.0mm (0.488*0.488*0.157 inch)		
	PACKING	1g ; Please see page 10 for more detail		
NOTE	<p>1.All parameters are specified at normal input(12Vdc), rated load, 25°C 70% RH ambient.</p> <p>2.The output voltage range is limited by Vin. (Vout ≤ Vin *0.7Vdc).</p> <p>3.Ripple &amp; noise are measured at 20MHz by using a 12" twisted pair terminated with a 0.1µf capacitor, show at Vout= 1Vdc.</p> <p>4.Line regulation is measured from low line to high line at rated load.</p> <p>5.Load regulation is measured from 10% to 100% rated load.</p> <p>6.The final equipment must be re-confirm that it still meet EMC directives. For guidance on how to perform these EMC tests, please refer to "EMI testing of component power supplies."(as available on <a href="http://www.meanwell.com">http://www.meanwell.com</a>)</p> <p>※ Product Liability Disclaimer : For detailed information, please refer to <a href="https://www.meanwell.com/serviceDisclaimer.aspx">https://www.meanwell.com/serviceDisclaimer.aspx</a></p>			

**Mechanical Specification**

• Tolerance:  $\pm 0.25\text{mm}$



Pad 1&5~12=1.02x1.02mm  
Pad 2~4=4.06x1.78mm

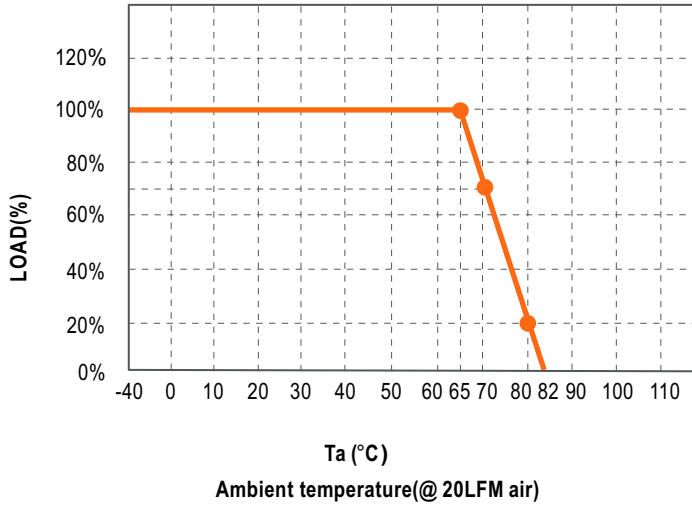
Pad 1&5~12=3x1.5mm  
Pad 2&4=4.32x2.04mm  
Pad 3=4.26x2.04mm

**Pin Define**

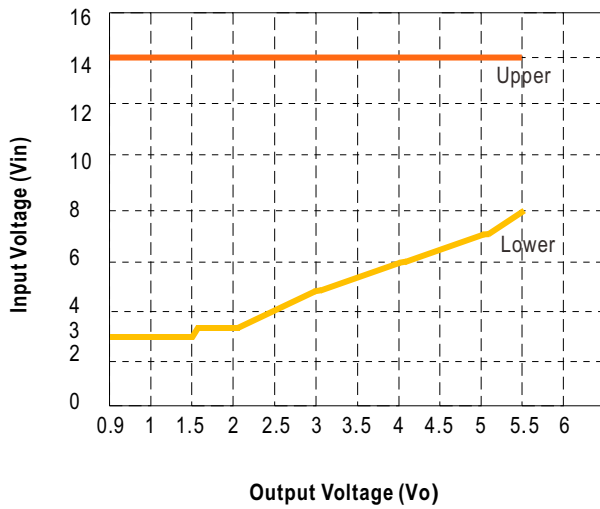
Pin-Out			
Pin No.	Function	Pin No.	Function
1	Remote ON/OFF	4	Vout
2	Vin	5,8,9,10,12	N.C
3,7,11	GND	6	Trim

N.C= No Connection

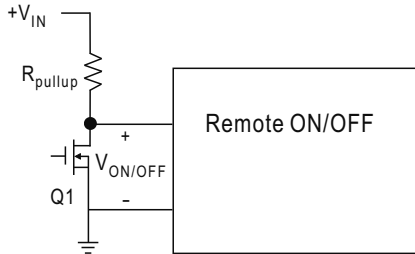
■ Derating Curve



■ Output Voltage vs. Input Voltage Set Point Area Plot



### ■ Remote ON/OFF Example Application Circuit



The circuit configuration for using the Remote ON/OFF pin is shown in figure. And the logic type active mode as the description below.

SPOL-01 ON : Q1 OFF

SPOL-01 OFF : Q1 ON

### ■ Surface Mount Information

#### 1.Pick and Place

The SPOL-01 module use an open frame construction and is designed for a fully automated assembly process. We suggest the pick and place operations is inductor.

#### 2.MSL (Moisture Sensitivity Level) Rating

The SPOL-01 module have a MSL rating of level 3.

#### 3.Storage and Handling

The recommended storage environment and handling procedures for moisture-sensitive surface mount packages is detailed in J-STD-033(Handling, Packing, Shipping and Use of Moisture/Reflow Sensitive Surface Mount Devices). Moisture barrier bags (MBB) with desiccant are required for MSL ratings of 3 or greater. These sealed packages should not be broken until time of use. Once the original package is broken, the floor life of the product at conditions of  $\leq 30^{\circ}\text{C}$  and 60% relative humidity 168 hours varies according to the MSL rating (see J-STD-033). The shelf life for dry packed SMT packages will be a maximum of 12 months from the bag seal date, when stored at the following conditions:  $< 40^{\circ}\text{C}$ ,  $< 90\%$  relative humidity.

#### 4.Post Solder Cleaning and Drying Considerations

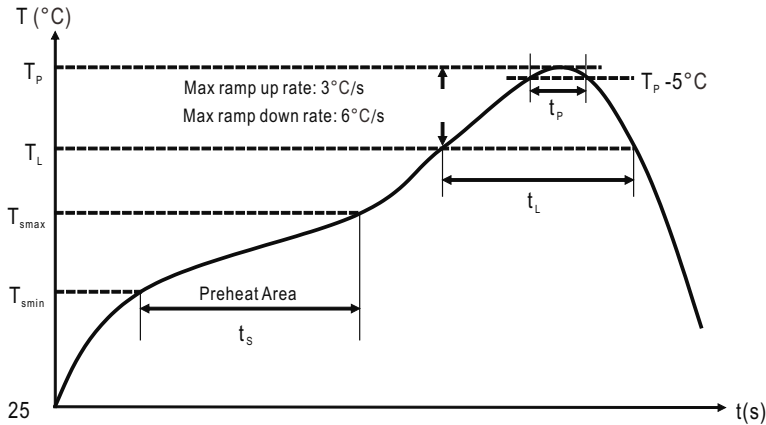
To avoid contamination on the soldering pads extra care has to be taken when handling the boards. Clean soldering surfaces don not generate as much gases when the flux reduce the metal oxides or react with contaminants during the soldering process.

#### 5.Nozzle

The SPOL-01 weight has been kept to a minimum by using open frame construction. Variables such as nozzle size, tip style, vacuum pressure and placement speed should be considered to optimize this process.

### 6. Lead-free Reflow Profile

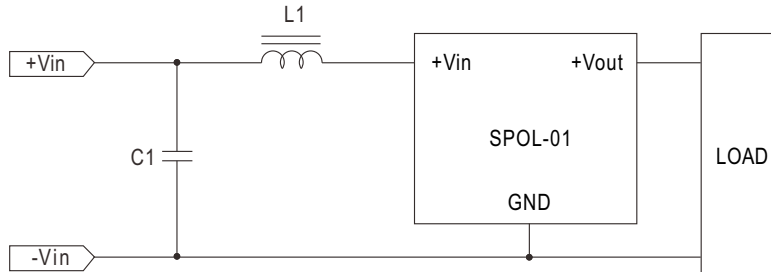
Power Systems will comply with J-STD-020 (Moisture/Reflow Sensitivity Classification for non-hermetic Solid State Surface Mount Devices) for both Pb-free solder profiles and MSL classification procedures. This standard provides a recommended forced-air-convection reflow profile based on the volume and thickness of the package. The suggested Pb-free solder paste is Sn/Ag/Cu (SAC). The recommended linear reflow profile using Sn/Ag/Cu solder is shown. Soldering outside of the recommended profile requires testing to verify results and performance.



Profile	Pb-Free Assembly
Average ramp-up rate (T <sub>smax</sub> to T <sub>P</sub> )	3°C/s max.
Preheat	
Temperature Min. (T <sub>smin</sub> )	150°C
Temperature Max. (T <sub>smax</sub> )	200°C
T <sub>s</sub> (T <sub>smin</sub> to T <sub>smax</sub> )	60-120s
Temperature (T <sub>P</sub> )	245°C
Time maintained above	
Temperature (T <sub>L</sub> )	217°C
Time (t <sub>l</sub> )	60-150s
Time within 5°C of the specified	
Peak temperature (T <sub>P</sub> )	20-40s
Ramp down rate (T <sub>P</sub> to T <sub>L</sub> )	6°C/s max
Time 25°C to peak temperature	8 minutes max.

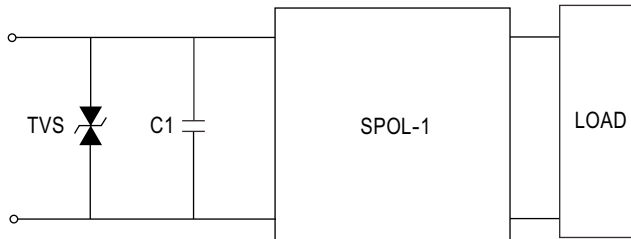
■ **EMC Suggestion Circuit**

※ Required external components to meet BS EN/EN55032 radiated Class A



C1	L1
2.2 $\mu$ F(MLCC)	1.5 $\mu$ H

※ Required external components to meet EFT and surge

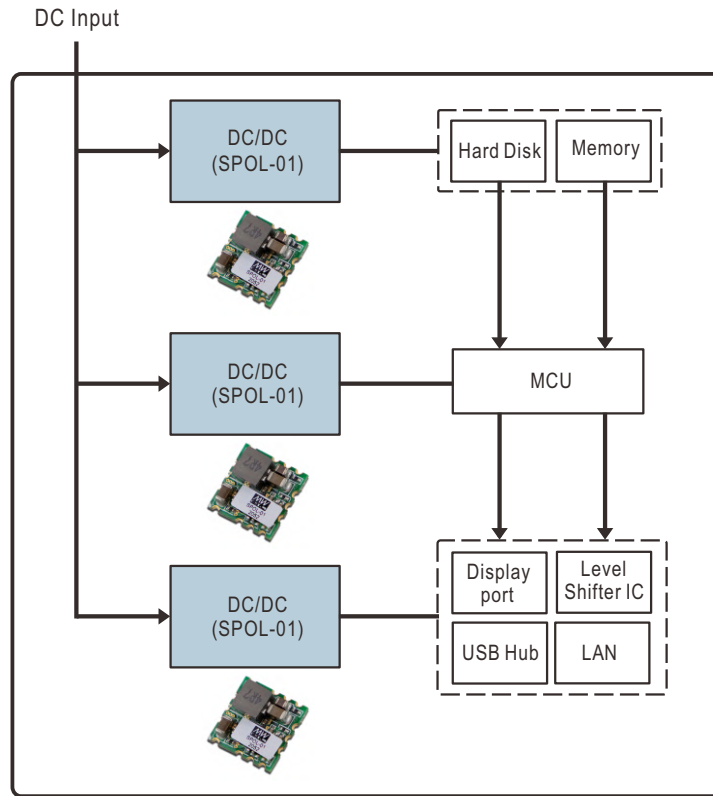


TVS	C1
5.0SMLJ22CA-IP	2200 $\mu$ H



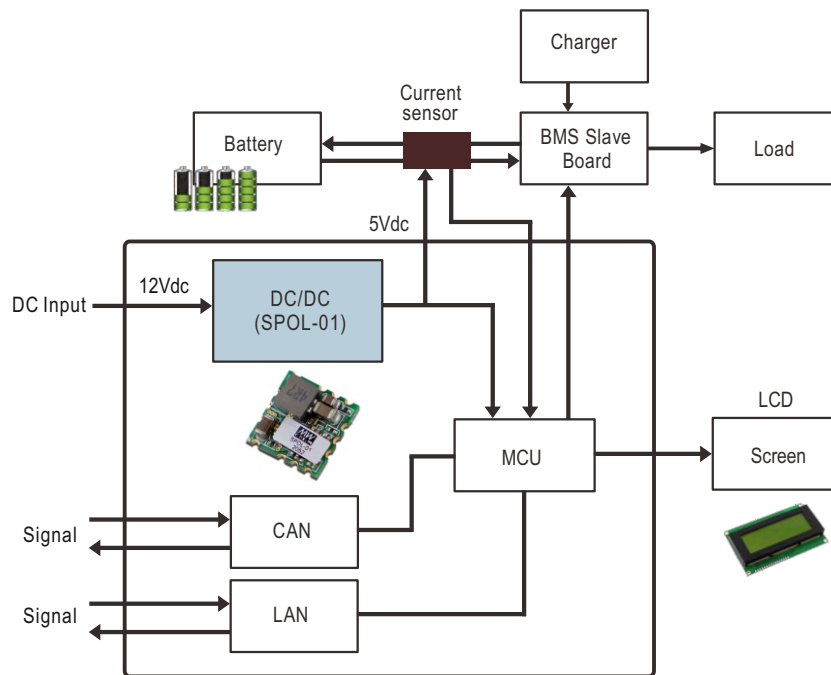
■ Typical Application

※ IPC (Industrial PC)



Field-Programmable Gate Array

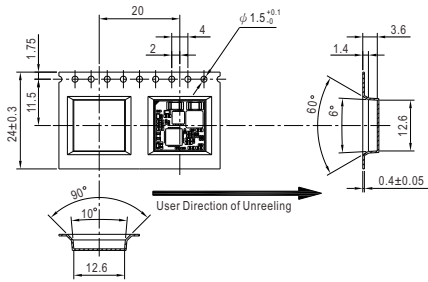
※ Green Energy



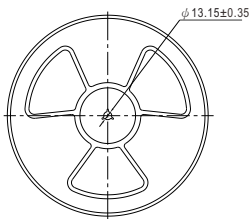
**Packing**

**Reel Packing**

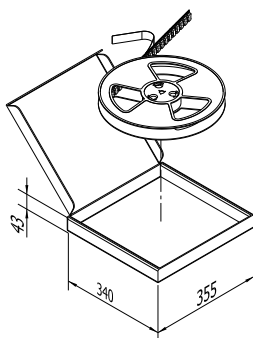
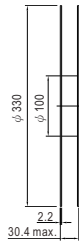
Unit : mm



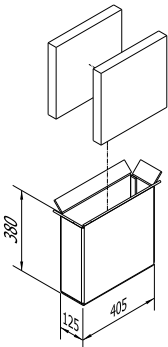
- 1). 10 sprocket hole pitch cumulative tolerance  $\pm 0.2$  mm.
- 2). All dimensions meet EIA-481-2A requirements.
- 3). Component loader per 13" reel : 650 pcs.
- 4). All dimensions =  $\pm 0.1$  mm.



Package : 1 Tape Reel = 650 pcs



1 Tape Reel = 650 converters



Carton accommodates 2 boxes 1300 converters per carton



MPQ Per Tube (PCS)	One Box G.W.	Max. Q'TY/ Carton(PCS)	One Carton G.W.
650	1.04Kg	1300	2.9Kg

Note: MOQ is not require for sample order. Each tape package consist 650pcs, please consolidate the requirements and place the order with tape package if possible.

**Installation Manual**

Please refer to : <http://www.meanwell.com/manual.html>