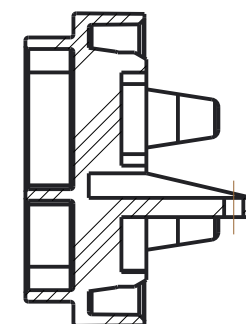
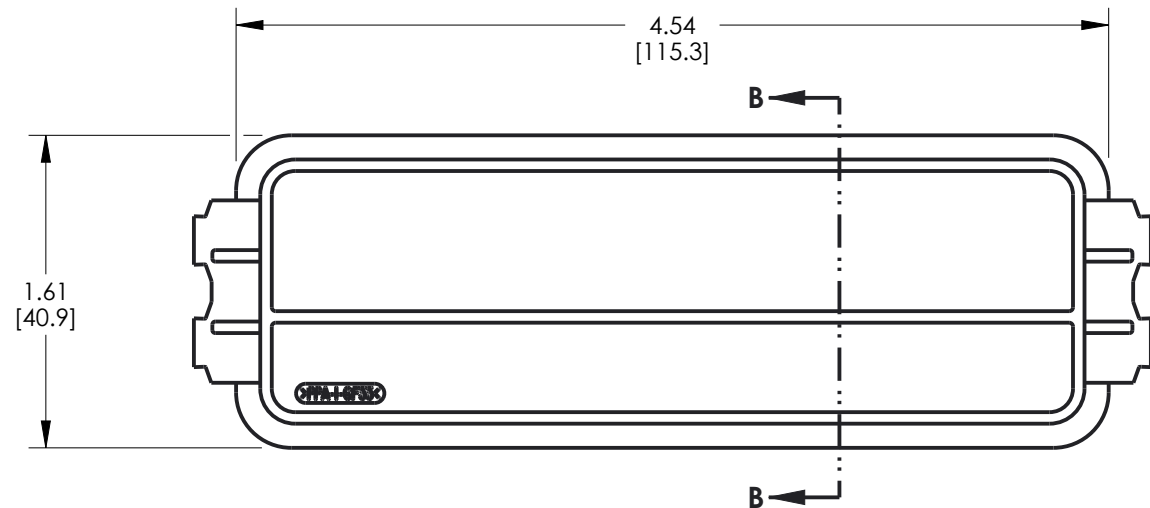


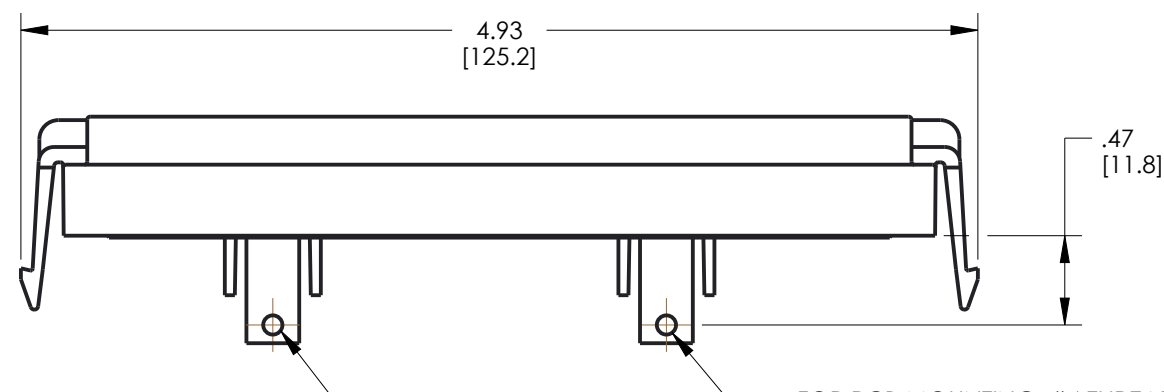
MODICE ME BLANK HEADER
PART NO. 581000055

DRAWING REVISIONS
 (RELEASE DATE ON FILE)

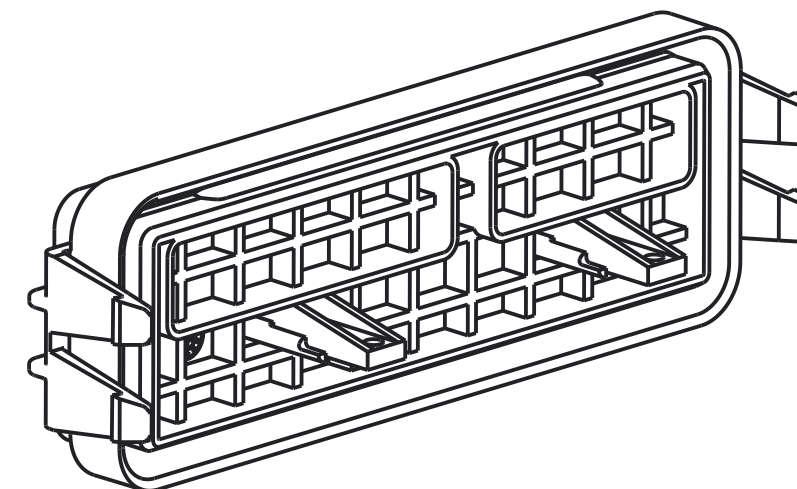
REV	DOCUMENT	APP	APPROVAL DATE
C	CO 3274	KR	7/18/16



SECTION B-B

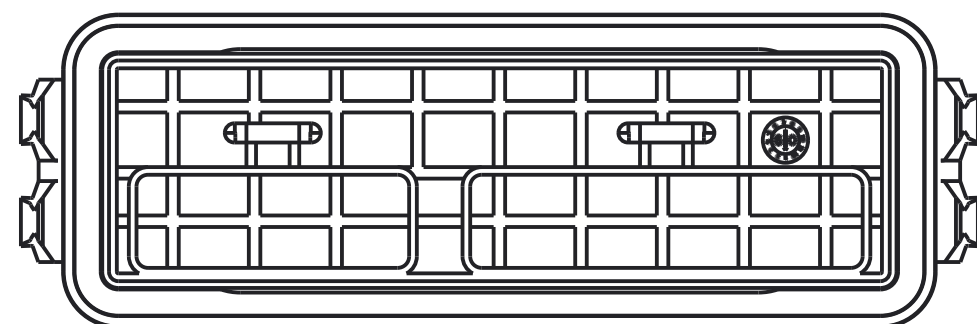


FOR PCB MOUNTING, #4 THREAD CUTTING SCREWS (TYPE 23 OR SIMILAR) ARE RECOMMENDED; TORQUE TO 2-3 IN*LBS [0.23-0.34Nm]

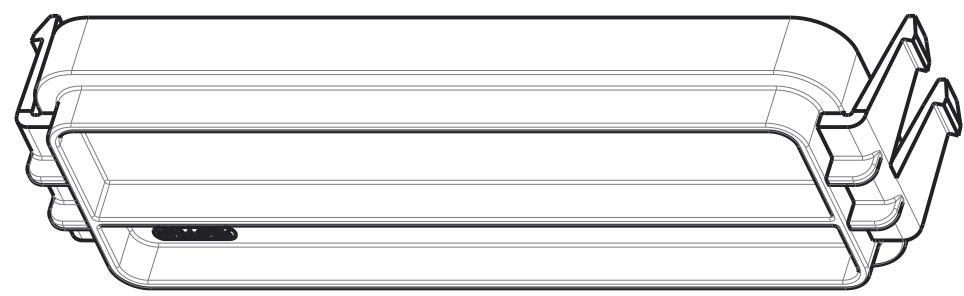
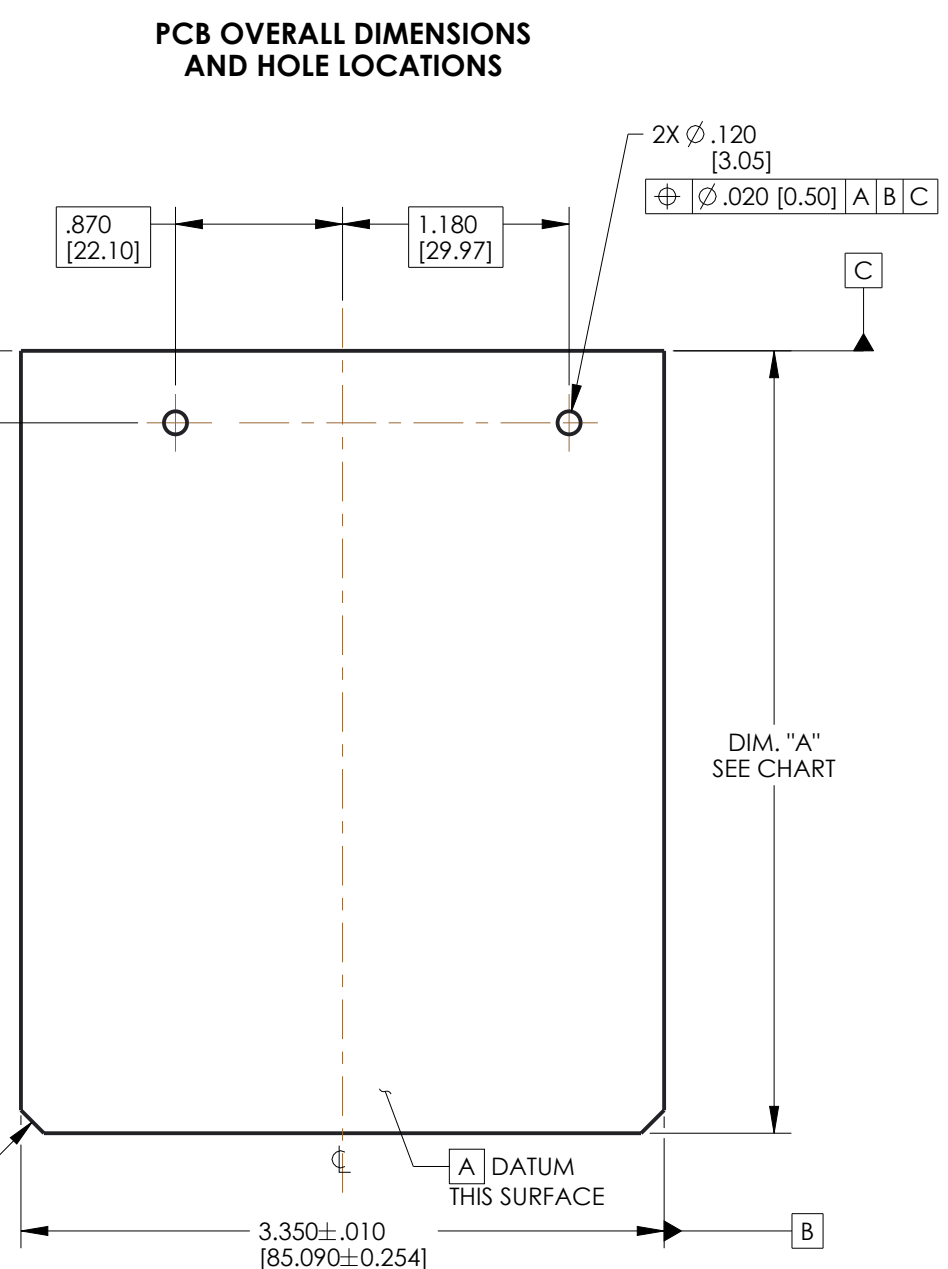
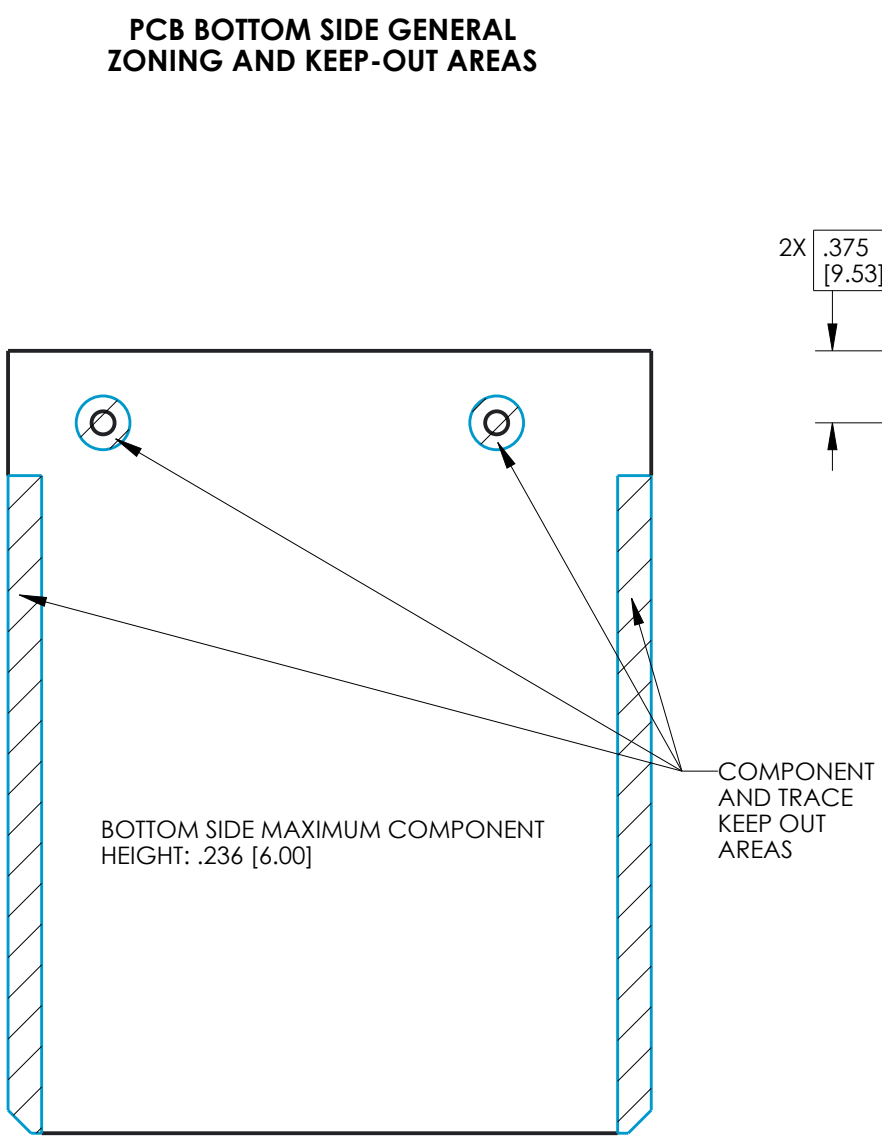
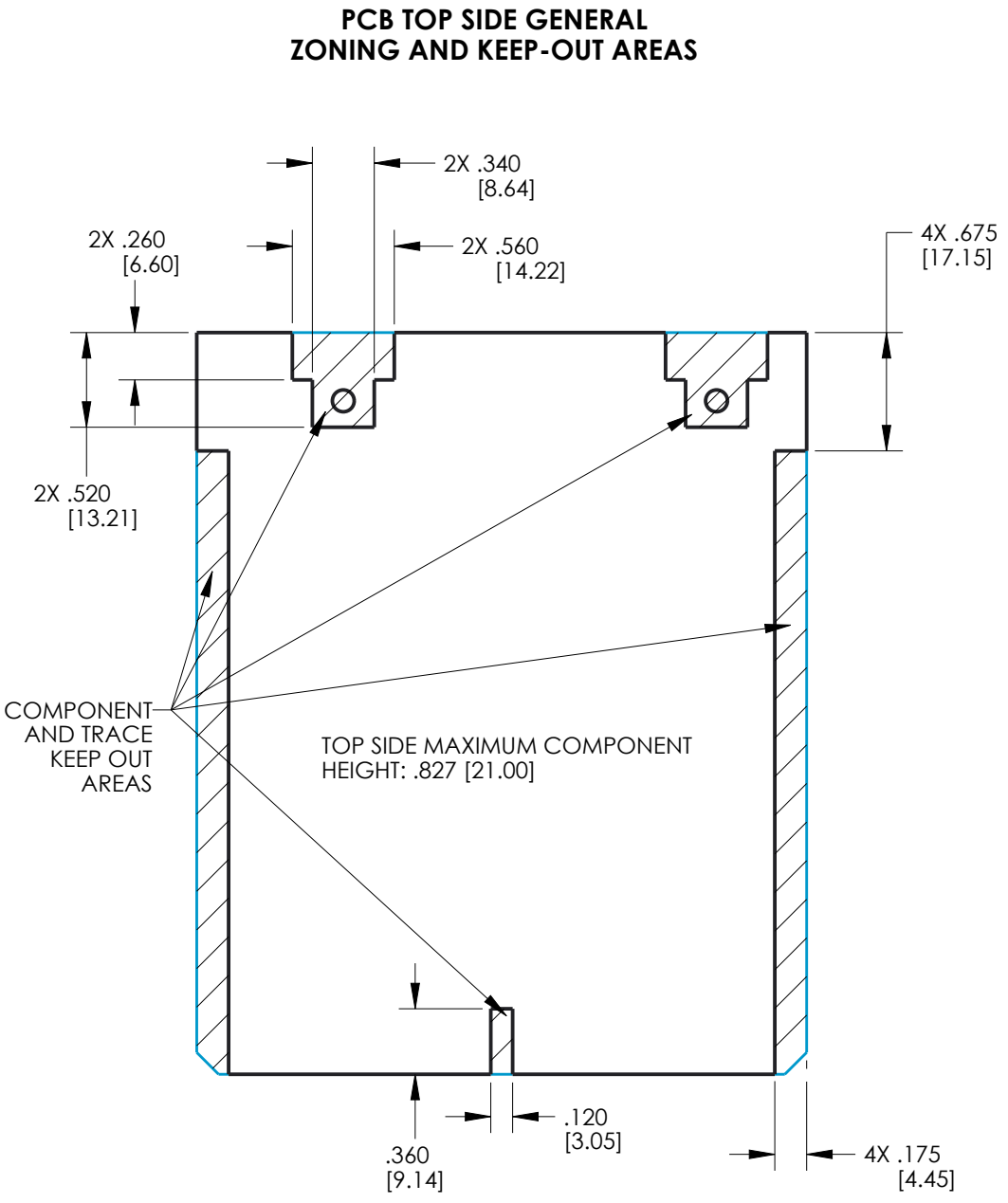
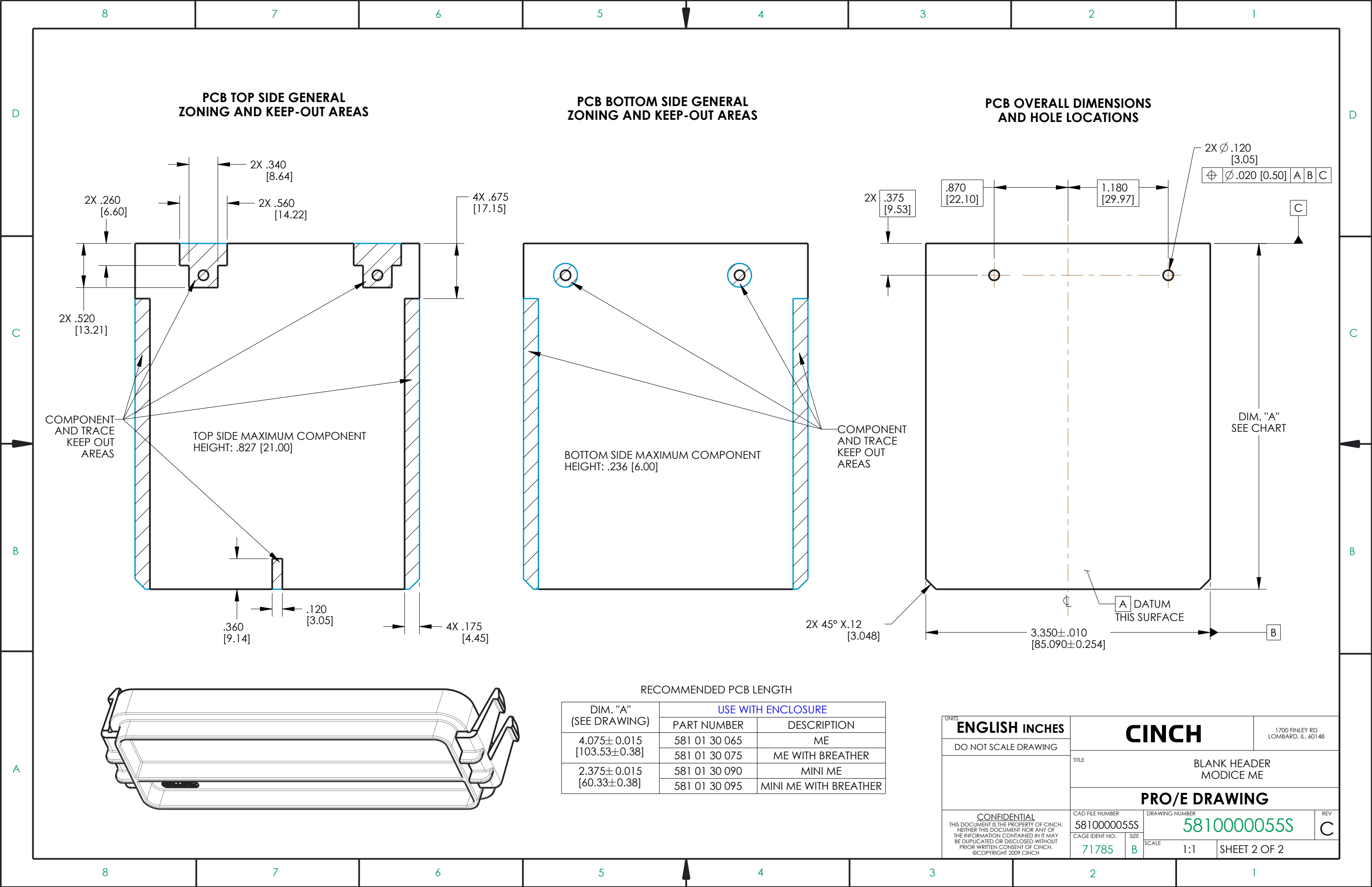


NOTES:

1. ALL DIMENSIONS ARE IN INCHES; DIMENSIONS INSIDE [.XX] ARE IN mm, AS REFERENCE ONLY
2. MATERIALS: 30% GLASS FILLED POLYMER, COLOR BLACK
3. ALL HEADERS ARE REFLOW OR WAVE SOLDERING PROCESS, ROHS COMPLIANT
4. SUGGESTED PCB THICKNESS: .062 [1.57]



UNITS ENGLISH INCHES		DESIGN ENGINEER A. ECKHART	DATE 5/24/11	MODELED BY: A. ECKHART
DO NOT SCALE DRAWING		PRO/E		1700 FINLEY RD LOMBARD, IL. 60148
CONFIDENTIAL THIS DOCUMENT IS THE PROPERTY OF CINCH. NEITHER THIS DOCUMENT NOR ANY OF THE INFORMATION CONTAINED IN IT MAY BE DUPLICATED OR DISCLOSED WITHOUT PRIOR WRITTEN CONSENT OF CINCH. ©COPYRIGHT 2011 CINCH		APPROVALS ON FILE		TITLE BLANK HEADER MODICE ME
		MATERIAL SPEC NUMBER		CONTROL SPEC NUMBER
		MATERIAL		PROJECT NUMBER A14926
		CAGE IDENT NO. 71785		DRAWING NUMBER 581000055S
		SIZE B		SCALE 1:1
		SCALE 1:1		SHEET 1 OF 2



RECOMMENDED PCB LENGTH

DIM. "A" (SEE DRAWING)	USE WITH ENCLOSURE	
	PART NUMBER	DESCRIPTION
4.075±0.015 [103.53±0.38]	581 01 30 065	ME
	581 01 30 075	ME WITH BREATHER
2.375±0.015 [60.33±0.38]	581 01 30 090	MINI ME
	581 01 30 095	MINI ME WITH BREATHER

UNITS ENGLISH INCHES	CINCH		1700 FINLEY RD LOMBARD, IL. 60148
DO NOT SCALE DRAWING	TITLE BLANK HEADER MODICE ME		
CONFIDENTIAL <small>THIS DOCUMENT IS THE PROPERTY OF CINCH. NEITHER THIS DOCUMENT NOR ANY OF THE INFORMATION CONTAINED IN IT MAY BE DUPLICATED OR DISCLOSED WITHOUT PRIOR WRITTEN CONSENT OF CINCH. ©COPYRIGHT 2009 CINCH</small>	CAD FILE NUMBER 5810000055S	DRAWING NUMBER 5810000055S	REV C
	CAGE IDENT NO. 71785	SIZE B	SCALE 1:1
	SHEET 2 OF 2		

Mouser Electronics

Authorized Distributor

Click to View Pricing, Inventory, Delivery & Lifecycle Information:

[Cinch Connectivity Solutions:](#)

[581000055](#)