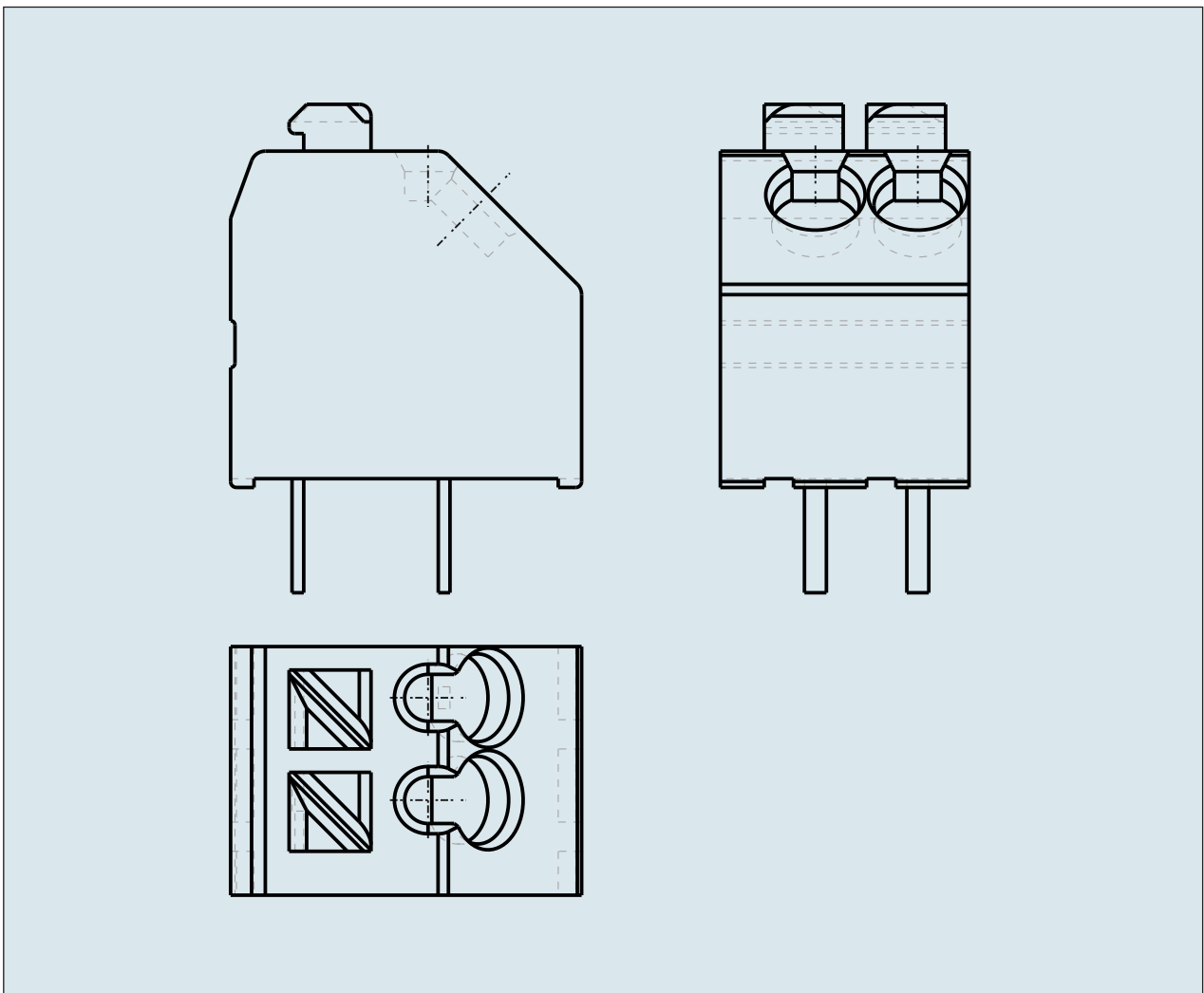
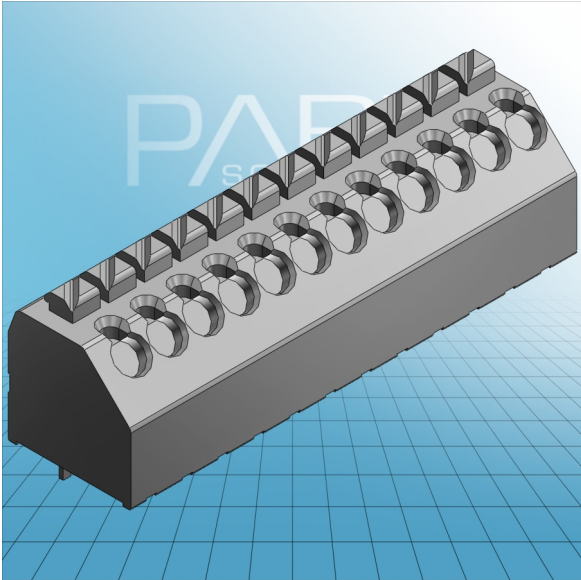


**1-CONDUCTOR PCB TERMINAL
STRIP 1 SOLDER PIN / POLE
STAGGERED PIN SPACING 3.5 MM / 0.
138 IN WITH PUSH BUTTONS**



**1-CONDUCTOR PCB TERMINAL
STRIP 1 SOLDER PIN / POLE
STAGGERED PIN SPACING 3.5 MM / 0.
138 IN WITH PUSH BUTTONS
250-202 TO 250-224**

ITEM-NO. (ITEM-NO.)	250-212
Cross section1 (Cross section / mm²)	0.2 - 1.5
Cross section2 (Cross section / AWG)	24 - 16
Strip length (Strip length / mm)	8.5 - 9.5
Measured voltage (Measured voltage / V)	320
Measured shock voltage (Measured shock voltage / kV)	4
Pollution degree (Pollution degree)	2
Current intensity (Current intensity / A)	8
RM (PIN SPACING / mm)	3.5
P (NO. OF POLES)	12
Height (Height / mm)	13.1
Width (Width / mm)	43.5
Depth (Depth / mm)	12
No. of connection Points (No. of connection Points)	12
No. of potentials (No. of potentials)	12
COLOR (COLOR)	grau
WEIGHT (WEIGHT / g)	5.73
Comment (Comment)	L = (No. of poles x Pin Spacing) + 1.5 mm
Dimensions (Dimensions)	1 +0.1 mm