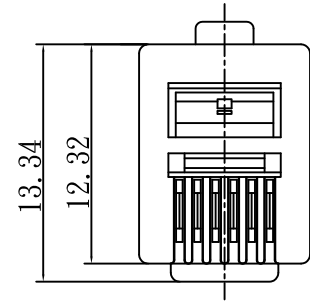
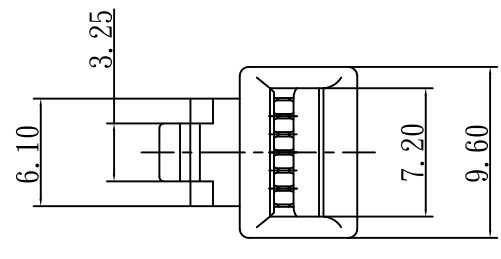
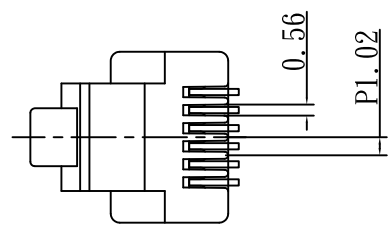
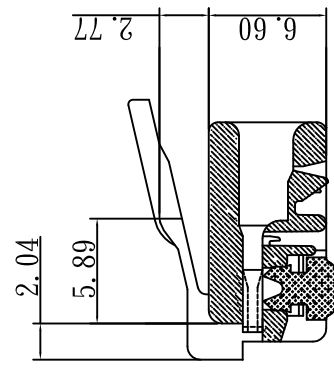
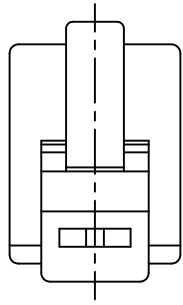


**SPECIFICATION**  
**MECHANICAL:**

1. Housing Material: Polycarbonate, UL 94V-2 NO Poison.
2. Material Contact: 6U" Below Brass. 15U" Above Phosphor Bronze.
3. Contact area Plated gold over 3u" / 6u" / 15u" / 30u" and 50u", the other area plated gold over FU".
4. Contact area plated Nickel over 60u", the other area plated Nickel over 30u".
5. Housing Color: Transparency.
6. Operation Temperature: -40° c to 80° c.



NOTE TOL: ±0.1

DRAWING		DATE		NAME		ITEM NO.: HYC-G0166X	
CHECK		2/1 (A4)		UNIT		DES.: 6P6C PLUG FLAT	
APPROVAL		DRAWING NO.		DRAWING CLASSIFICATION		SHEET 1 OF 1	
GENERAL TOLERANCE OF DIMENSIONS ±0.1		10cm		A1			

