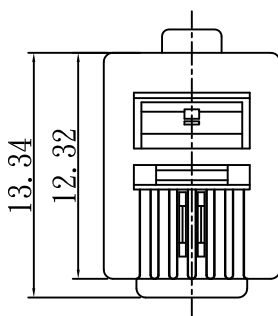
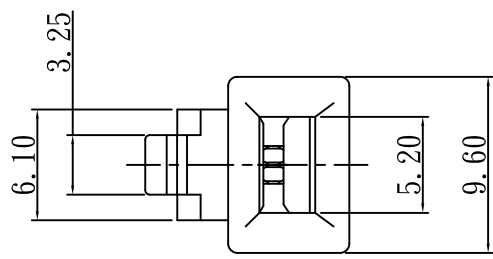
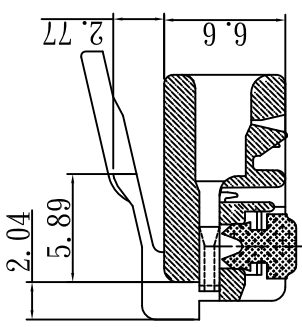
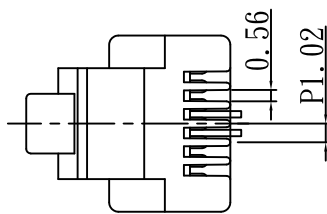
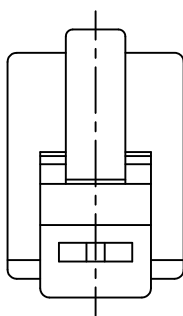


SPECIFICATION

MECHANICAL:

1. Housing Material: Polycarbonate, UL 94V-2 NO Poison.
2. Material Contact: 6U" Below Brass. 15U" Above Phosphor Bronze.
3. Contact area Plated gold over 3u"/6u"/15u"/30u" and 50u", the other area plated gold over FU".
4. Contact area plated Nickel over 60u", the other area plated Nickel over 30u".
5. Housing Color: Transparency.
6. Operation Temperature: -40°c to 80°c.



NOTE TOL: ±0.1

GENERAL TOLERANCE OF DIMENSIONS ±0.1

DRAWING CHECK APPROVAL

SCALE 2/1 (A4) UNIT mm

DRAWING NO. DRAWING CLASSIFICATION S SHEET 1 OF 1



ITEM NO.: HYC-G0162X
DES.: 6P2C PLUG FLAT

