

A

B

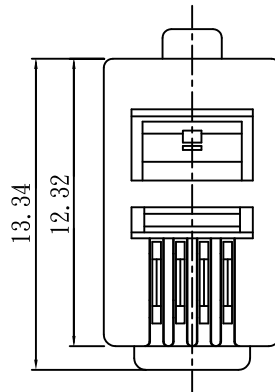
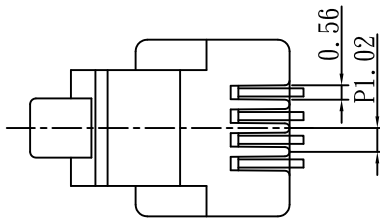
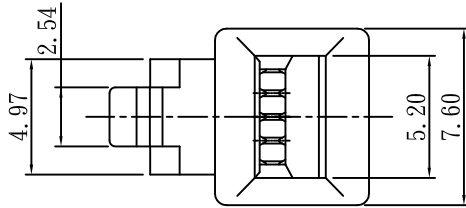
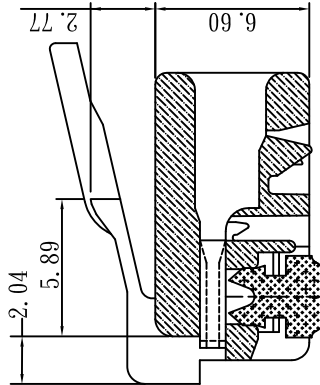
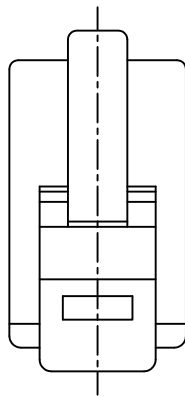
C

D

SPECIFICATION

MECHANICAL:

1. Housing Material: Polycarbonate, UHF2-94V
No Poison
2. Material Contact: Phosphor Bronze.
3. Housing Color: Transparence.
4. Operation Temperature: -40 °c to 125 °c.
5. Cable to Tensile Strength: 7.7Kgs



NOTE TOL: ±0.1

GENERAL TOLERANCE OF DIMENSIONS ±0.1

DRAWING CHECK APPROVAL

SCALE 2/1 (A4) UNIT mm

DRAWING NO. DRAWING CLASSIFICATION S SHEET 1 OF 1



ITEM NO.: HYC-G0144X
DES.: 4P4C PLUG FLAT

