

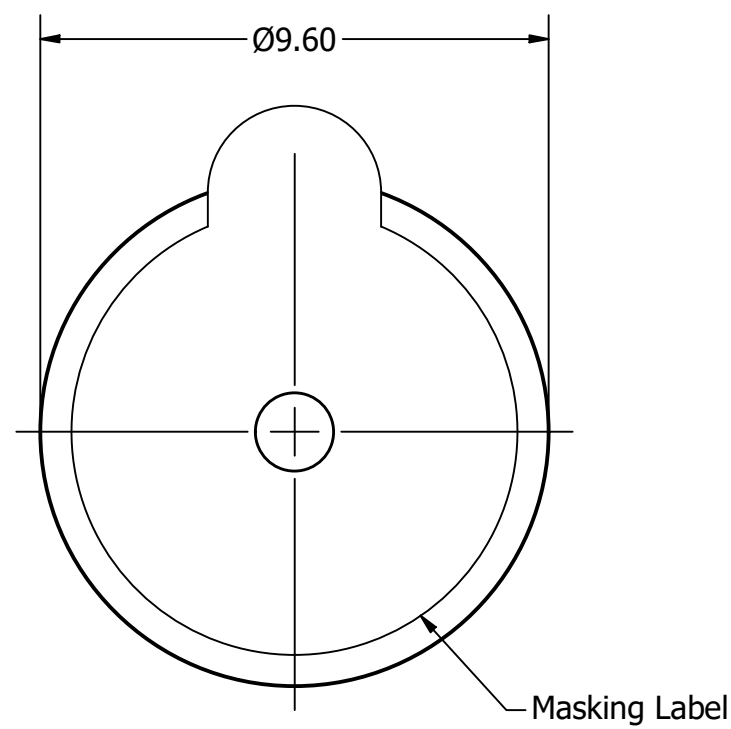


# DB UNLIMITED

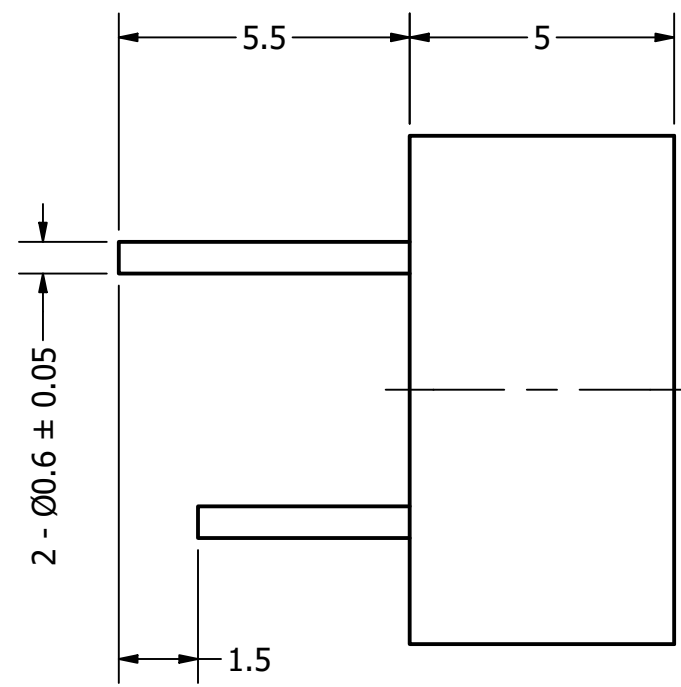
Part Number:	<b>IE092705-1</b>	
DESCRIPTION:	<b>Electro-Mechanical Indicator</b>	
DRAWN	CJ	6/20/2016
CHECKED	P.D.	3/24/2017
APPROVED	C.E.	3/24/2017

This document contains data proprietary to DB Unlimited. Any use or reproduction, in any form, without prior written permission of DB Unlimited is prohibited. All terms and conditions can be found at [www.dbunlimitedco.com](http://www.dbunlimitedco.com)

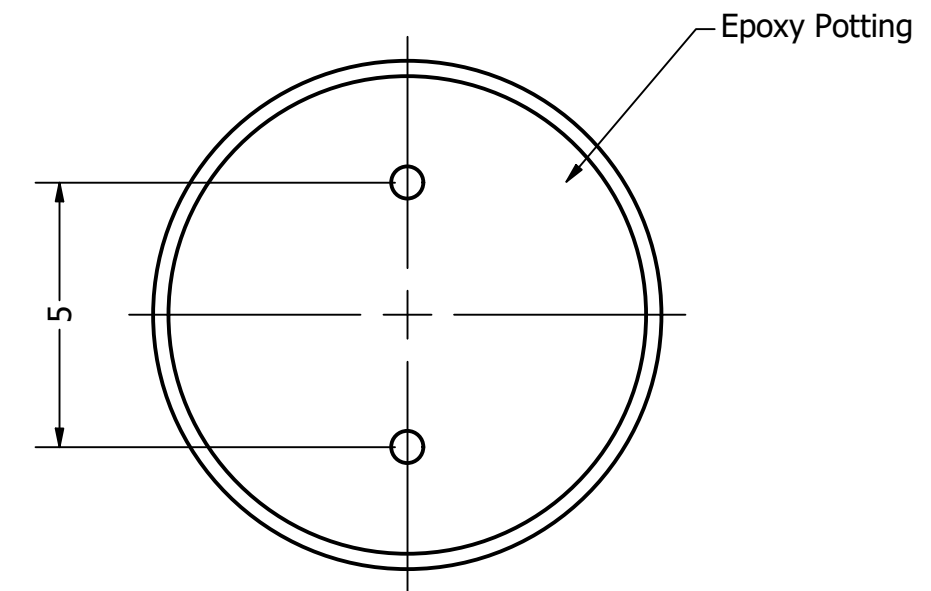
Top View



Side View



Bottom View



Items	Specifications	Conditions	REVISION HISTORY			
Sound Pressure Level	80	dB (@ 10cm)	REV	DESCRIPTION	DATE	APPROVED
Tone	Single		1	Released from Engineering	10/21/2013	J.S.
Resonant Frequency	2,730 ± 300	Hz	2	Update template, specs, add missing washtab	3/23/2017	C.E.
Rated Voltage	5	V		Updated storage temperature	4/17/2019	C.E.
Voltage Range	3 - 7	V	NOTES			
Max. Rated Current	25	mA	1) All dimensions are in mm unless otherwise noted			
Storage Temperature	-30 ~ +85	°C	2) All tolerances are ± 0.5 mm unless otherwise noted			
Operating Temperature	-30 ~ +85	°C	3) All parts meet RoHS			
Connection Method	PC Pins		4) Subject to change or redrawn without notice			
Mount Type	Thru Hole					
Housing Material	PBT					
Weight	1	g				

# Mouser Electronics

Authorized Distributor

Click to View Pricing, Inventory, Delivery & Lifecycle Information:

[DB Unlimited:](#)

[IE092705-1](#)