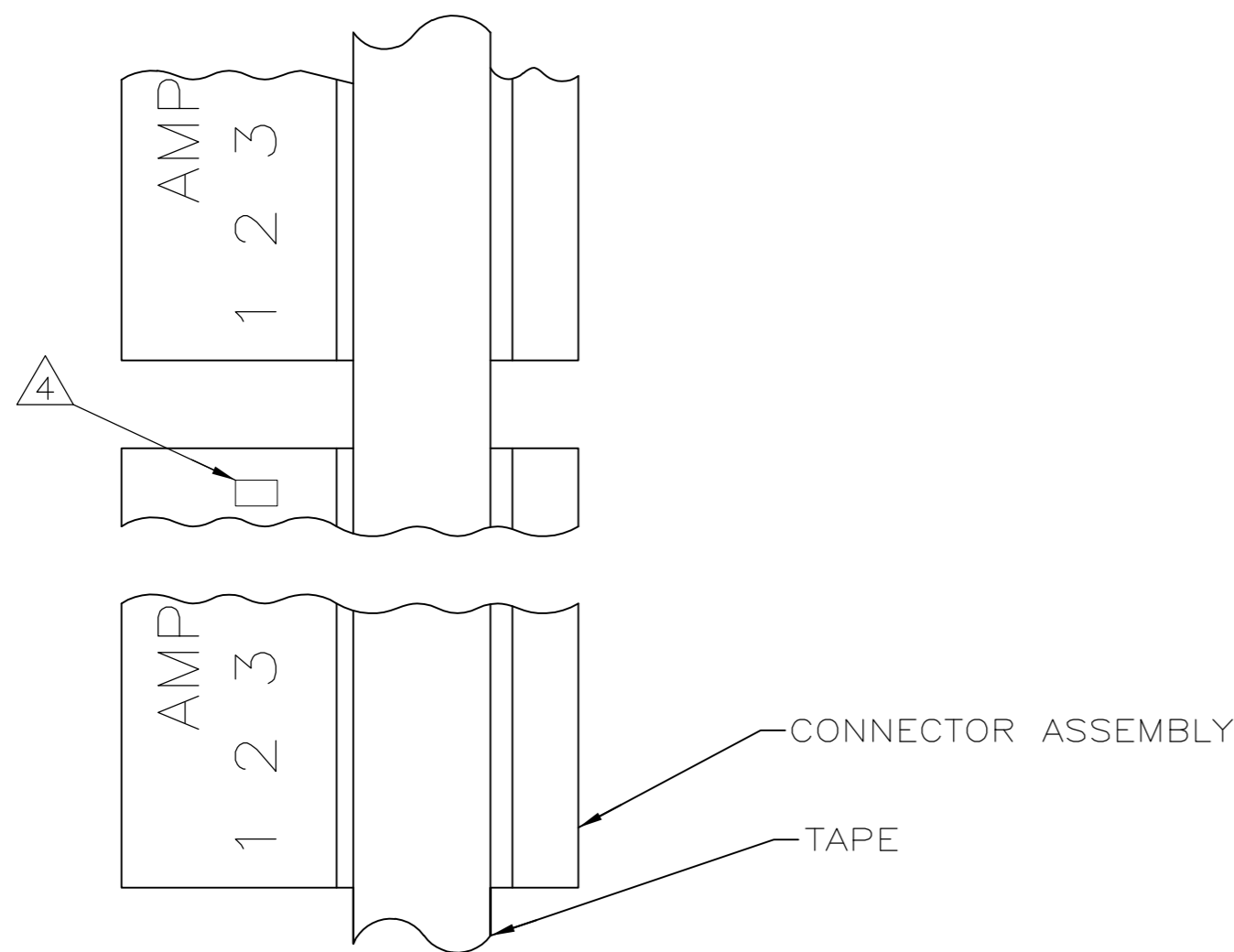


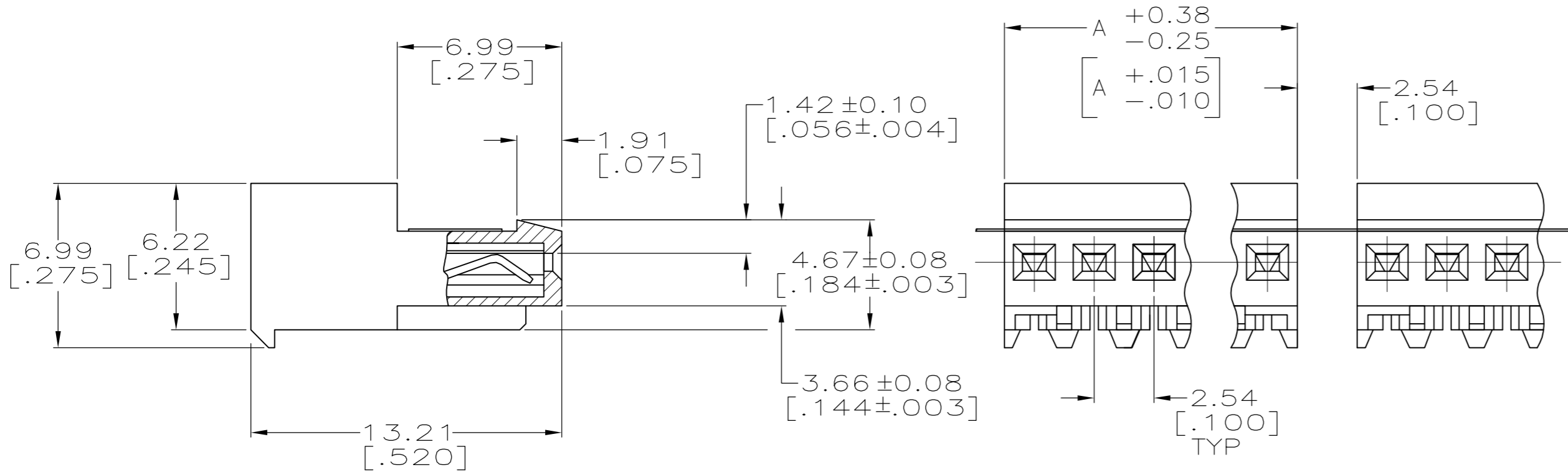
THIS DRAWING IS UNPUBLISHED. RELEASED FOR PUBLICATION
 © COPYRIGHT - By - ALL RIGHTS RESERVED.

LOC		DIST		REVISIONS			
P	LTR	DESCRIPTION		DATE	DWN	APVD	
		CM	00	AB3	REVISED PER ECR-17-018754	12FEB2018	BDA SG



- 1. MATERIAL: CONNECTOR - NYLON UL94-V2 (WHITE)
 CONTACTS - 0.30[.012] THICK COPPER ALLOY
 BRIGHT TIN-LEAD 0.00203[.000080] MIN. THICK
 FOR CONTACTS 640469-2 THRU 2-640469-8.
 MATTE WHISKER MITIGATED TIN PLATE 0.00203[.000080] MIN.
 THICK OVER NICKEL UNDERPLATE FOR CONTACTS 3-640469-2
 THRU 5-640469-8.
- 2. CONTACTS ACCEPT 24 AWG WIRE WITH 1.52[.060] MAX
 INSULATION DIAMETER.
- 3. CONTACTS MUST ACCEPT 0.64 ± 0.03[.025 ± .001] SQUARE
 POST AND REMAIN LOCKED IN POSITION.
- 4. IDENTIFICATION NUMBER FOR LAST CIRCUIT MAY
 NOT APPEAR ON ALL ASSEMBLIES.
- 5. DIMENSIONS IN BRACKETS ARE IN INCHES.
- 6. HOUSING FEATURES ARE: CLOSED END WITH LOCKING
 RAMP.
- 7. OBSOLETE PARTS: OBSOLETE CIS STREAMLINING
 PER D.RENAUD/D.SINISI
- 8. OBSOLETE PARTS

YES				
YES	71.12	[2.800]	28	5-640469-8
YES	68.58	[2.700]	27	5-640469-7
YES	66.04	[2.600]	26	5-640469-6
YES	63.50	[2.500]	25	5-640469-5
YES	60.96	[2.400]	24	5-640469-4
YES	58.42	[2.300]	23	5-640469-3
YES	55.88	[2.200]	22	5-640469-2
YES	53.34	[2.100]	21	5-640469-1
YES	50.80	[2.000]	20	5-640469-0
YES	48.26	[1.900]	19	4-640469-9
YES	45.72	[1.800]	18	4-640469-8
YES	43.18	[1.700]	17	4-640469-7
YES	40.64	[1.600]	16	4-640469-6
YES	38.10	[1.500]	15	4-640469-5
YES	35.56	[1.400]	14	4-640469-4
YES	33.02	[1.300]	13	4-640469-3
YES	30.48	[1.200]	12	4-640469-2
YES	27.94	[1.100]	11	4-640469-1
YES	25.40	[1.000]	10	4-640469-0
YES	22.86	[.900]	9	3-640469-9
YES	20.32	[.800]	8	3-640469-8
YES	17.78	[.700]	7	3-640469-7
YES	15.24	[.600]	6	3-640469-6
YES	12.70	[.500]	5	3-640469-5
YES	10.16	[.400]	4	3-640469-4
YES	7.62	[.300]	3	3-640469-3
YES	5.08	[.200]	2	3-640469-2
NO	71.12	[2.800]	28	2-640469-8
NO	68.58	[2.700]	27	2-640469-7
NO	66.04	[2.600]	26	2-640469-6
NO	63.50	[2.500]	25	2-640469-5
NO	60.96	[2.400]	24	2-640469-4
NO	58.42	[2.300]	23	2-640469-3
NO	55.88	[2.200]	22	2-640469-2
NO	53.34	[2.100]	21	2-640469-1
NO	50.80	[2.000]	20	2-640469-0
NO	48.26	[1.900]	19	1-640469-9
NO	45.72	[1.800]	18	1-640469-8
NO	43.18	[1.700]	17	1-640469-7
NO	40.64	[1.600]	16	1-640469-6
NO	38.10	[1.500]	15	1-640469-5
NO	35.56	[1.400]	14	1-640469-4
NO	33.02	[1.300]	13	1-640469-3
NO	30.48	[1.200]	12	1-640469-2
NO	27.94	[1.100]	11	1-640469-1
NO	25.40	[1.000]	10	1-640469-0
NO	22.86	[.900]	9	640469-9
NO	20.32	[.800]	8	640469-8
NO	17.78	[.700]	7	640469-7
NO	15.24	[.600]	6	640469-6
NO	12.70	[.500]	5	640469-5
NO	10.16	[.400]	4	640469-4
NO	7.62	[.300]	3	640469-3
NO	5.08	[.200]	2	640469-2
LEADFREE	DIM A	NO. OF CIRCUITS	PART NO.	



- △ SUPERSEDED BY 5-640469-8
- △ SUPERSEDED BY 5-640469-7
- △ SUPERSEDED BY 5-640469-6
- △ SUPERSEDED BY 5-640469-5
- △ SUPERSEDED BY 5-640469-4
- △ SUPERSEDED BY 5-640469-3
- △ SUPERSEDED BY 5-640469-2
- △ SUPERSEDED BY 5-640469-1
- △ SUPERSEDED BY 5-640469-0
- △ SUPERSEDED BY 4-640469-9
- △ SUPERSEDED BY 4-640469-8
- △ SUPERSEDED BY 4-640469-7
- △ SUPERSEDED BY 4-640469-6
- △ SUPERSEDED BY 4-640469-5
- △ SUPERSEDED BY 4-640469-4
- △ SUPERSEDED BY 4-640469-3
- △ SUPERSEDED BY 4-640469-2
- △ SUPERSEDED BY 4-640469-1
- △ SUPERSEDED BY 4-640469-0
- △ SUPERSEDED BY 3-640469-9
- △ SUPERSEDED BY 3-640469-8
- △ SUPERSEDED BY 3-640469-7
- △ SUPERSEDED BY 3-640469-6
- △ SUPERSEDED BY 3-640469-5
- △ SUPERSEDED BY 3-640469-4
- △ SUPERSEDED BY 3-640469-3
- △ SUPERSEDED BY 3-640469-2

THIS DRAWING IS A CONTROLLED DOCUMENT.		DWN S. CARPENTER 22JUL2003	TE Connectivity MTA-100 CONNECTOR ASSEMBLY, 24 AWG, STANDARD, TAPE MOUNTED	
DIMENSIONS: INCHES		CHK D. BOSSI 22JUL2003		
TOLERANCES UNLESS OTHERWISE SPECIFIED:		APVD D. BOSSI 22JUL2003	NAME	
0 PLC ± 1 PLC ± 2 PLC ± 3 PLC ± 0.13 [.005] 4 PLC ± ANGLES ± FINISH ±		PRODUCT SPEC 108-1050	SIZE A2	
MATERIAL		APPLICATION SPEC 114-1019	CAGE CODE 00779	DRAWING NO 640469
		WEIGHT	RESTRICTED TO	SCALE 5:1
		CUSTOMER DRAWING	SHEET 1 of 1	REV AB3