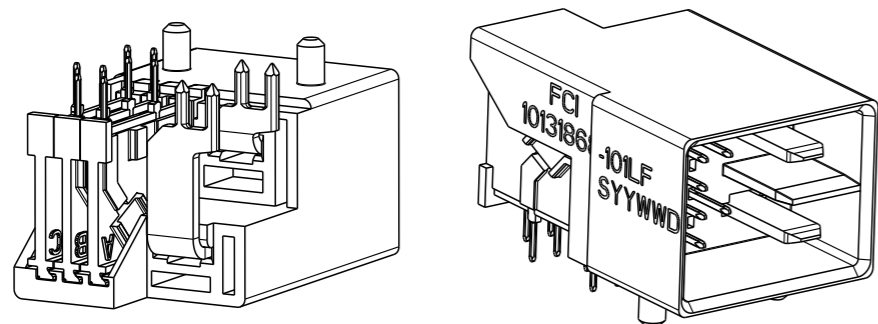
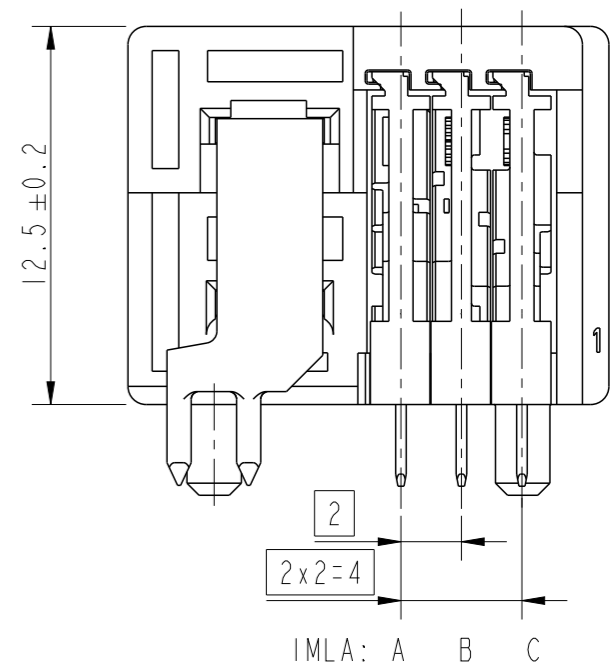
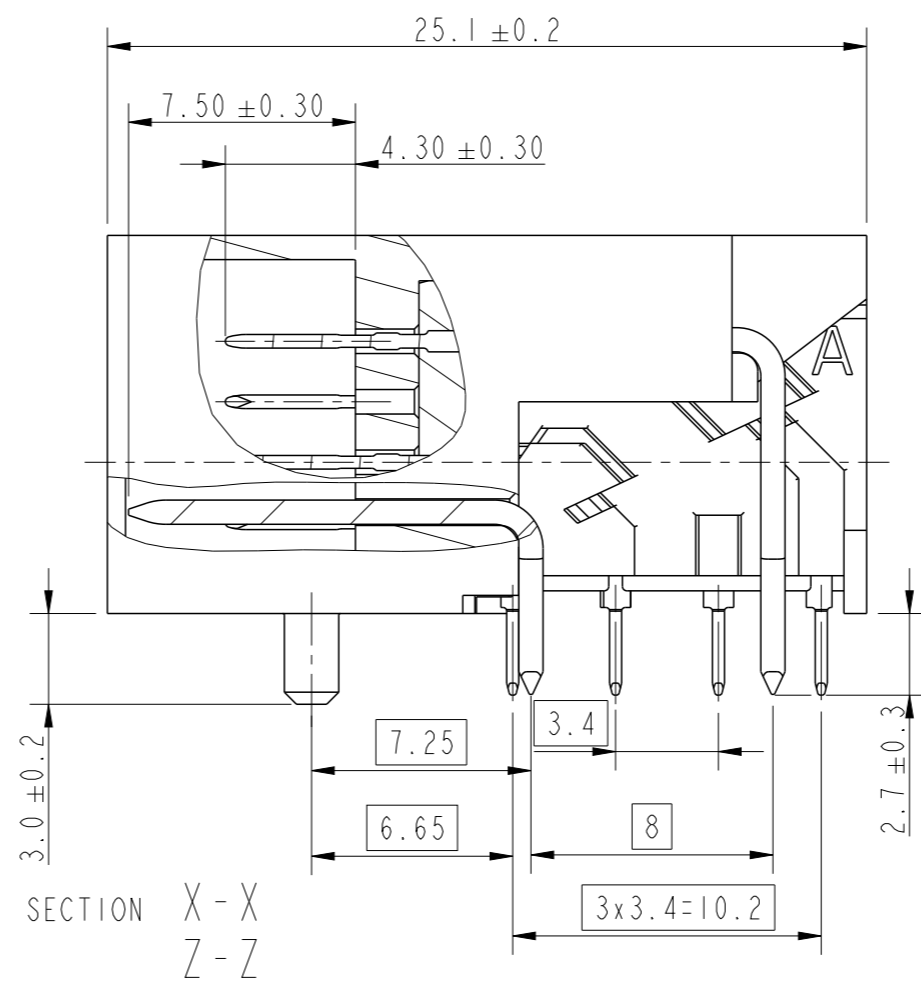
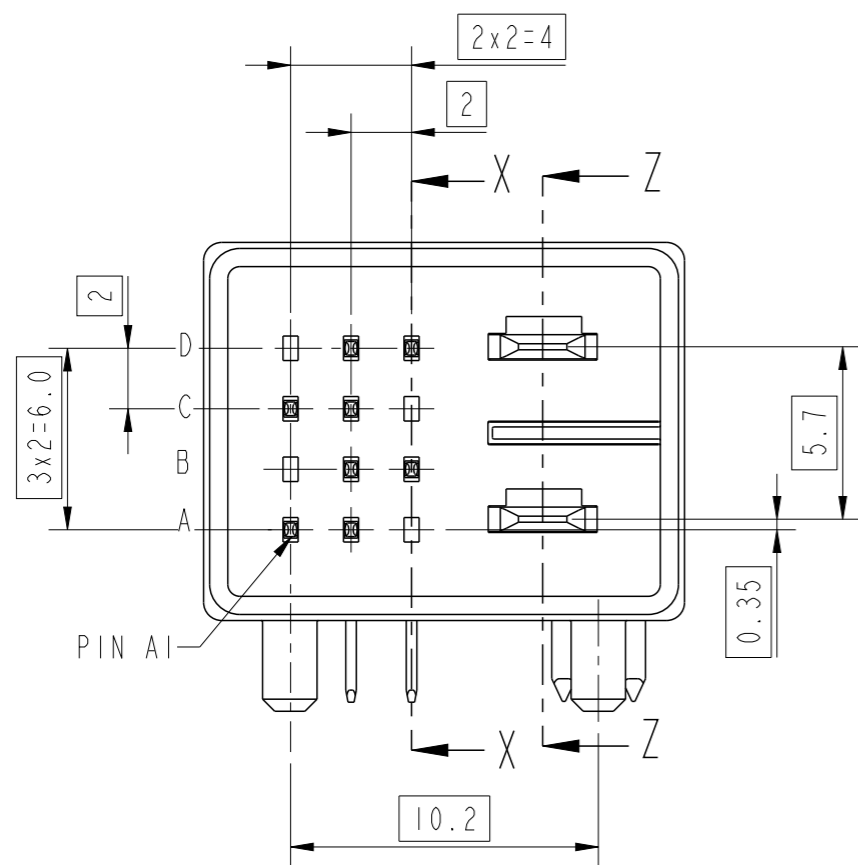
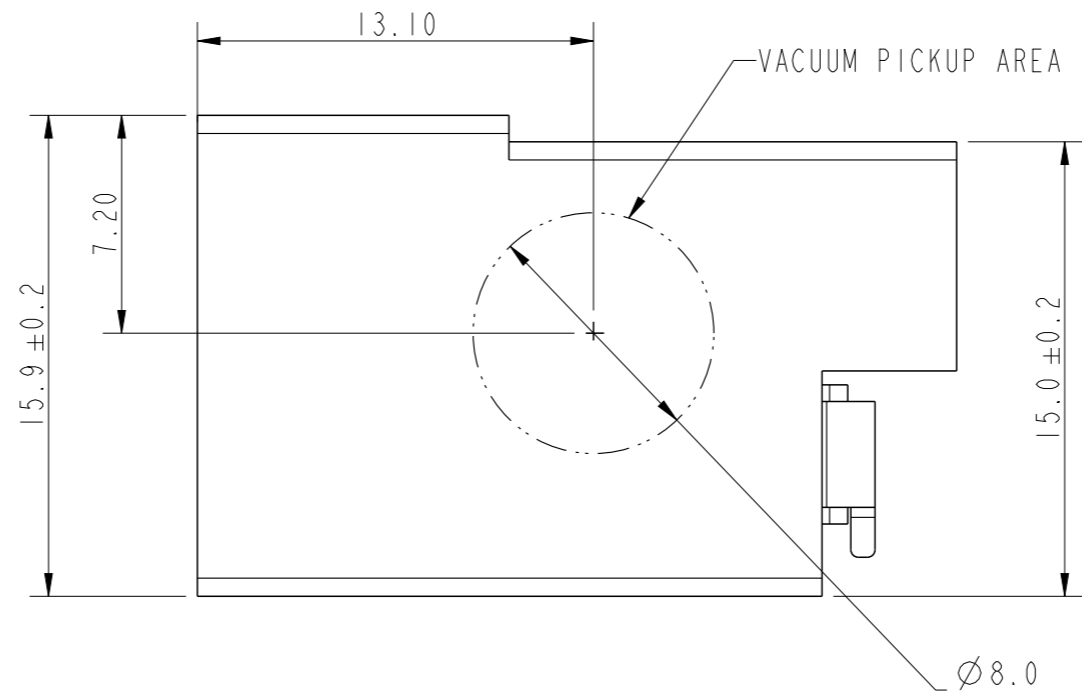
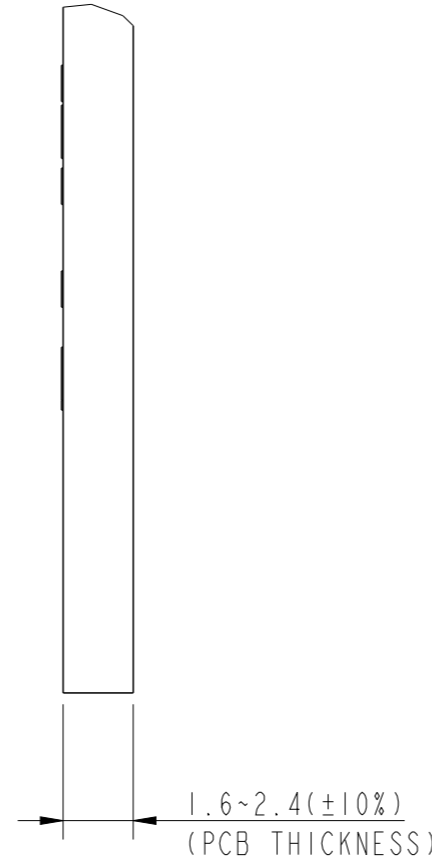
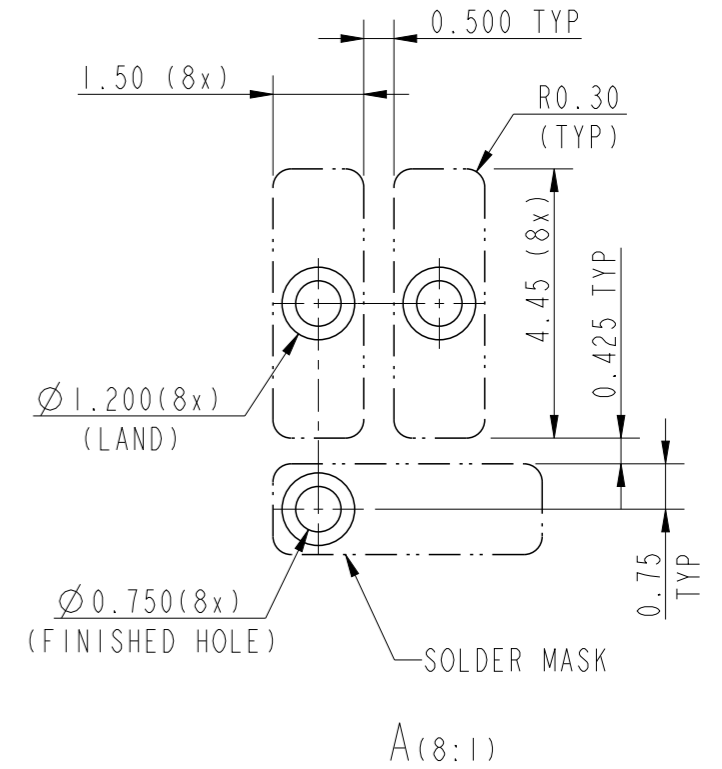
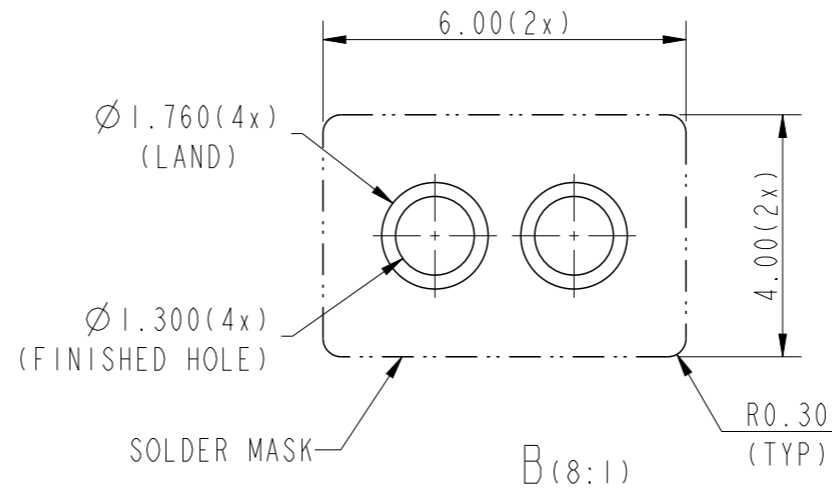
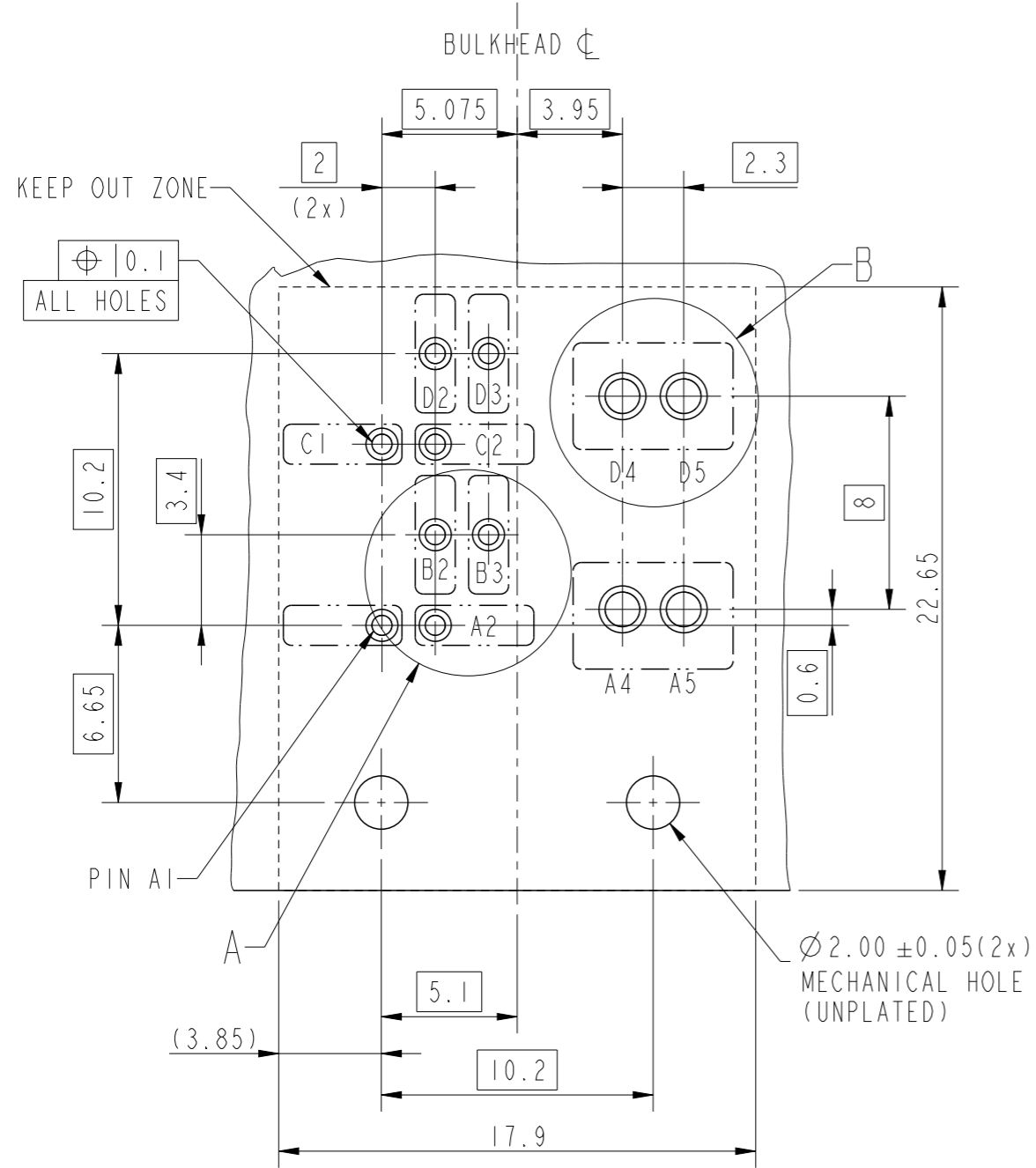


PRODUCT NUMBER
10131868-101LF



spec ref	-	dr	Alosius, Stali	2015/09/23	projection	mm	size	A3	scale	2:1
tolerance std	ISO 406 ISO 1101	eng	Alosius, Stali	2019/08/06			ecn no	ELX-I-34365-2	rel level	Released
TOLERANCES UNLESS OTHERWISE SPECIFIED		chr	-	product family						
surface	linear	0.X	±0.3	Amphenol FCI	HYBRID SIGNAL&POWER OCTIS RA BOARD CONNECTOR 8 SIG 2 PWR PIP TERMINATION	cat. no. -	dwg no 10131868-101	rev D	Product - Customer Drw	sheet 1 of 4
		0.XX	±0.10							
	angular	0°	±2°							

VIEW FROM COMPONENT SIDE



NOTES:

- MATERIAL :
- RESIN - LCP, GLASS FILLED, FLAME RETARDANT ACC
FLAMMABILITY CLASIFICATION - UL94-V0
- SIGNAL & POWER CONTACTS - COPPER ALLOY
- PLATING :
- GOLD OVER PALLADIUM NICKEL ON CONTACT AREA OF SIGNALS
- PURE TIN AT TERMINAL AREA OF SIGNALS
- PURE TIN ON POWER CONTACTS
- PRODUCT SPECIFICATION: GS-12-1334
- APPLICATION SPECIFICATION: GS-20-0454
- PACKAGING - TAPE & REEL
PACKAGING SPECIFICATION: GS-14-2514
- UNDER PLATING FOR CONTACTS - 1.27µm NICKEL.
- PRODUCT WILL WITHSTAND EXPOSURE TO 260° FOR 60 SECONDS IN A CONVECTION, INFRA RED OR VAPOUR PHASE REFLOW OVEN
- PRODUCT WHERE THE PARTNUMBER ENDS IN LF MEETS EUROPEAN DIRECTIVES AND OTHER COUNTRY REGULATIONS AS DESCRIBED IN GS-47-0004.

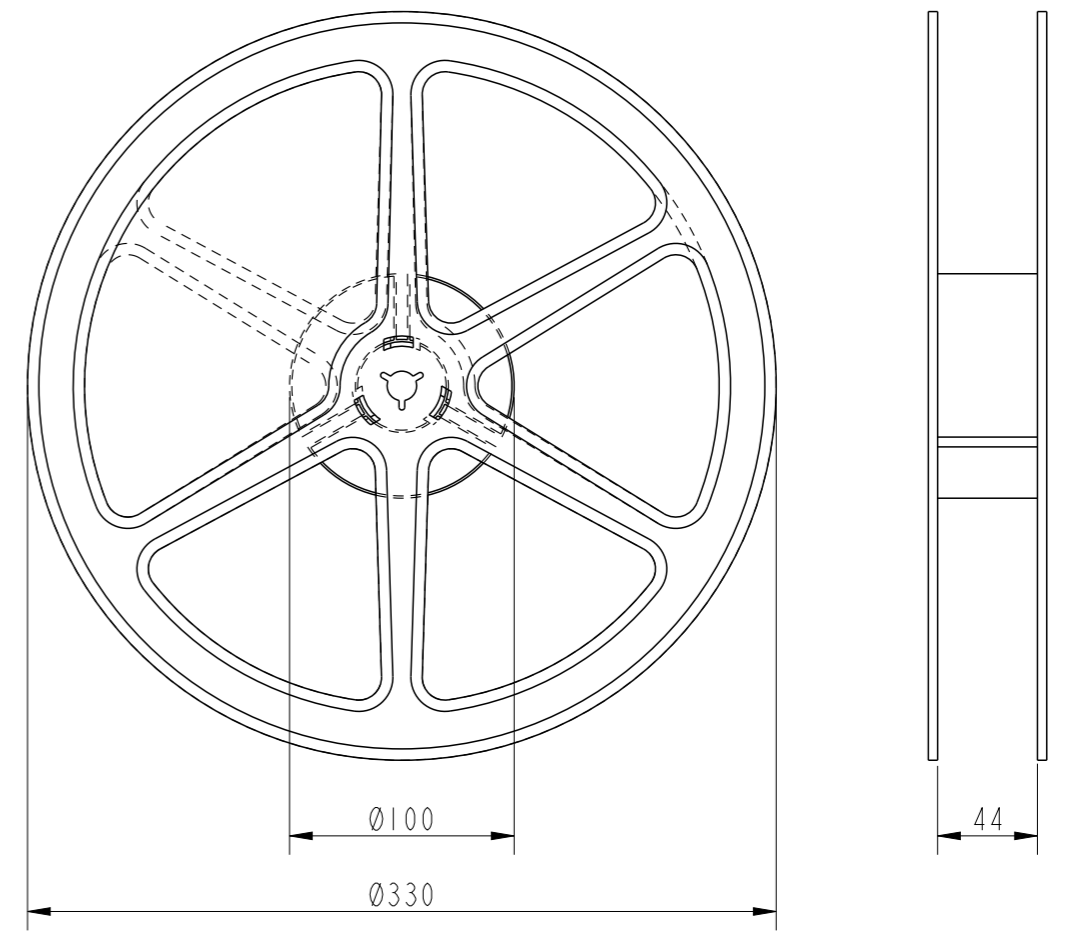
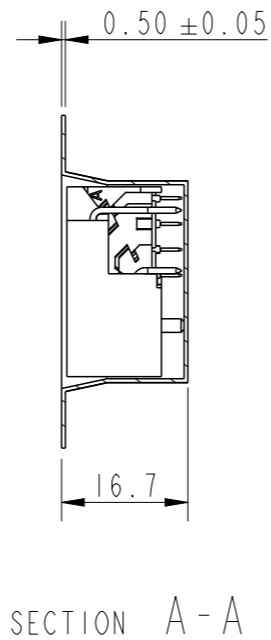
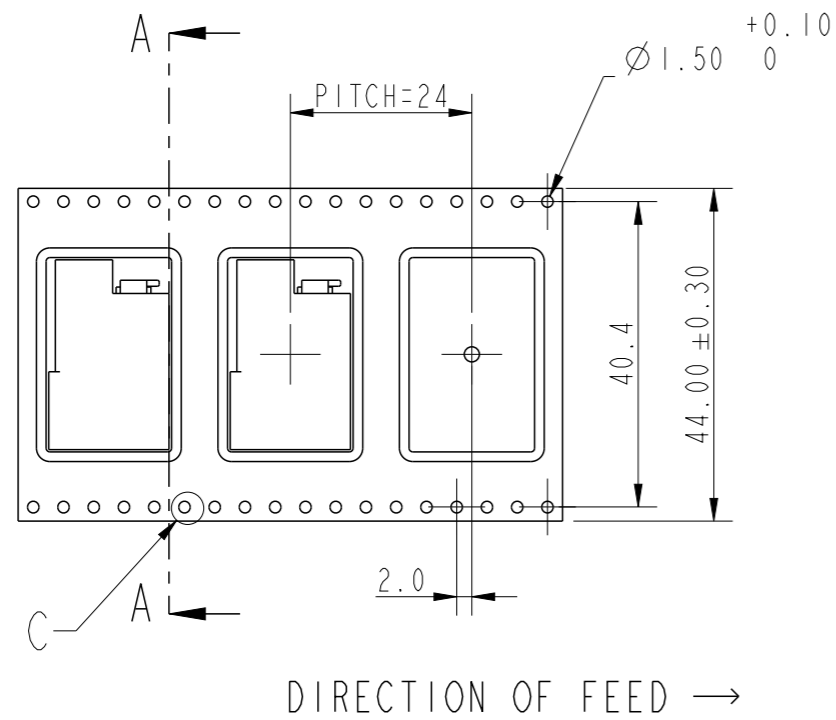
Amphenol FCI

© 2016 AFCI

	SIGNAL PTH DETAILS	POWER PTH DETAILS
DRILLED HOLE	0.82-0.87mm	1.37-1.42mm
COPPER PLATING	25-50µm	25-50µm
TIN PLATING	0.8-1.2µm	0.8-1.2µm
FINISHED HOLE DIA	0.70-0.80mm	1.25-1.35mm

spec ref	-	dr	Alosius, Stali	2015/09/23	projection	mm	size	A3	scale	2:1
tolerance std	ISO 406 ISO 1101	eng	Alosius, Stali	2019/08/06			ecn no	ELX-134365-2	rel level	Released
TOLERANCES UNLESS OTHERWISE SPECIFIED		chr	-	apppr						
surface	ISO 1302	linear	0.X	±0.3		HYBRID SIGNAL&POWER OCTIS RA BOARD CONNECTOR 8 SIG 2 PWR PIP TERMINATION	dwg no	10131868-101	rev	D
			0.XX	±0.10						
		angular	0°	±2°						
cat. no.					-		Product - Customer Drw		sheet 2 of 4	

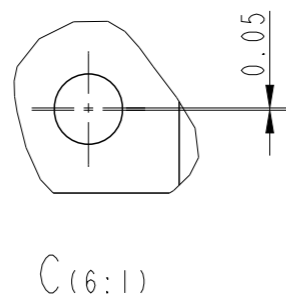
PACKAGING SPECIFICATION



TAPE & REEL PACKING DETAILS

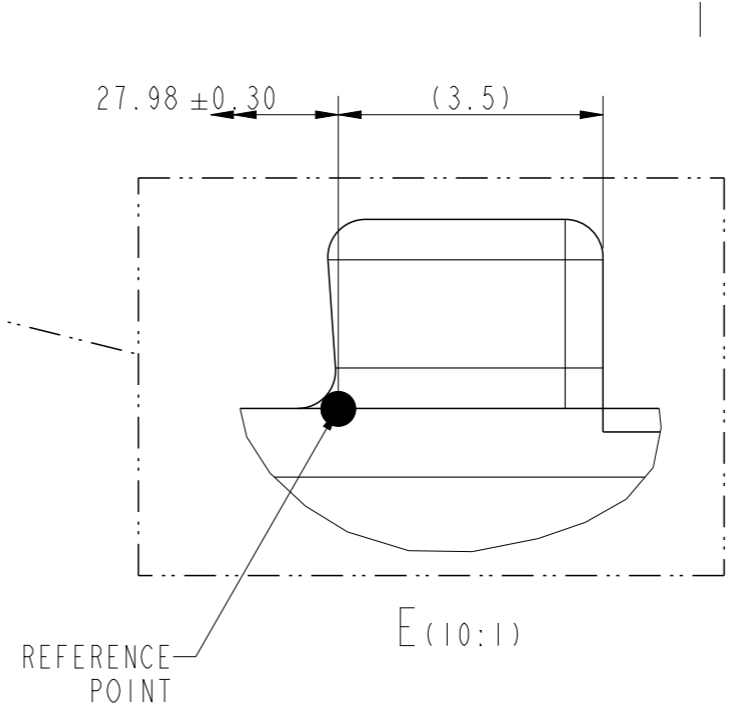
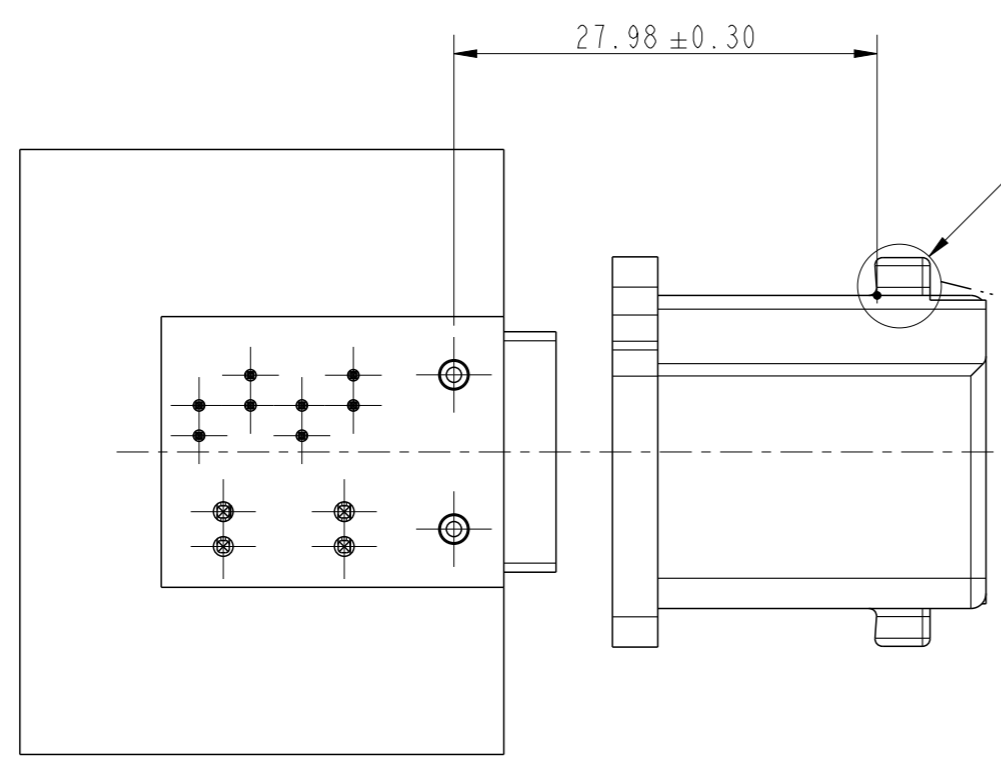
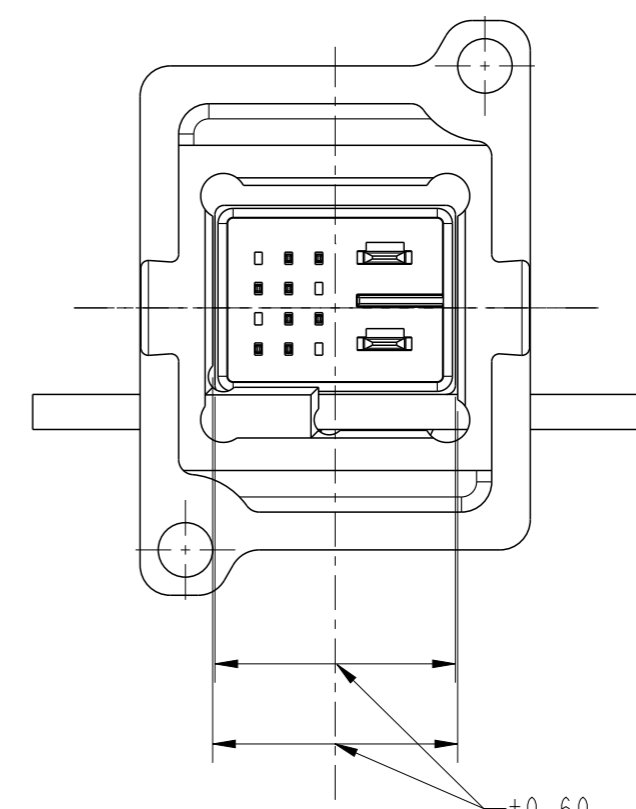
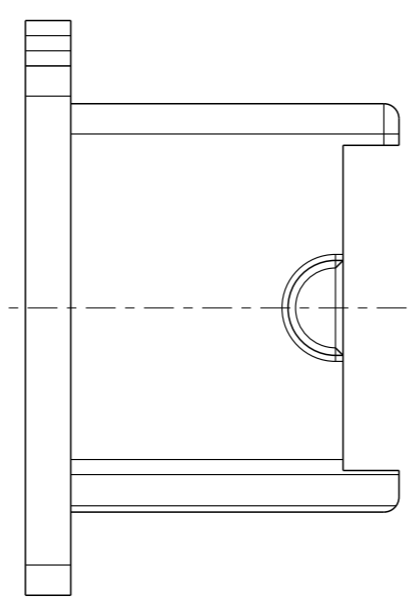
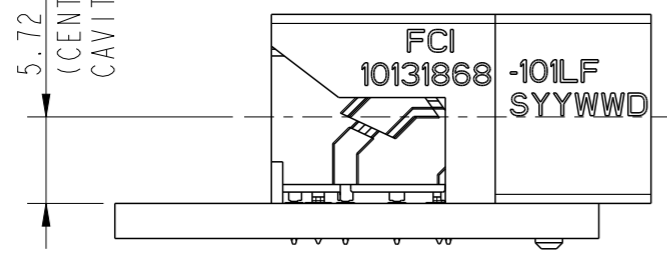
NOTES:

- CONNECTORS PACKED PER REEL : 150 PIECES
- PACKAGING DETAILS AS PER EIA-481 STD.
- PACKING SHOULD BE ANTISTATIC.
- MATERIAL :
CARRIER TAPE : POLYSTYRENE
COVER TAPE : POLYSTYRENE



spec ref	-	dr	Alosius, Stali	2015/09/23	projection	mm	size	A3	scale	1:1	
tolerance std	ISO 406 ISO 1101	eng	Alosius, Stali	2019/08/06			ecn no	ELX-I-34365-2			
TOLERANCES UNLESS OTHERWISE SPECIFIED		chr	-	-			product family	-	rel level	Released	
surface	linear	0.X	±0.3	Amphenol FCI	HYBRID SIGNAL&POWER OCTIS RA BOARD CONNECTOR		dwg no	10131868-101		rev	D
		0.XX	±0.10		8 SIG 2 PWR PIP TERMINATION						
	angular	0°	±2°		cat. no.	-	Product - Customer Drw	sheet 3 of 4			

5.72 ±0.40
(CENTRE OF RECEPTACLE
CAVITY TO PCB TOP)



±0.60
CENTERING OF THE
POWER RECEPTACLE
Vs RECEPTACLE CAVITY

REFERENCE
POINT

spec ref -		dr	Alosius, Stali	2015/09/23	projection	mm	size	A3	scale	1:2		
tolerance std ISO 406 ISO 1101		TOLERANCES UNLESS OTHERWISE SPECIFIED			eng	Alosius, Stali	2019/08/06	ecn no	ELX-I-34365-2			
		chr	-			product family		rel level			Released	
surface		linear	0.X	±0.3	Amphenol FCi	HYBRID SIGNAL&POWER OCTIS RA BOARD CONNECTOR		dwg no	10131868-101		rev	D
			0.XX	±0.10		8 SIG 2 PWR PIP TERMINATION						
			0.XXX	±0.050								
ISO 1302		angular	0°	±2°	cat. no.	Product - Customer Drw			sheet 4 of 4			