

4

3

2

1

THIS DRAWING IS UNPUBLISHED.

RELEASED FOR PUBLICATION

--

© COPYRIGHT - By -

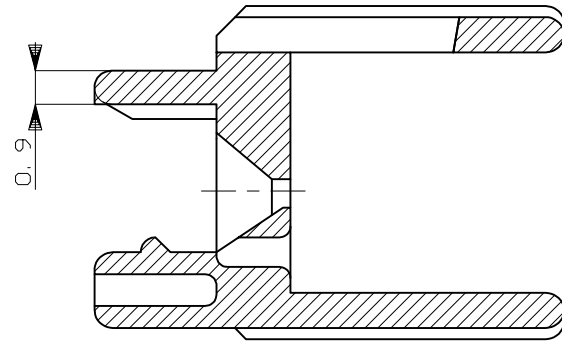
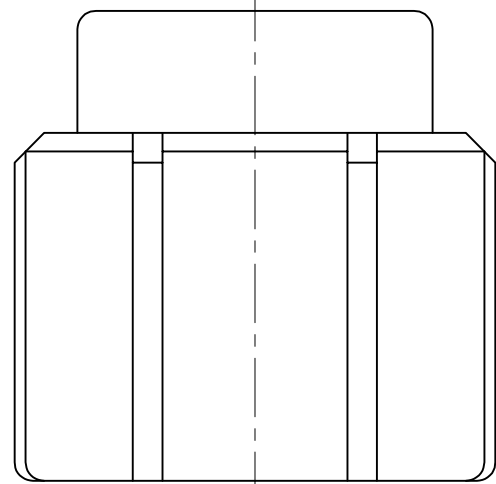
ALL RIGHTS RESERVED.

LOC

DIST

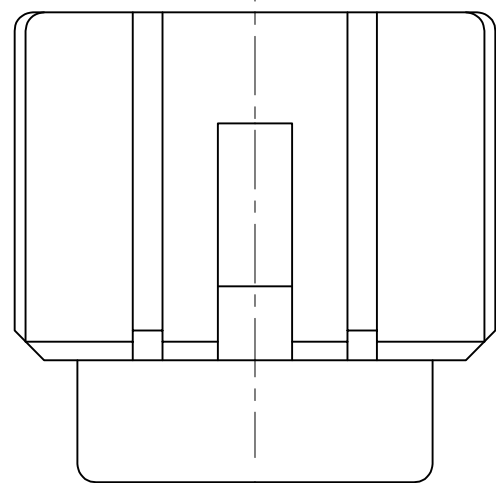
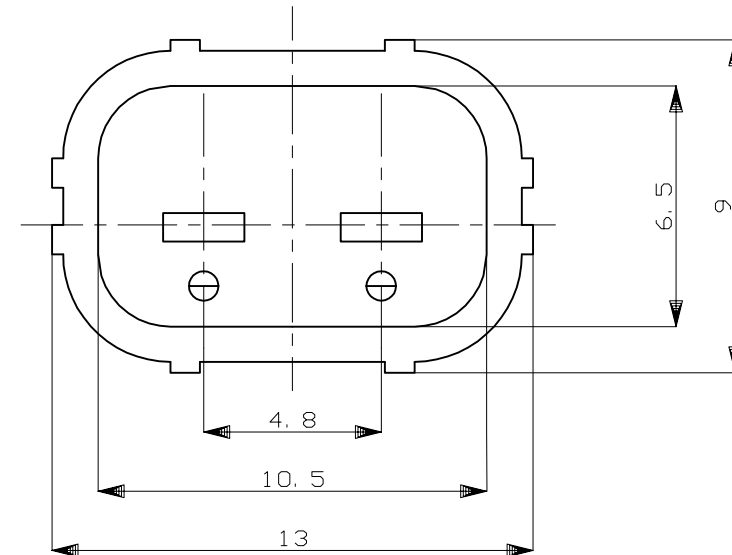
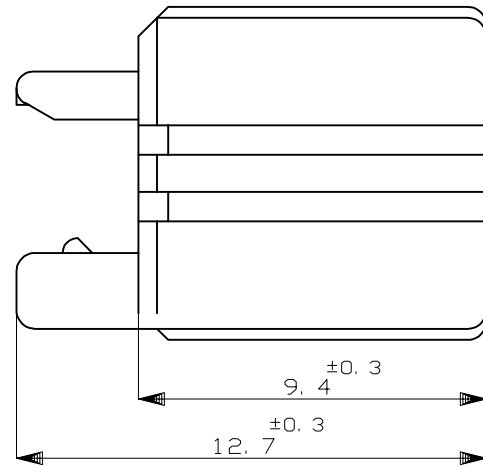
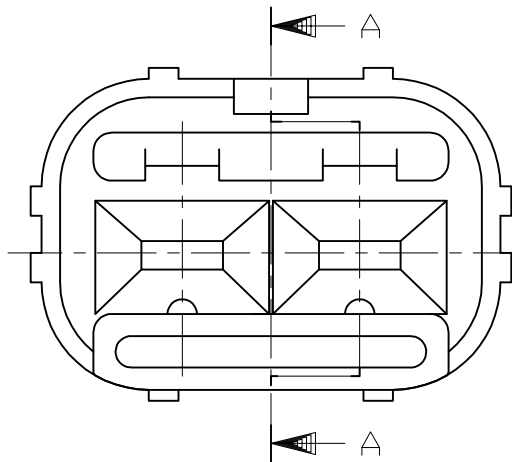
REVISIONS

P	LTR	DESCRIPTION	DATE	DWN	APVD
	C1	REVISED	ECR-15-000191	08JAN2014	TS KB



SECTION 断面 A-A

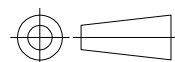
- 1. 本品は、キャップハウジング型番174354に装着される。
- 1. TO BE MATED WITH CAP HOUSING (PN:174354)



HB	自然色 (NATURAL)	1-174355-1
V-2	黄 (YELLOW)	174355-7
使用材料難燃グレード (FLAMMABILITY OF MATERIAL)	色 (COLOR)	型番 (PART NUMBER)

THIS DRAWING IS A CONTROLLED DOCUMENT.

DIMENSIONS: mm



TOLERANCES UNLESS OTHERWISE SPECIFIED:

0 PLC	±
1 PLC	±
2 PLC	±
3 PLC	±
4 PLC	±
ANGLES	±

MATERIAL PBT

FINISH -

DWN K.ODA 8/19'87

CHK Y.MATSUSAKA 8/24'87

APVD M.NOGUCHI 8/25'87

PRODUCT SPEC 108-5262

APPLICATION SPEC

WEIGHT -

CUSTOMER DRAWING

NAME
STE TE Connectivity
 2P. ECONOSEAL J-MARKII+ CONNECTOR
 DOUBLE LOCK PLATE FOR CAP HOUSING

SIZE A3	CAGE CODE 00779	DRAWING NO C-174355	RESTRICTED TO -
---------	-----------------	---------------------	-----------------

GENERAL TOLERANCE

0 < * ≤ 10	: ±0.2
10 < * ≤ 30	: ±0.25
30 < * ≤ 100	: ±0.3
ANGLES	: ±3°

SCALE 5:1	SHEET 1 of 1	REV C1
-----------	--------------	--------

Mouser Electronics

Authorized Distributor

Click to View Pricing, Inventory, Delivery & Lifecycle Information:

[TE Connectivity:](#)

[1-174355-1](#)