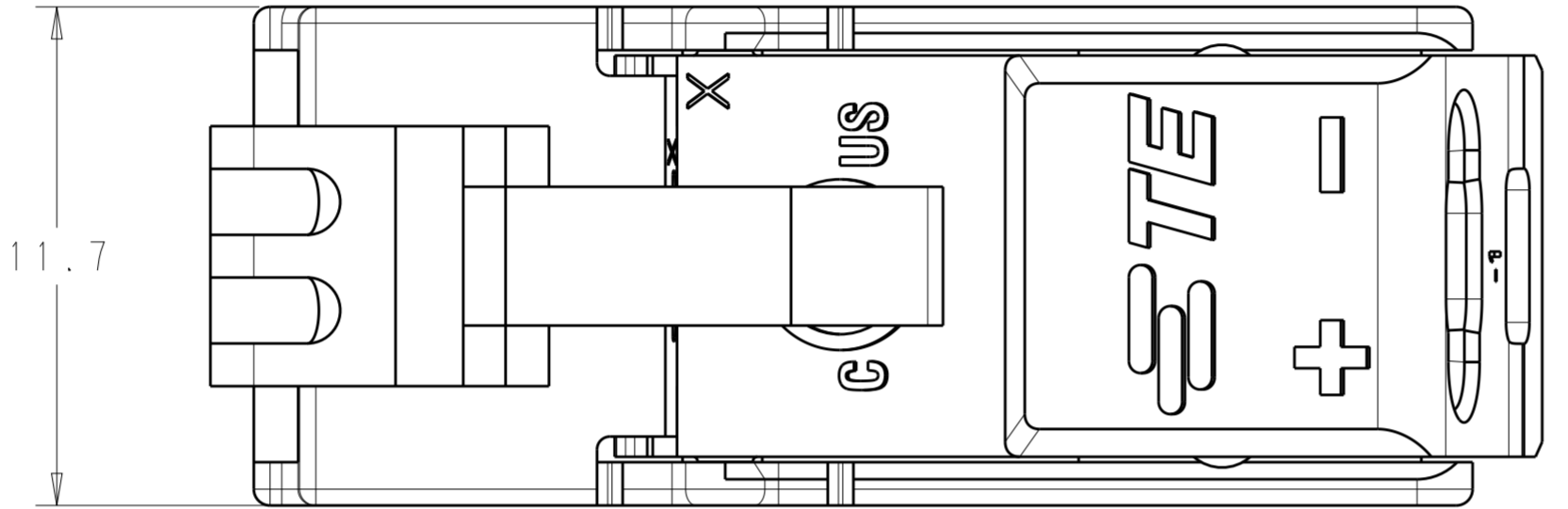
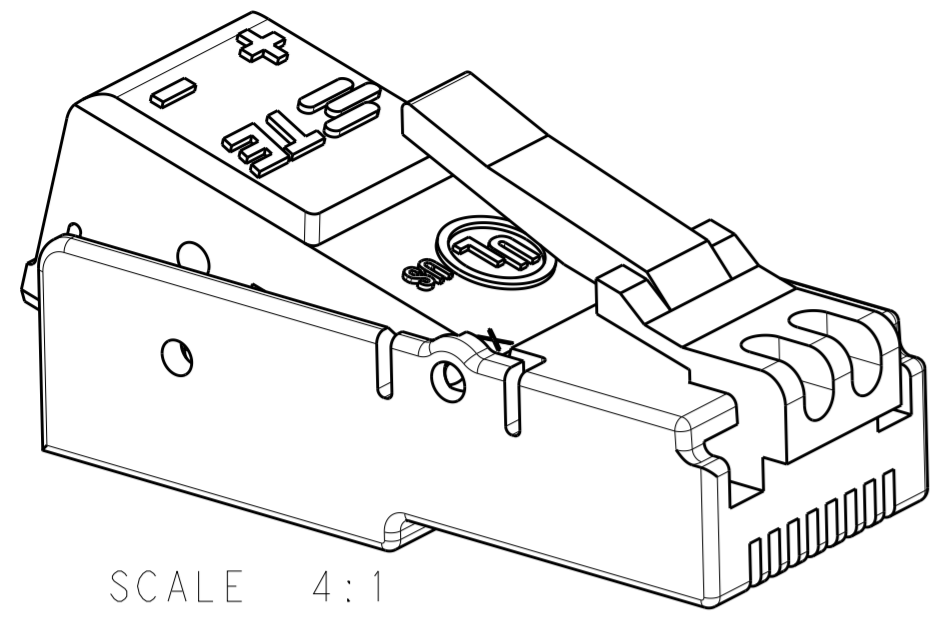
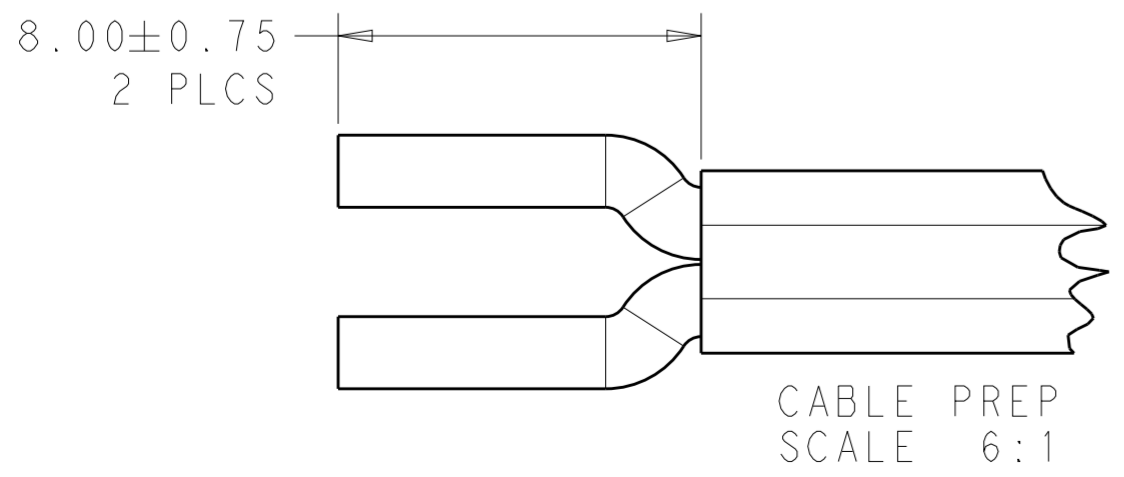
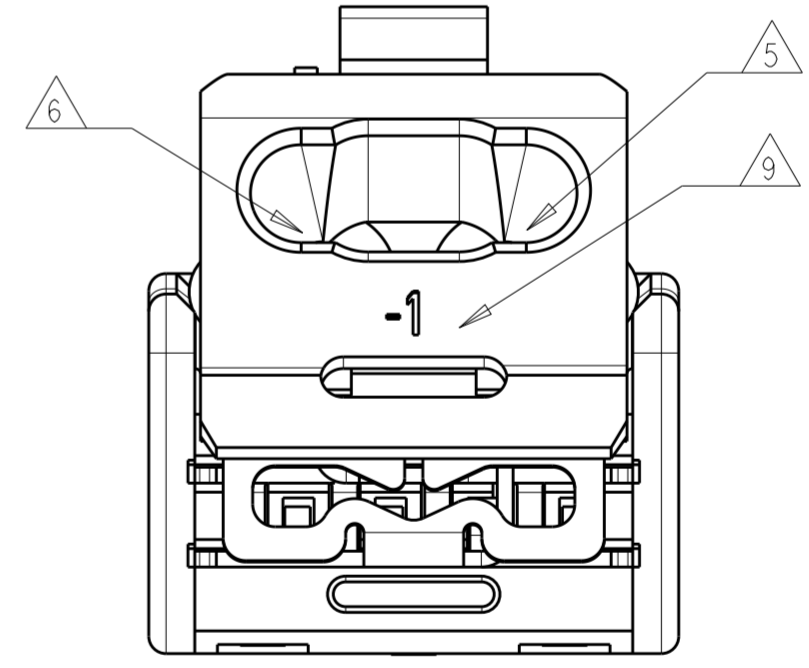
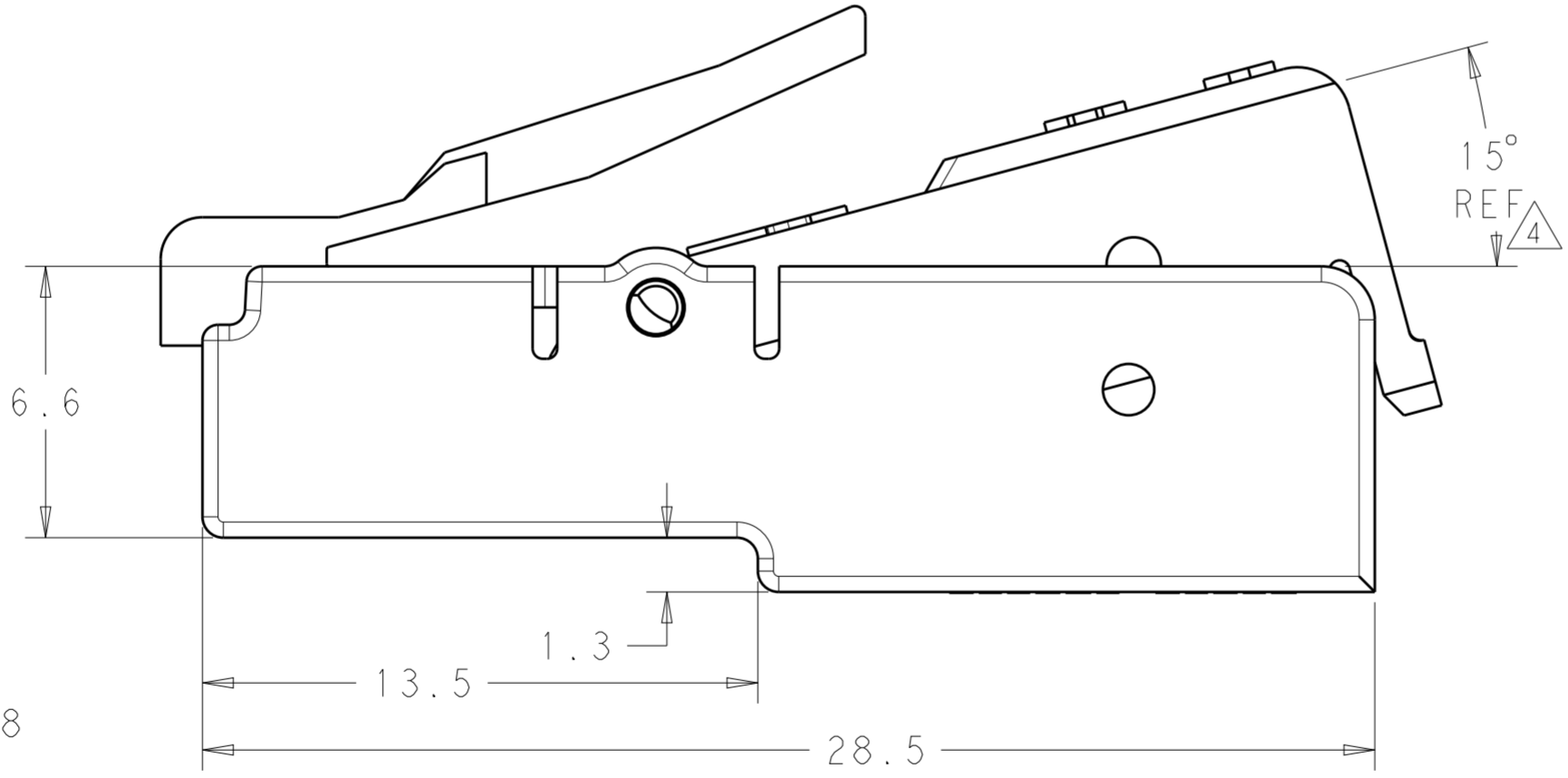
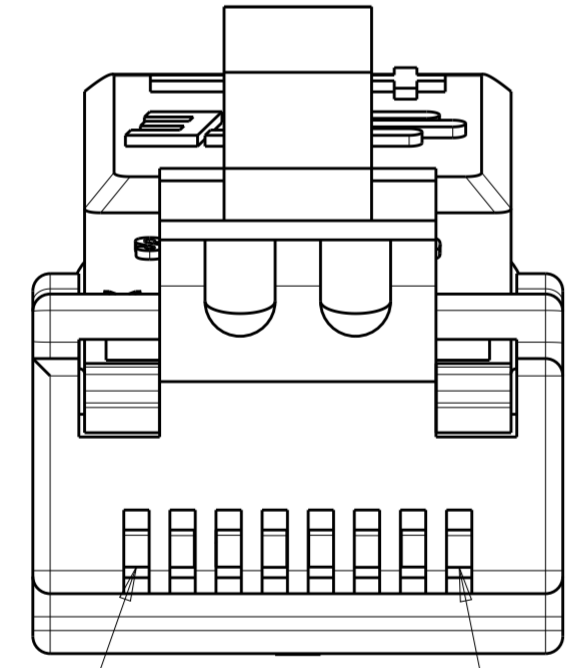


THIS DRAWING IS UNPUBLISHED. RELEASED FOR PUBLICATION 20  
 © COPYRIGHT 20 BY - ALL RIGHTS RESERVED.

REVISIONS							
LOC	DIST	P	LTR	DESCRIPTION	DATE	DWN	APVD
-	-	A		REVISED PER ECR-13-018848	09DEC2013	RS	DD



- 1 MATERIALS AND FINISH:  
 -HOUSING: PC, COLOR: ORANGE  
 -STUFFER: PC, COLOR: REFERENCE TABLE  
 -CONTACTS: COPPER ALLOY, FINISH: Sn OVER Ni WITH Au/Pd Ni ON CONTACT MATING INTERFACE
- 2. MUST COMPLY WITH DIRECTIVE 2002/95/EC (ROHS)
- 3. THIS PRODUCT HAS NOT COMPLETED VALIDATION TESTING
- 4 STUFFER SHOWN IN AS SUPPLIED CONDITION
- 5 WIRE ENTRY POSITION TO INTERFACE POSITIONS 1, 3, 5, 7
- 6 WIRE ENTRY POSITION TO INTERFACE POSITIONS 2, 4, 6, 8
- 7 DESIGNED FOR USE WITH BELDEN 6300UE CABLE WITH 2 - 18AWG CONDUCTORS
- 8 DESIGNED FOR USE WITH LEONI H03VVH2-F CABLE WITH 2 - 0.75mm<sup>2</sup> CONDUCTORS
- 9 APPROPRIATE ASSEMBLY DASH PART NUMBER (-1 OR -2) INDICATOR THIS AREA



BLUE	8	2213145-2
CLEAR	7	2213145-1
STUFFER COLOR	CABLE	PART NO.

THIS DRAWING IS A CONTROLLED DOCUMENT.		DWN C. DAILY 30AUG2012	TE Connectivity	
		CHK E. HOWARD 30AUG2012		
DIMENSIONS:	TOLERANCES UNLESS OTHERWISE SPECIFIED:	APVD	NAME	
mm	0 PLC ± 1 PLC ±0.2 2 PLC ±0.15 3 PLC ± 4 PLC ± ANGLES ±2° FINISH	PRODUCT SPEC 108-133010	CONNECTOR ASSEMBLY, PIVOT POWER RJ45	
MATERIAL		APPLICATION SPEC 114-32052	SIZE A200779	DRAWING NO C-2213145
		WEIGHT	RESTRICTED TO	
		Customer Drawing	SCALE 6:1	SHEET 1 OF 1 REV A

# Mouser Electronics

Authorized Distributor

Click to View Pricing, Inventory, Delivery & Lifecycle Information:

[TE Connectivity:](#)

[2213145-1](#)